



TECHNICAL DATA

Operating range:

from 10 to 120 litres/min. with head up to 72 m.

Liquid quality requirements: clean, free from solid or abrasive contaminants, non-viscous, non-aggressive, uncrystallised and chemically neutral, close to the properties of water.

Liquid temperature range:

for domestic use: from 0°C to +35°C (EN 60335-2-41)

for other use: from 0°C to +40°C

Maximum ambient temperature: +40°C

Maximum operating pressure: 8 bar (800 kPa)

Installation: fixed or portable in a horizontal position.

Motor protection rating: IP 44

Terminal block protection rating: IP 55

Insulation class: F

Standard input voltage: single phase 220-240 V / 50 Hz - 2 poles
three phase 230/400 V - 50 Hz - 2 poli

APPLICATIONS

Multi-stage centrifugal pump with horizontal shaft, featuring extremely quiet operation suitable for domestic water supply and pressurisation, irrigation of gardens and general water movement.

CONSTRUCTIONAL FEATURES OF THE PUMP

Pump body in 200 UNI ISO 185 cast iron. Motor support in die cast aluminium, with seal holder cover in AISI 304 stainless steel. Carbon/ceramic mechanical seal. Rotor shaft in AISI 304 stainless steel. Impeller and diffuser bodies and diffuser in technopolymer. Stainless steel wear ring.

CONSTRUCTIONAL FEATURES OF THE MOTOR

Asynchronous, continuous service motor.

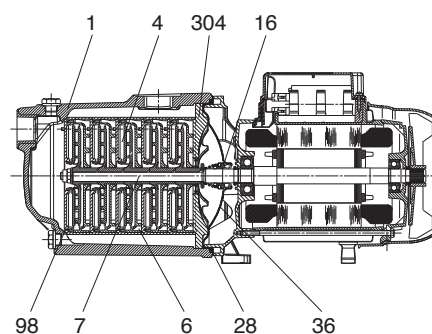
Incorporated thermo-amperometric protection and permanently inserted capacitor in the single phase version.

Overload protection to be provided by the user for the three-phase version.

MATERIALS

N°	PARTS *	MATERIALS
1	PUMP BODY	200 UNI ISO 185 CAST IRON
4	IMPELLER	TECHNOPOLYMER
6	DIFFUSER	TECHNOPOLYMER
7	SHAFT WITH ROTOR	AISI 304 STAINLESS STEEL X5CrNi 1810 UNI 6900/71
16	MECHANICAL SEAL	CARBON/CERAMIC
28	OR GASKET	NBR
36	SEAL HOLDER COVER	AISI 304 STAINLESS STEEL X5CrNi 1810 UNI 6900/71
98	DIFFUSER BODY	TECHNOPOLYMER
304	REAR DISC	TECHNOPOLYMER

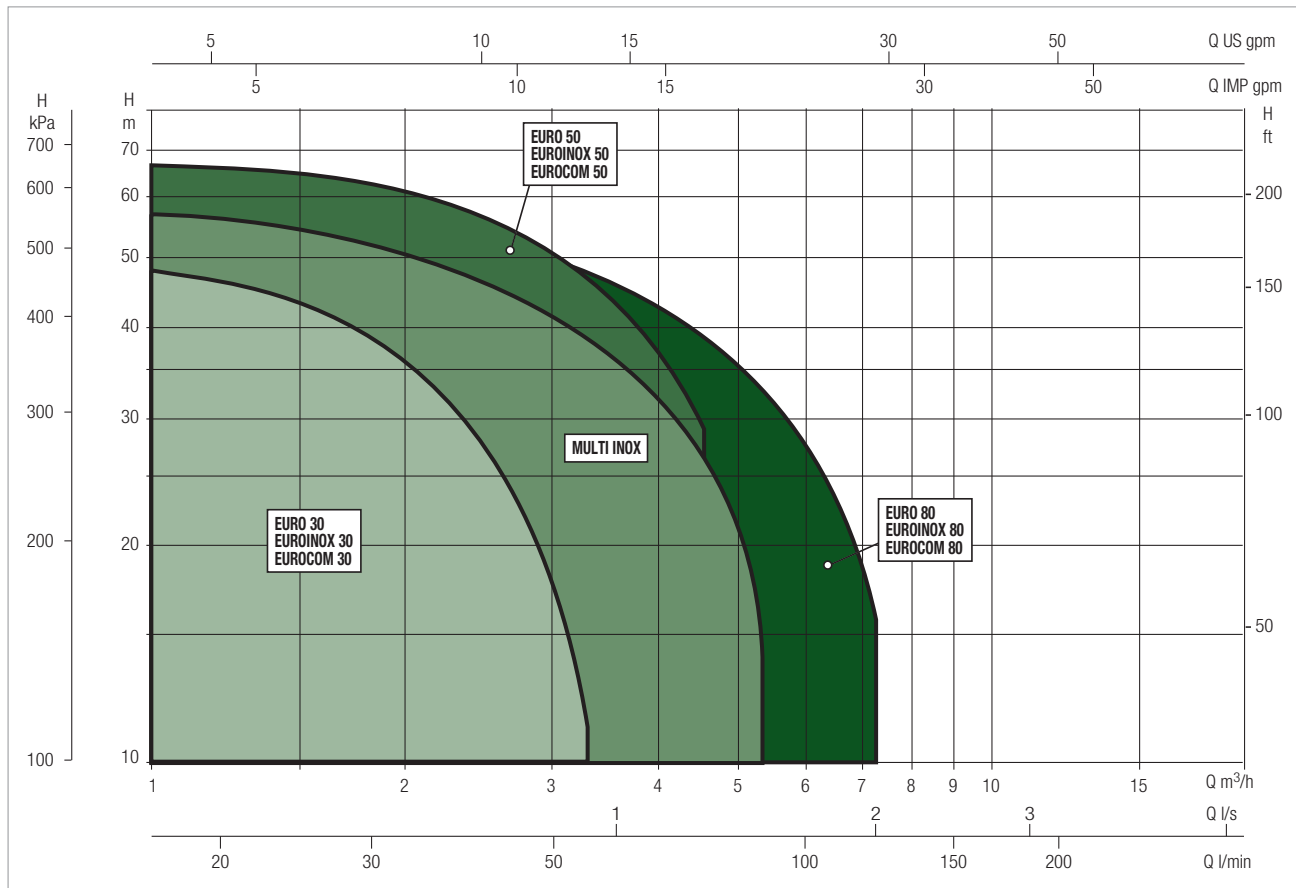
* In contact with liquid



PERFORMANCE RANGE

The performance curves are based on kinematic viscosity values = 1 mm²/s and density equivalent to 1000 kg/m³. Curve tolerance according to ISO 9906.

GRAPHIC SELECTION TABLE

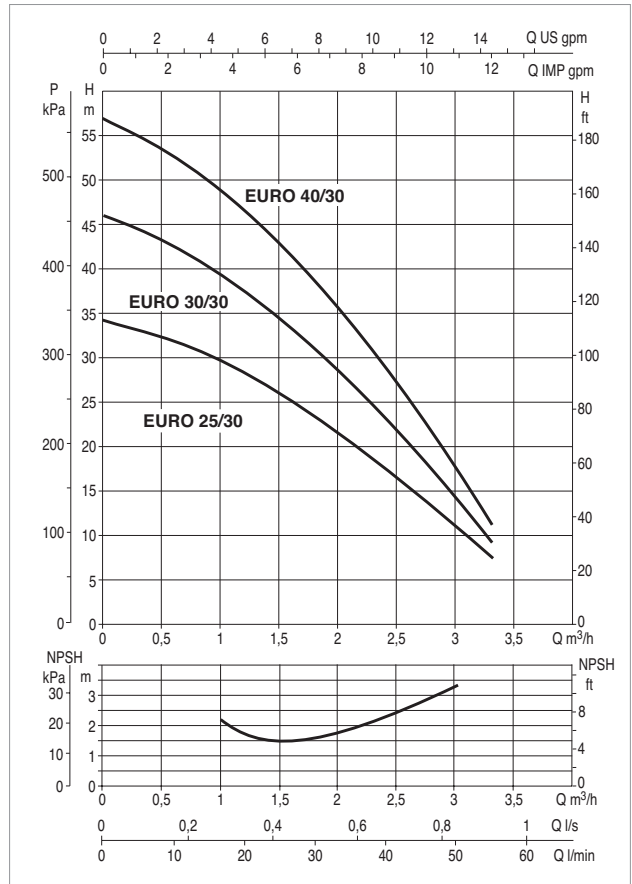
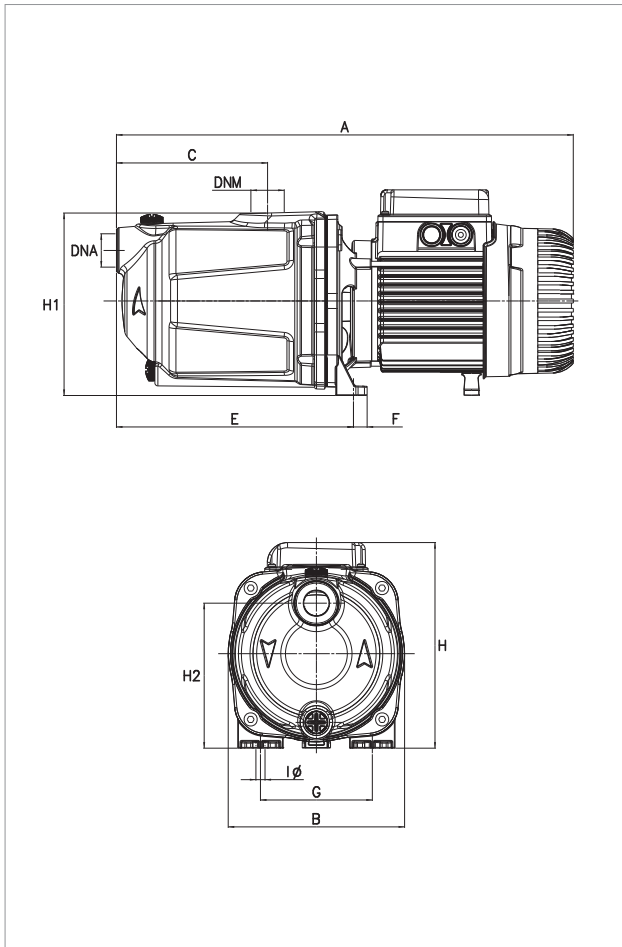


EURO SELECTION TABLE

MODEL	Q=m ³ /h	0	0.6	1.2	1.8	2.4	3.0	3.6	4.2	4.8	6	7.2
	Q=l/min	0	10	20	30	40	50	60	70	80	100	120
EURO 25/30 M	H (m)	34.4	31.7	28.3	23.5	17.5	11					
EURO 30/30 M		46	42.2	37.8	31.2	23.3	14.3					
EURO 40/30 M		57	52.7	47	38.8	29	17.7					
EURO 30/50 M		42.5	40.2	38.2	36.2	33.8	30	24.8	19.5	14		
EURO 40/50 M		57.5	55.3	52.8	50.1	47.1	42.7	35.8	28	19		
EURO 40/50 T		57.5	55.3	52.8	50.1	47.1	42.7	35.8	28	19		
EURO 50/50 M		72	68.5	65.5	62.1	58.2	52.2	43.6	34.5	26		
EURO 50/50 T		72	68.5	65.5	62.1	58.2	52.2	43.6	34.5	26		
EURO 30/80 M		47		46.5	45	43.5	41	38	34.5	31	23	12
EURO 30/80 T		47		46.5	45	43.5	41	38	34.5	31	23	12
EURO 40/80 M		59		57	56	54	51	47	43.5	39	29.5	16.5
EURO 40/80 T		59		57	56	54	51	47	43.5	39	29.5	16.5

EURO 30-SELF-PRIMING CENTRIFUGAL ELECTRIC PUMPS FOR DOMESTIC WATER SUPPLY

Liquid temperature range pumped: from 0 °C to +35 °C - Maximum ambient temperature: +40°C



The performance curves are based on the kinematic viscosity values = 1 mm²/s and density equivalent to 1000 kg/m³. Curve tolerance according to ISO 9906.

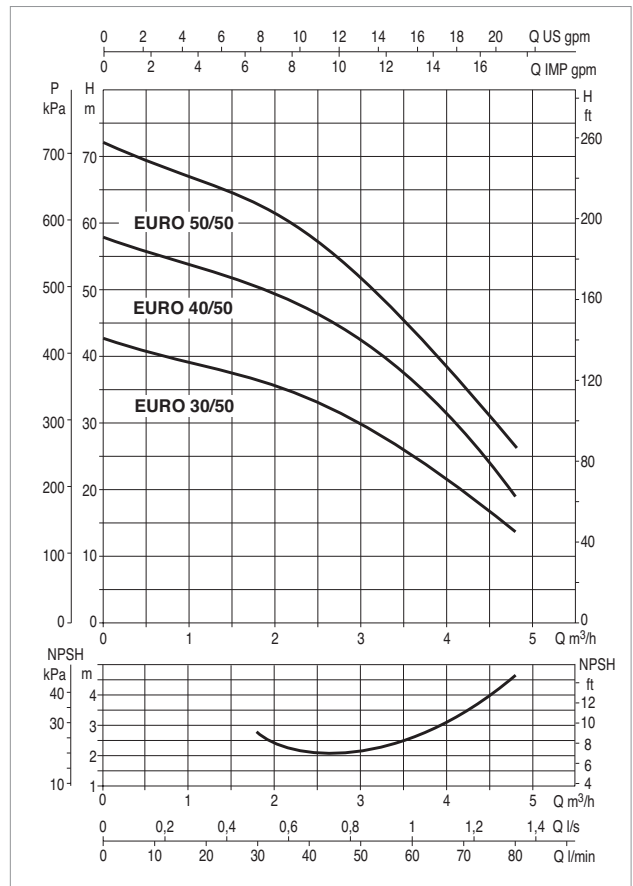
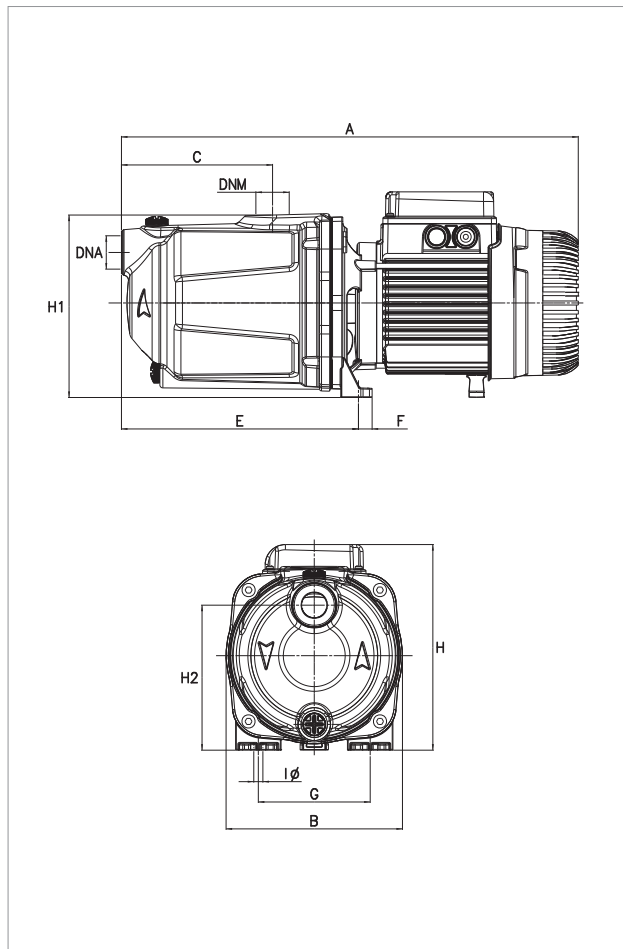
MODEL	ELECTRICAL DATA							
	N° IMPELLER	POWER SUPPLY 50 Hz	P1 MAX KW	P2 NOMINAL		In A	CAPACITOR	
				kW	HP		µF	Vc
EURO 25/30 M	3	1 x 220 - 240 V ~	0.510	0.37	0.5	2.4	10	450
EURO 30/30 M	4	1 x 220 - 240 V ~	0.74	0.45	0.6	3.2	12.5	450
EURO 40/30 M	5	1 x 220 - 240 V ~	0.870	0.55	0.75	3.9	12.5	450

MODEL	A	B	C	E	F	G	I Ø	H	H1	H2	DNA GAS	DNM GAS	PACK DIMENSIONS			VOLUME (mc)	GROSS WEIGHT Kg
													L/A	L/B	H		
EURO 25/30 M	378	175	94.5	180	13.5	111	9	194	179	143.5	1"	1"	440	206	245	0.025	10.7
EURO 30/30 M	433	175	149.5	235	13.5	111	9	194	179	143.5	1"	1"	480	212	265	0.031	12.7
EURO 40/30 M	433	175	149.5	235	13.5	111	9	194	179	143.5	1"	1"	480	212	265	0.031	12.8

EURO 50-SELF-PRIMING CENTRIFUGAL ELECTRIC PUMPS FOR DOMESTIC WATER SUPPLY

Liquid temperature range pumped: from 0 °C to +35 °C - Maximum ambient temperature: +40°C

SELF-PRIMING AND MULTISTAGE CENTRIFUGAL PUMPS



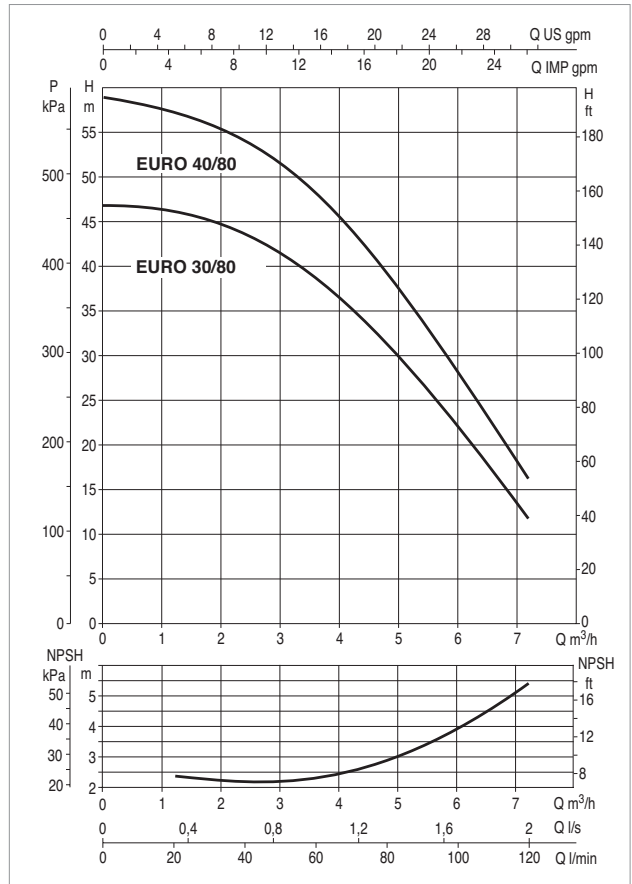
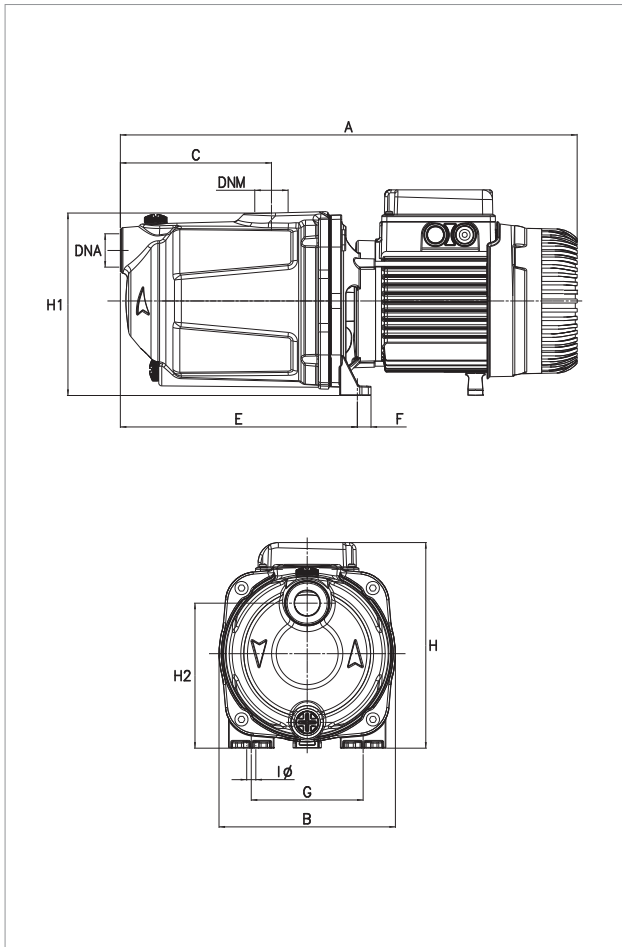
The performance curves are based on the kinematic viscosity values = 1 mm²/s and density equivalent to 1000 kg/m³. Curve tolerance according to ISO 9906.

MODEL	N° IMPELLER	POWER SUPPLY 50 Hz	P1 MAX KW	ELECTRICAL DATA				
				P2 NOMINAL		In A	CAPACITOR	
				kW	HP		µF	Vc
EURO 30/50 M	3	1 x 220 - 240 V ~	0.880	0.55	0.75	3.9	12.5	450
EURO 40/50 M	4	1 x 220 - 240 V ~	1.200	0.75	1	5.3	25	450
EURO 40/50 T		3 x 230 - 240 V ~	1.180	0.75	1	3.8-2.2	-	-
EURO 50/50 M	5	1 x 220 - 240 V ~	1.480	1	1.36	6.3	25	450
EURO 50/50 T		3 x 230 - 400 V ~	1.440	1	1.36	4.4-2.5	-	-

MODEL	A	B	C	E	F	G	I Ø	H	H1	H2	DNA GAS	DNM GAS	PACK DIMENSIONS			VOLUME (mc)	GROSS WEIGHT Kg
													L/A	L/B	H		
EURO 30/50 M	378	175	94.5	180	13.5	111	9	194	179	143.5	1"	1"	440	206	245	0.025	11.7
EURO 40/50 M	452	175	149.5	235	13.5	111	9	204	179	143.5	1"	1"	480	212	265	0.031	15.6
EURO 40/50 T	468	175	149.5	235	13.5	111	9	204	179	143.5	1"	1"	560	240	227	0.031	18
EURO 50/50 M	452	175	149.5	235	13.5	111	9	204	179	143.5	1"	1"	480	212	265	0.031	16.2
EURO 50/50 T	468	175	149.5	235	13.5	111	9	204	179	143.5	1"	1"	560	240	227	0.031	18.5

EURO 80-SELF-PRIMING CENTRIFUGAL ELECTRIC PUMPS FOR DOMESTIC WATER SUPPLY

Liquid temperature range pumped: from 0 °C to +35 °C - Maximum ambient temperature: +40°C



The performance curves are based on the kinematic viscosity values = 1 mm²/s and density equivalent to 1000 kg/m³. Curve tolerance according to ISO 9906.

MODEL	N° IMPELLER	POWER SUPPLY 50 Hz	P1 MAX KW	ELECTRICAL DATA				
				P2 NOMINAL		In A	CAPACITOR	
				kW	HP		µF	Vc
EURO 30/80 M	4	1 x 220 - 240 V ~	1.2	0.8	1.1	5.3	25	450
EURO 30/80 T		3 x 230 - 400 V ~	1.18	0.8	1.1	3.8-2.2	-	-
EURO 40/80 M	5	1 x 220 - 240 V ~	1.48	1	1.36	6.3	25	450
EURO 40/80 T		3 x 230 - 400 V ~	1.44	1	1.36	4.4-2.5	-	-

MODEL	A	B	C	E	F	G	I Ø	H	H1	H2	DNA GAS	DNM GAS	PACK DIMENSIONS			VOLUME (mc)	GROSS WEIGHT Kg
													L/A	L/B	H		
EURO 30/80 M	452	175	149.5	235	13.5	111	9	204	179	143.5	1"	1"	440	212	265	0.031	15.6
EURO 30/80 T	468	175	149.5	235	13.5	111	9	204	179	143.5	1"	1"	560	240	227	0.031	18
EURO 40/80 M	452	175	149.5	235	13.5	111	9	204	179	143.5	1"	1"	480	212	265	0.031	16.3
EURO 40/80 T	468	175	149.5	235	13.5	111	9	204	179	143.5	1"	1"	560	240	227	0.031	18