

MIXER BRACKET SYSTEM

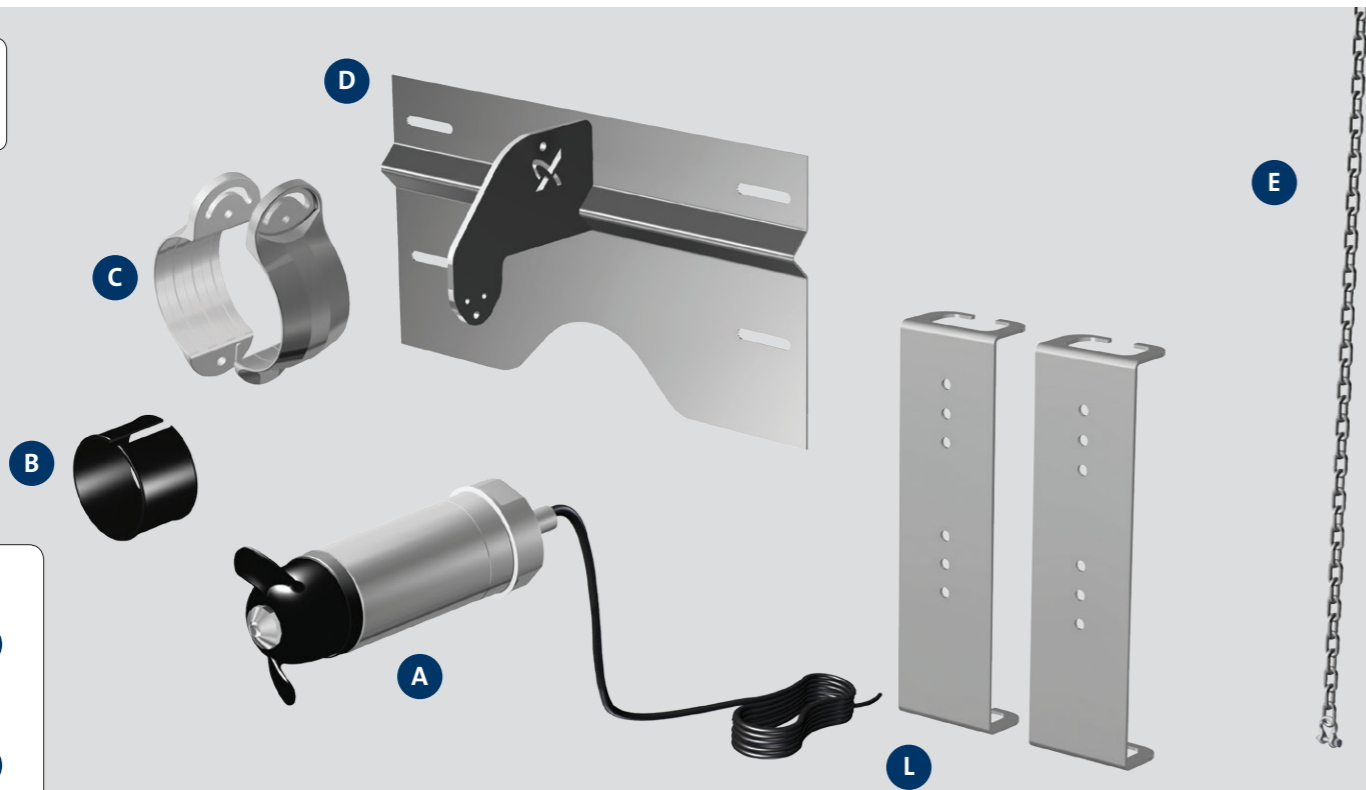
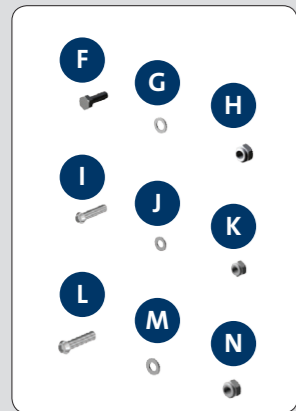
DN25/DN40/DN50 GUIDERAILS

Further product
documentation



net.grundfos.com/qr/i/96526302

1 inch / DN25

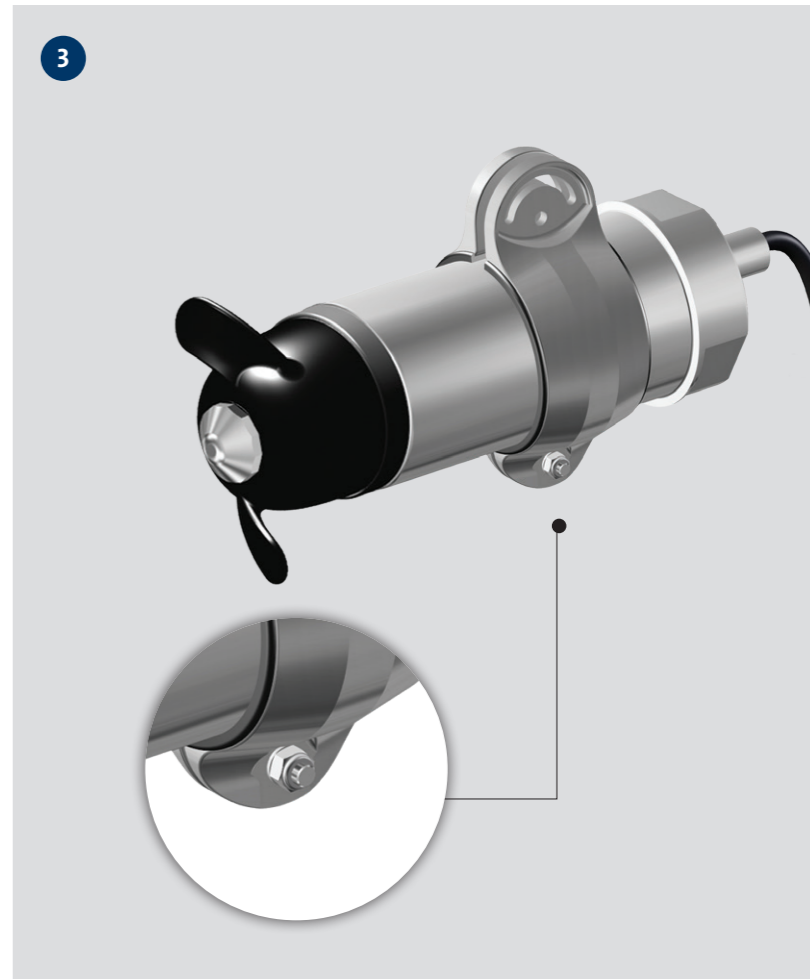
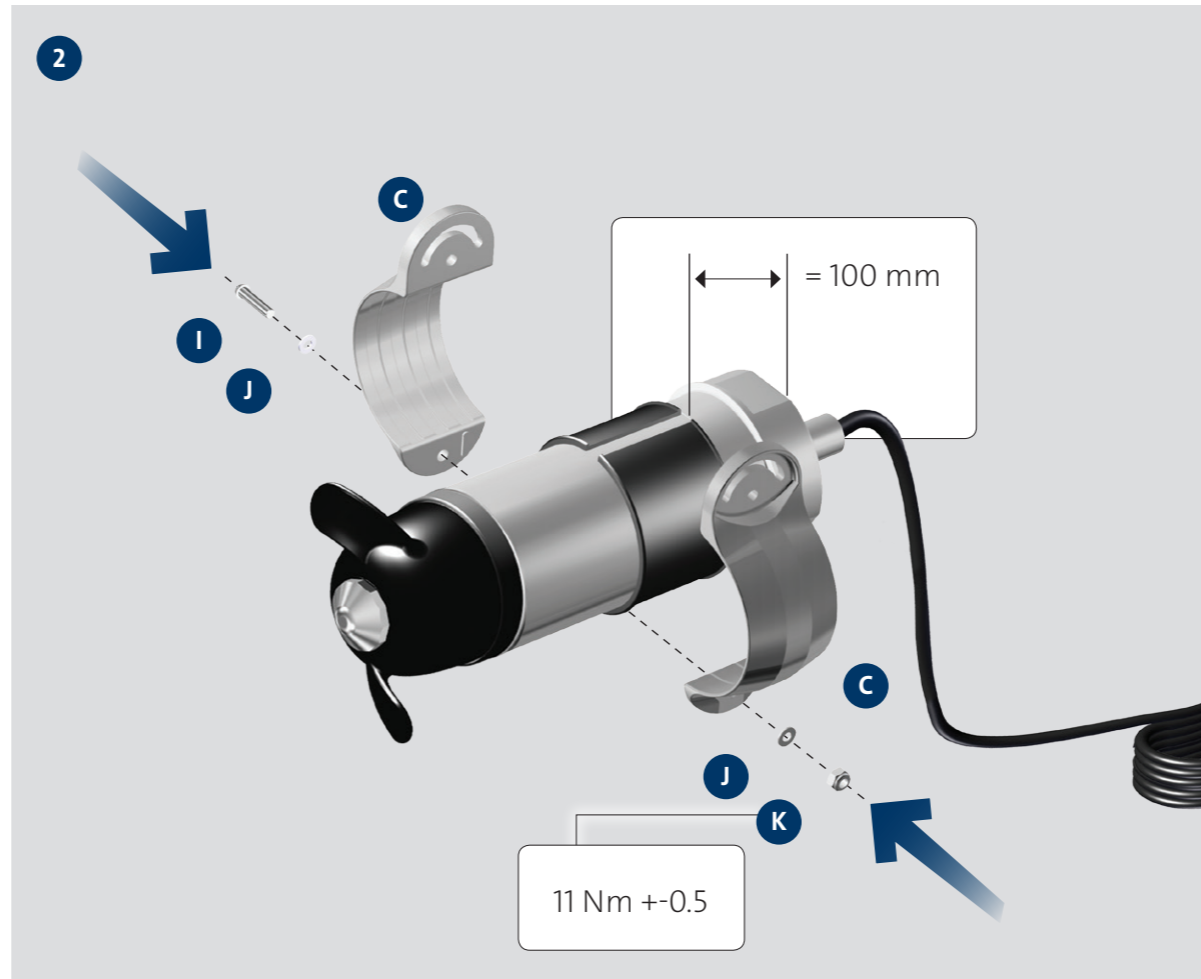
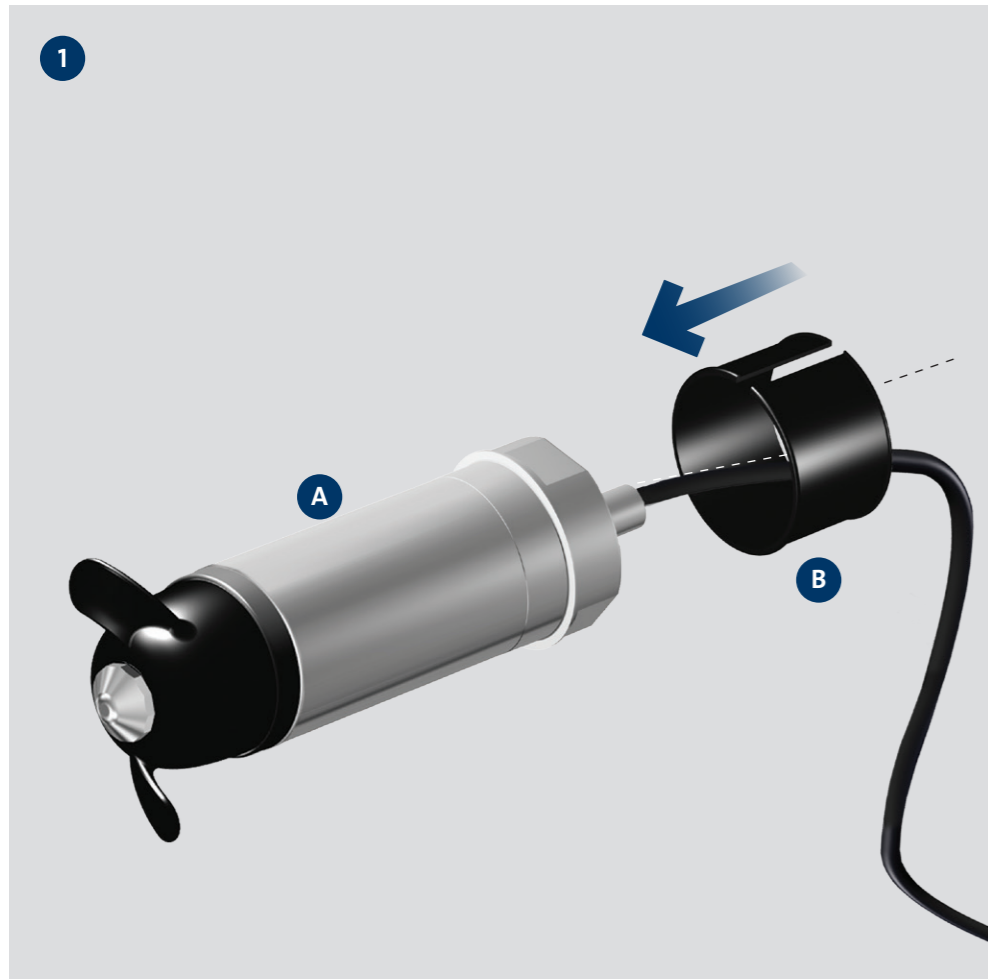


1.5 inch / DN40



2 inch / DN50





4

x mm =

1 inch / DN25

Min. / Max.
467 mm / 587 mm

1.5 inch / DN40

Min. / Max.
519 mm / 639 mm

2 inch / DN50

Min. / Max.
534 mm / 654 mm

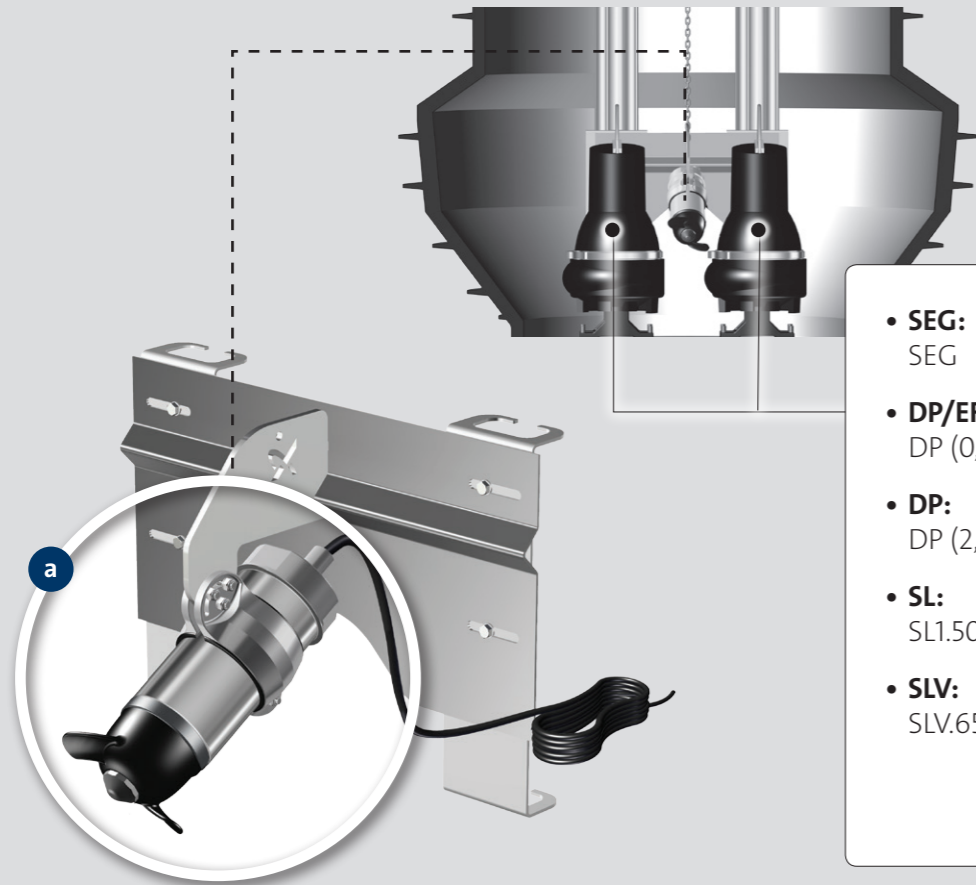
5

45 Nm +-0.5

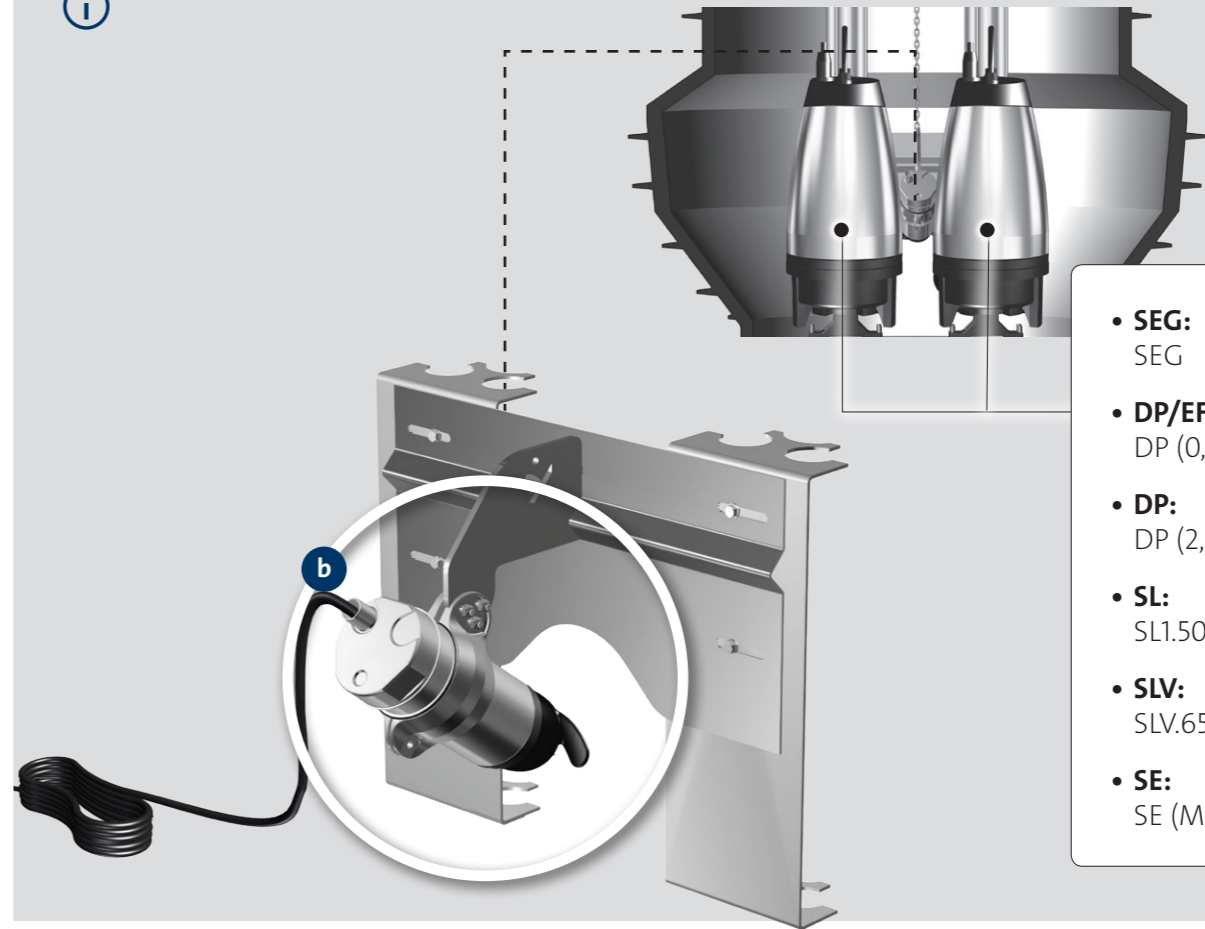
F

G

H



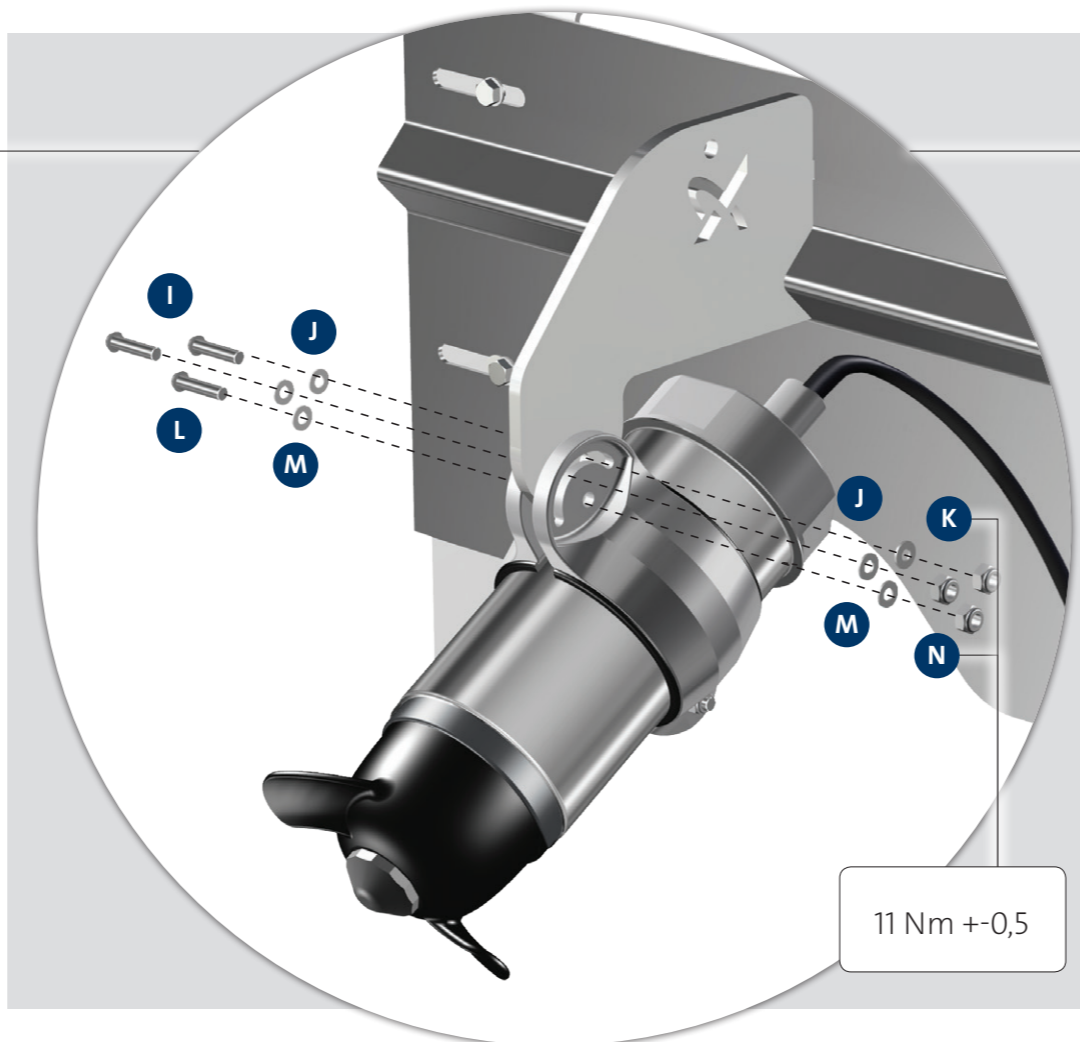
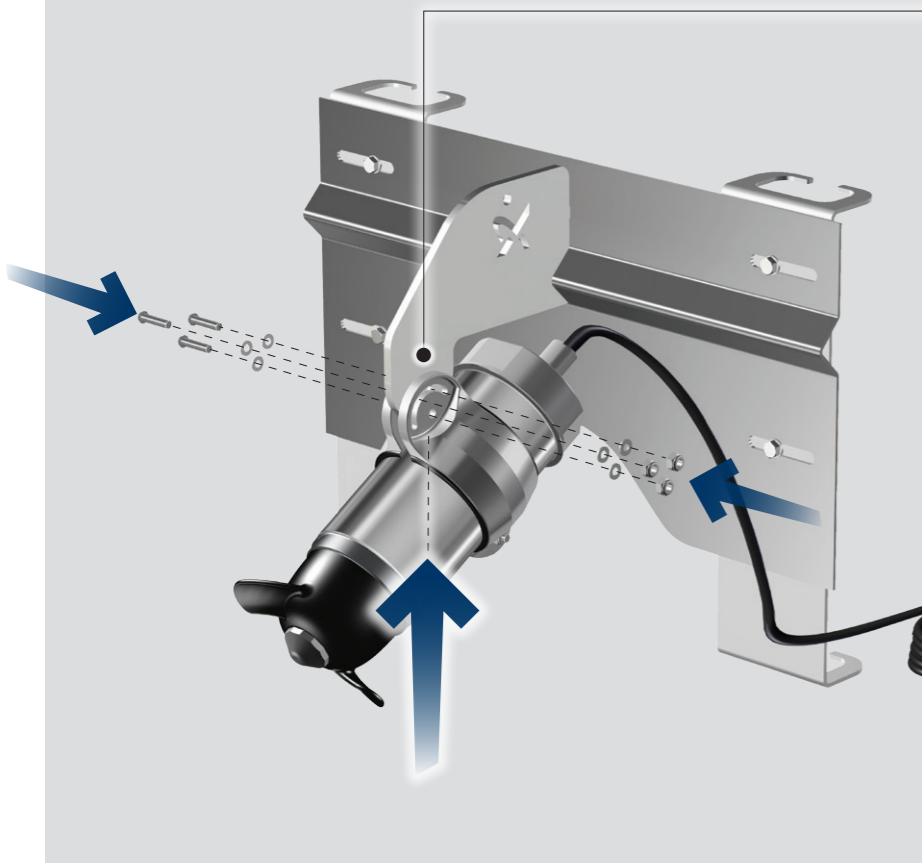
- **SEG:**
SEG
- **DP/EF:**
DP (0,6 – 1,5kW) / EF
- **DP:**
DP (2,6 kW)
- **SL:**
SL1.50.65
- **SLV:**
SLV.65.65



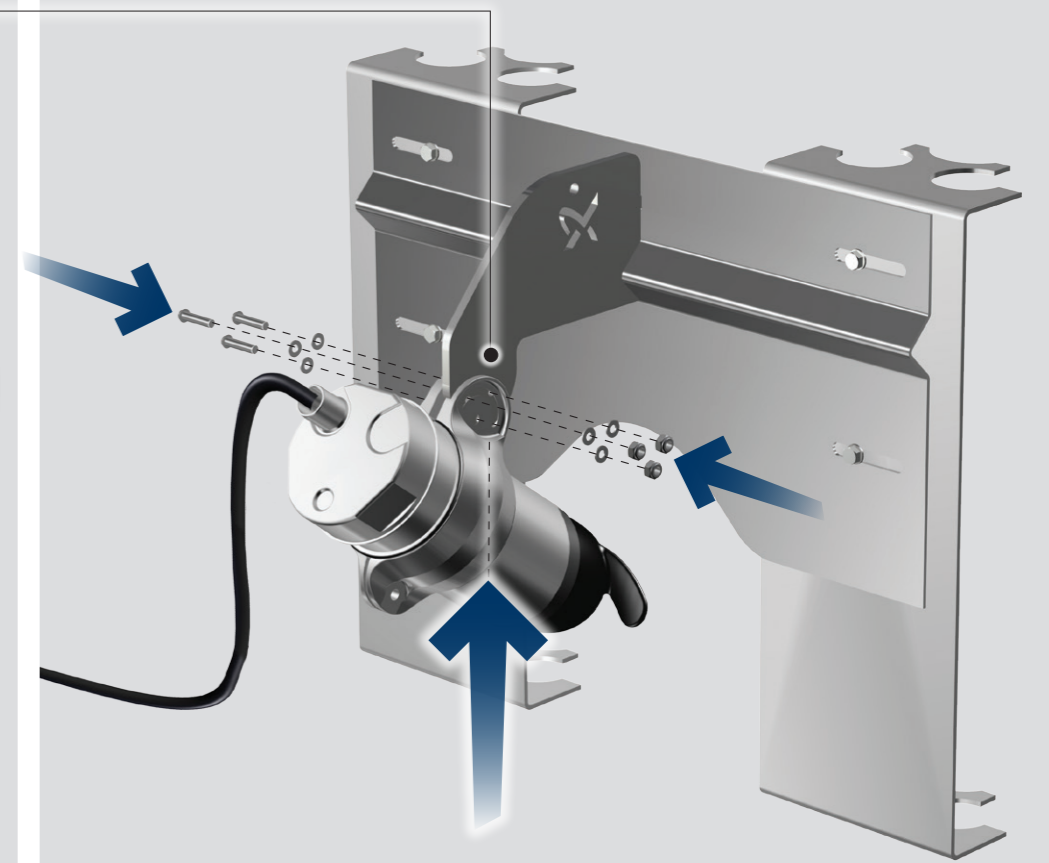
- **SEG:**
SEG
- **DP/EF:**
DP (0,6 – 1,5kW) / EF
- **DP:**
DP (2,6 kW)
- **SL:**
SL1.50.65
- **SLV:**
SLV.65.65
- **SE:**
SE (Max 7,5 kW)



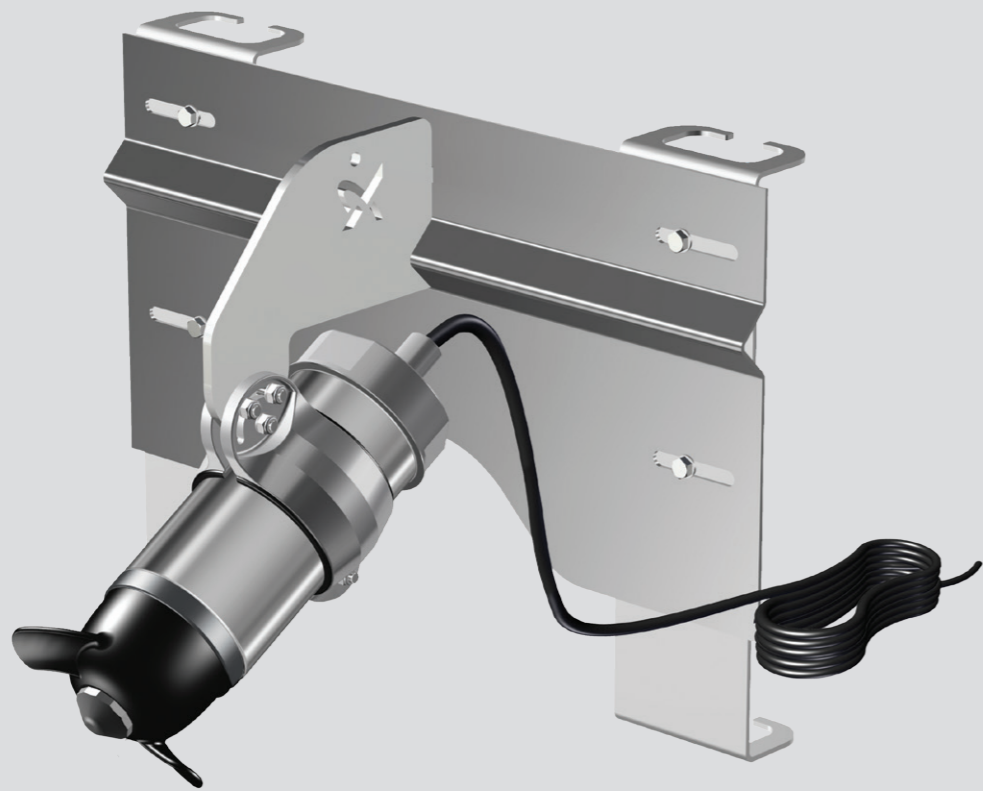
6a



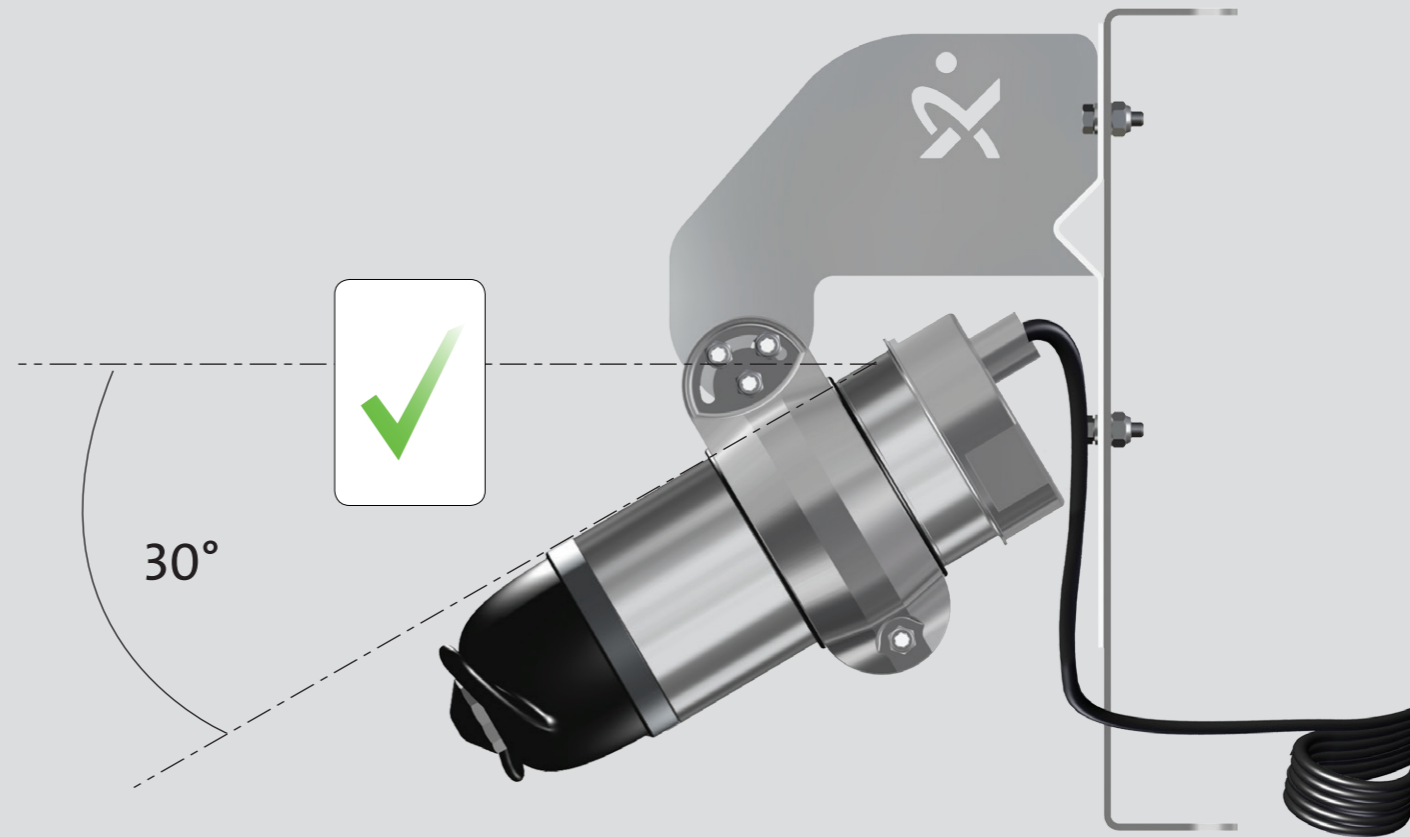
6b



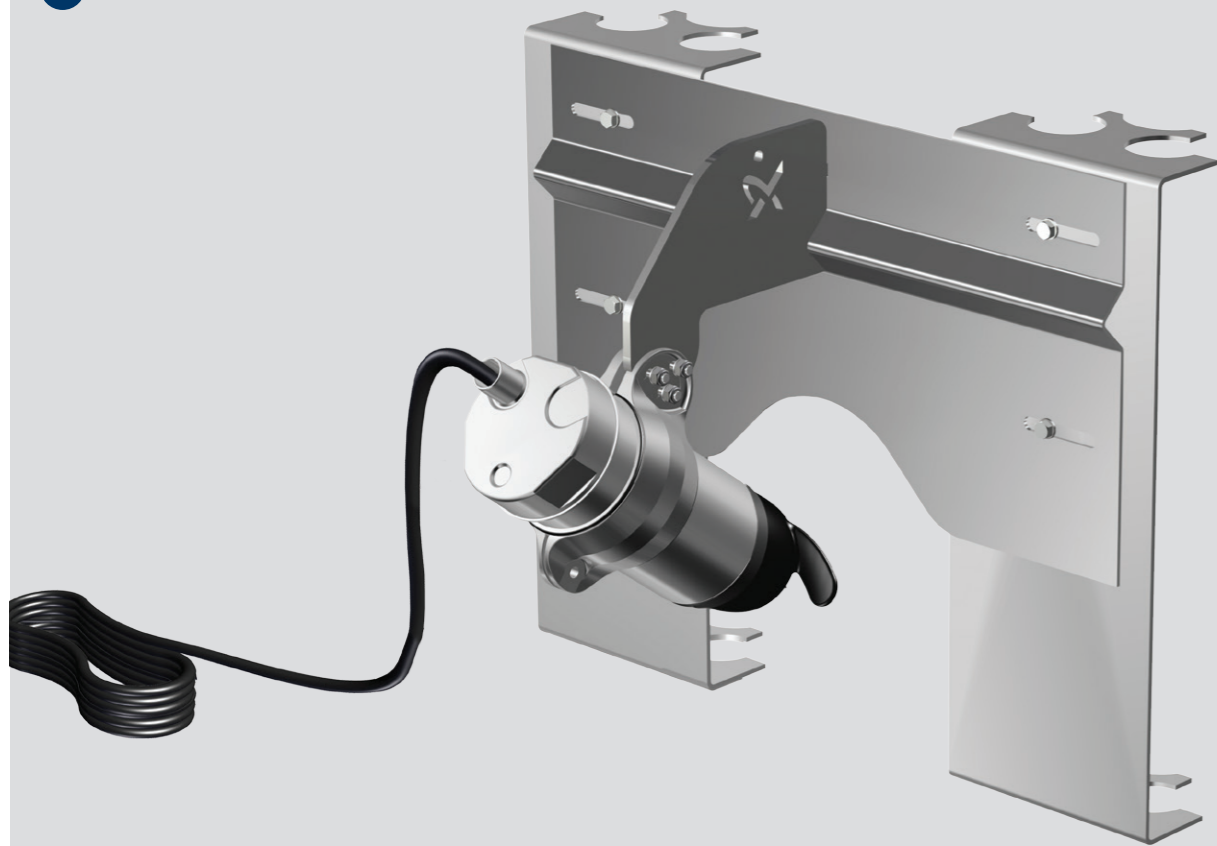
7a



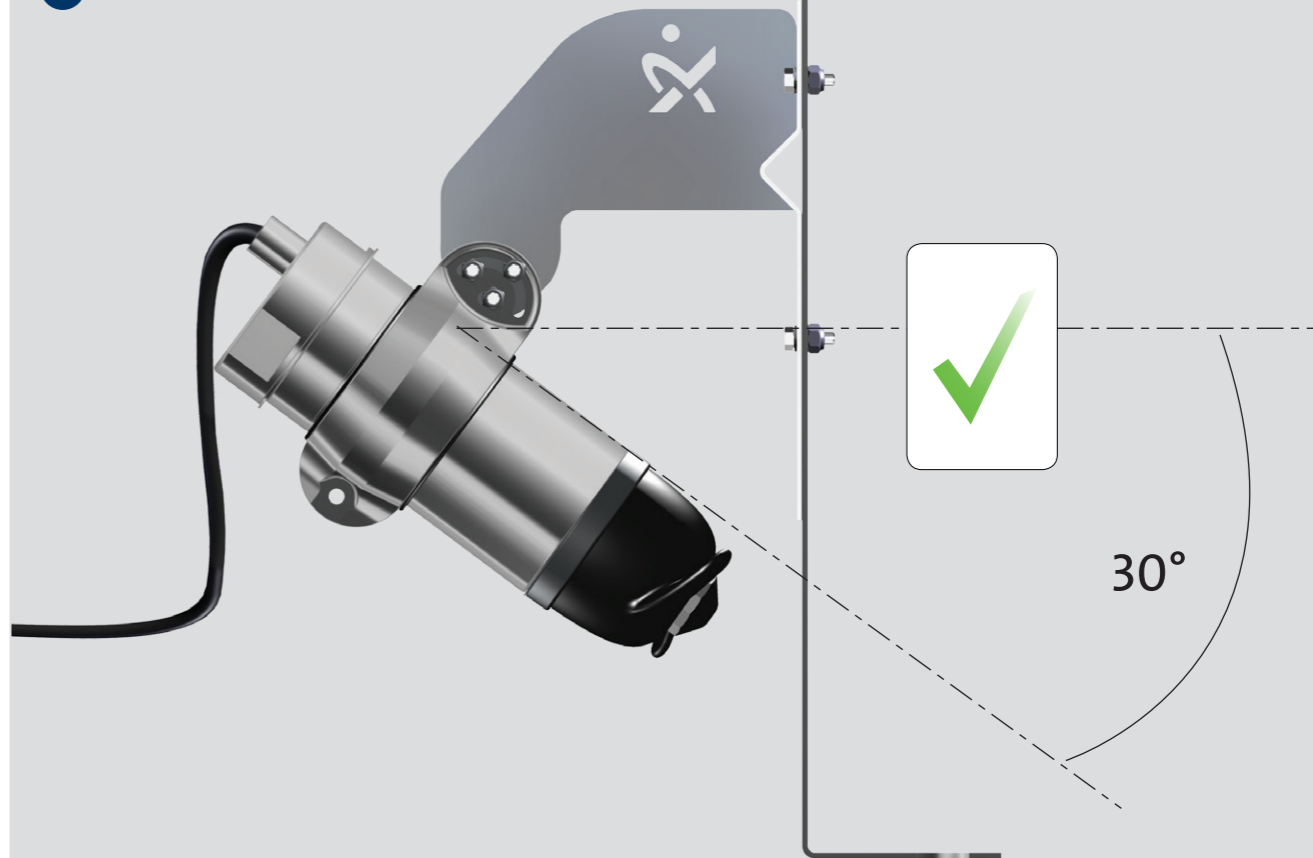
8a

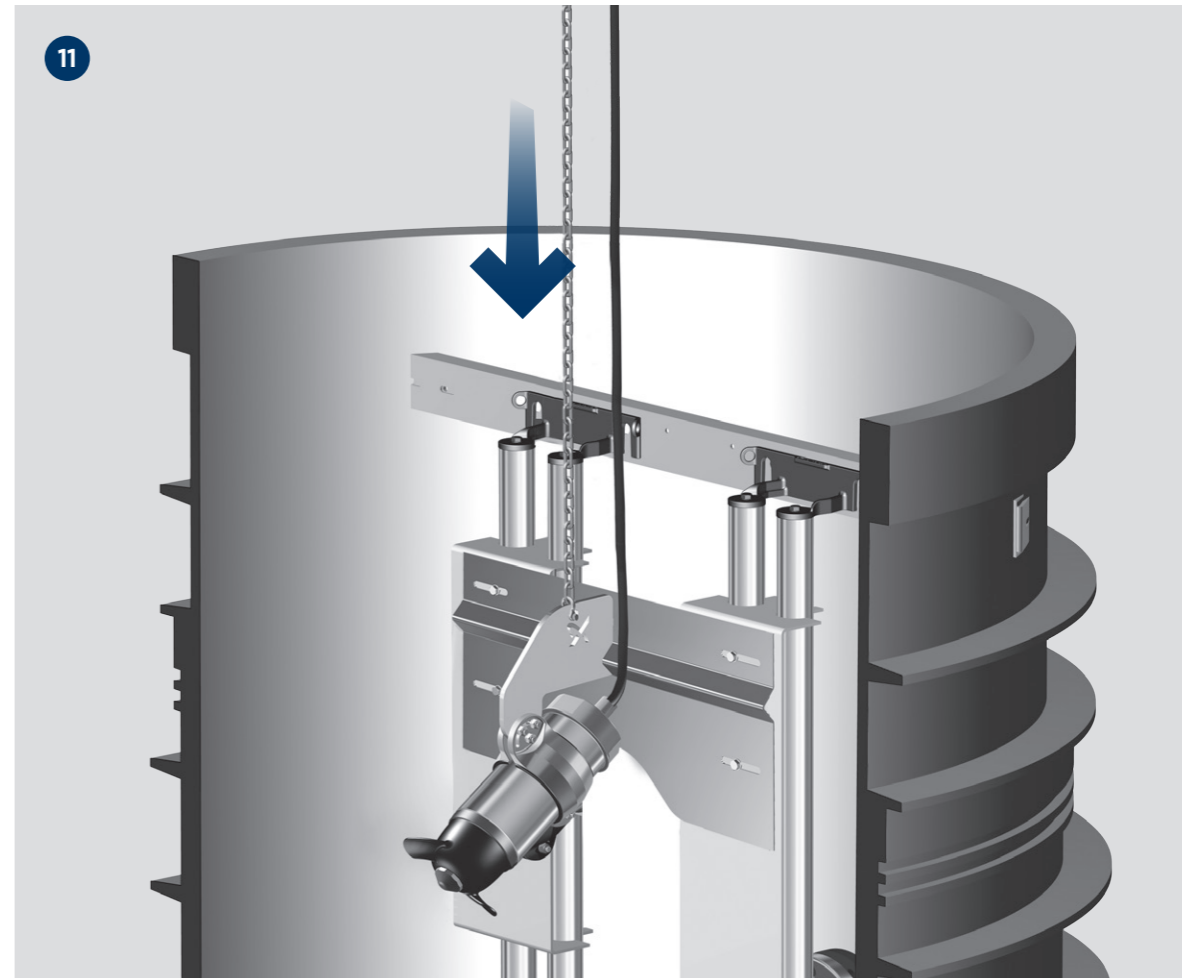
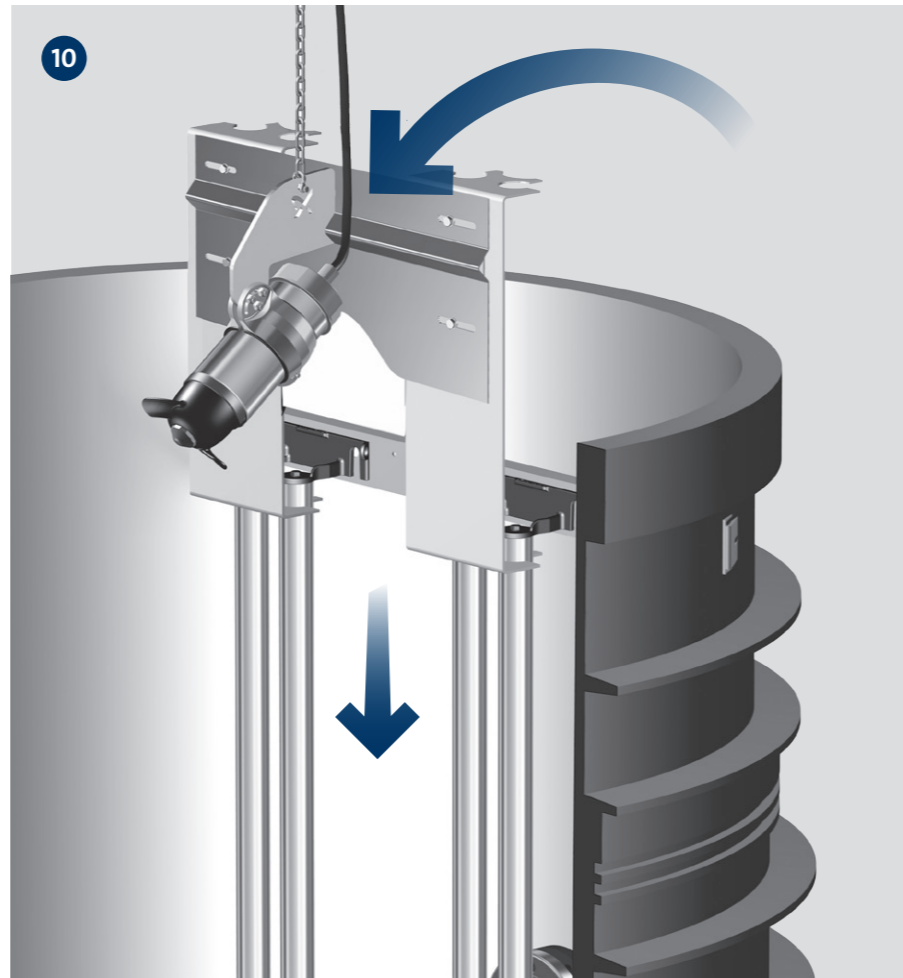
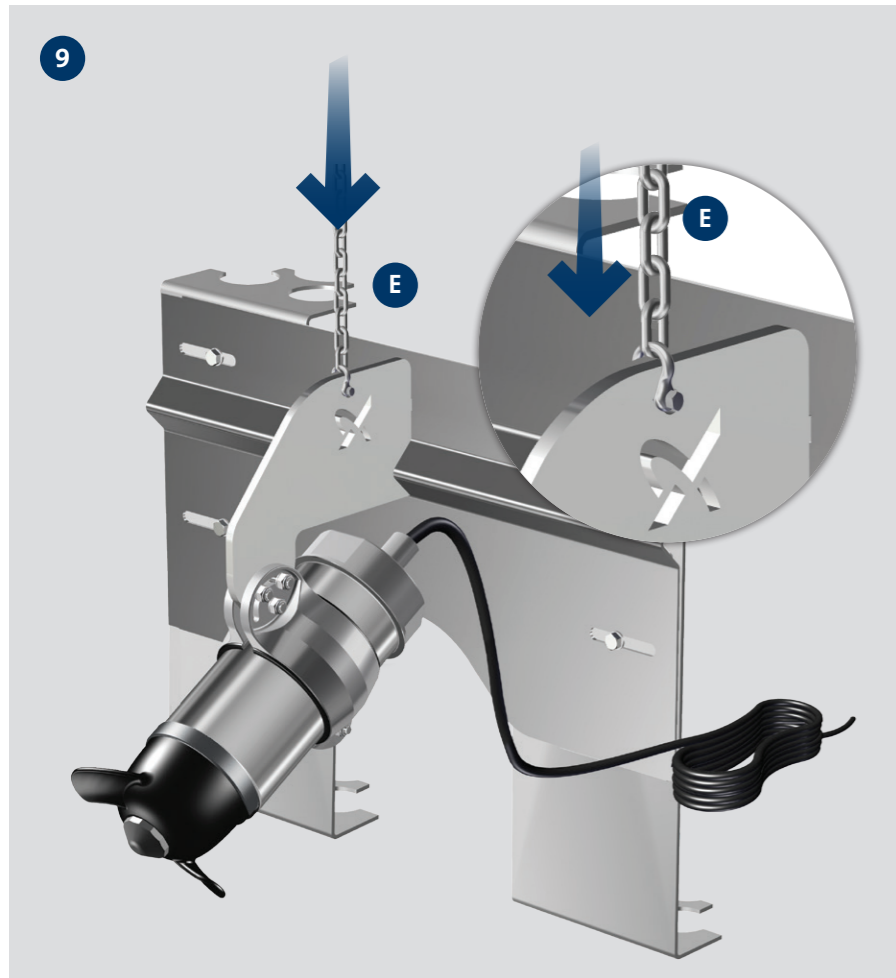


7b

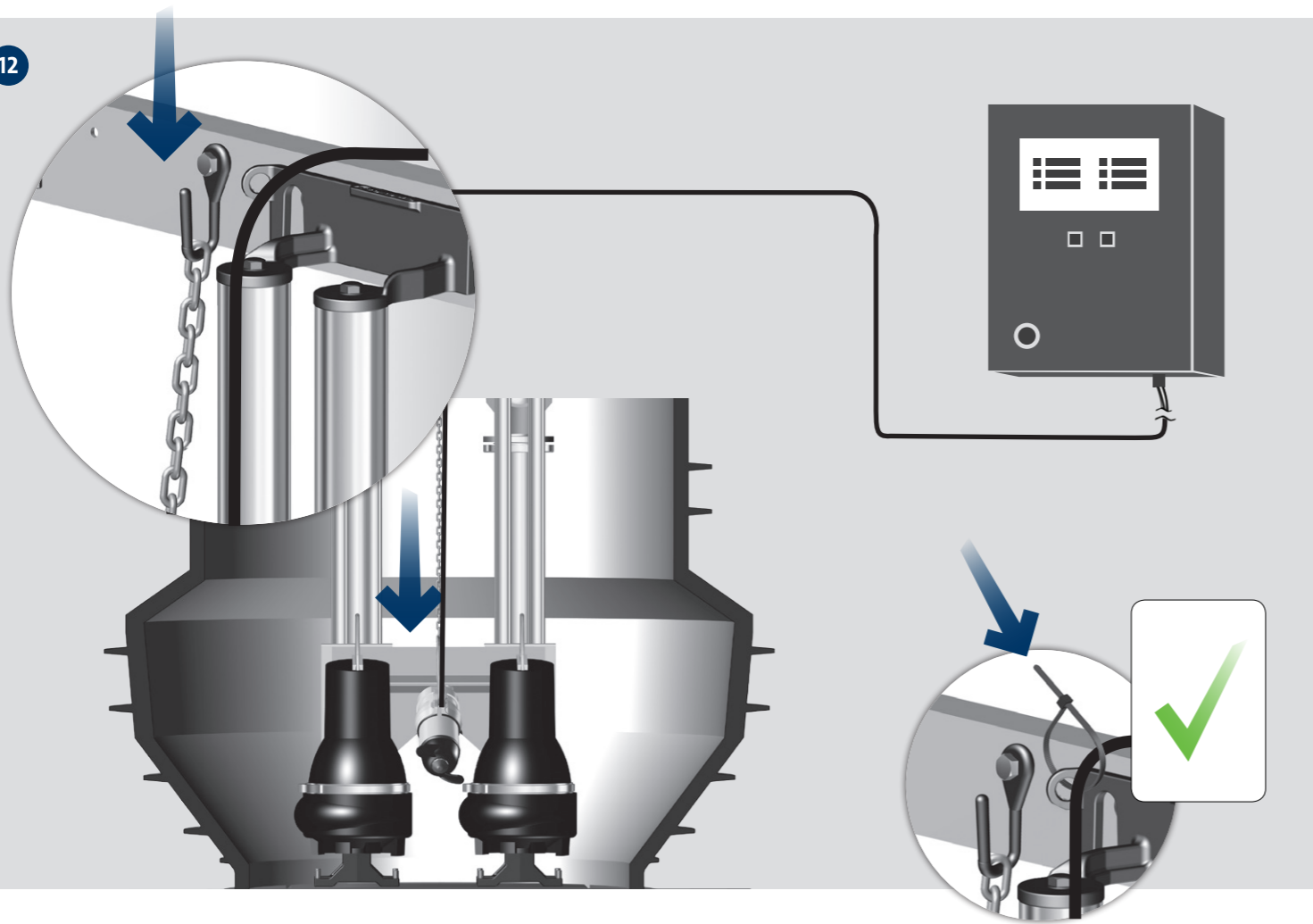


8b





12



i



99044298 0217

ECM: 1203977

be think innovate

GRUNDFOS 

The name Grundfos, the Grundfos logo, and the phrase be think innovate, are registered trademarks owned by Grundfos Holding A/S or Grundfos A/S, Denmark. All rights reserved worldwide.