

23. Dosing and disinfection

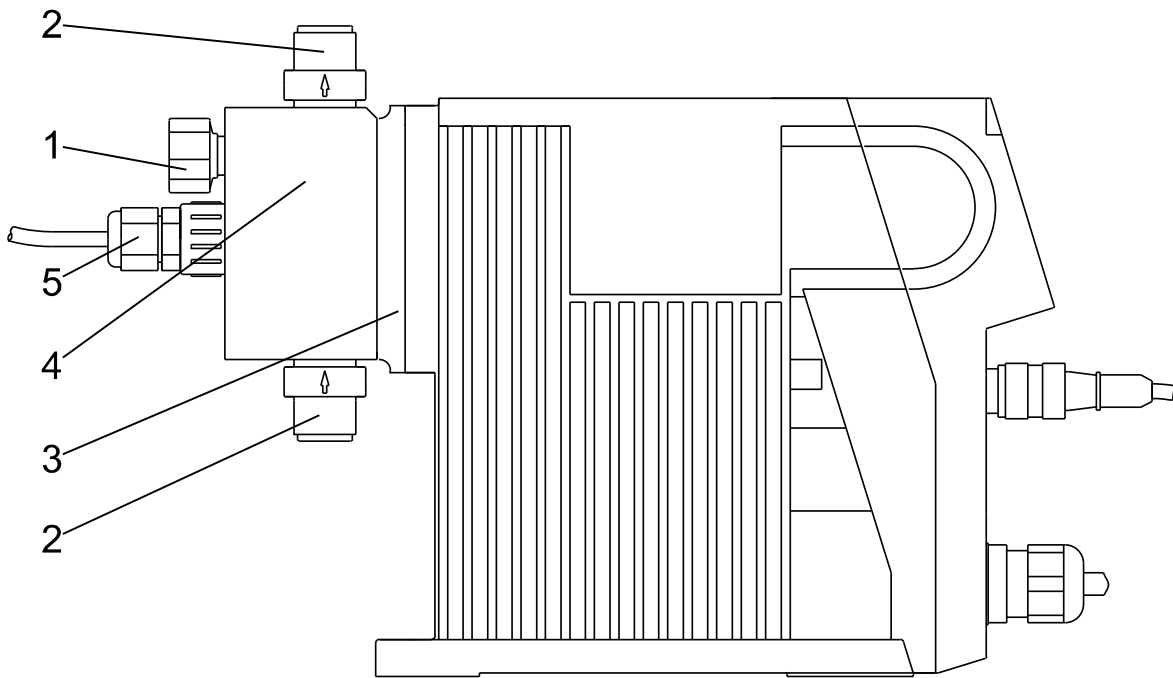
DDI

DDI 209

Maintenance kit

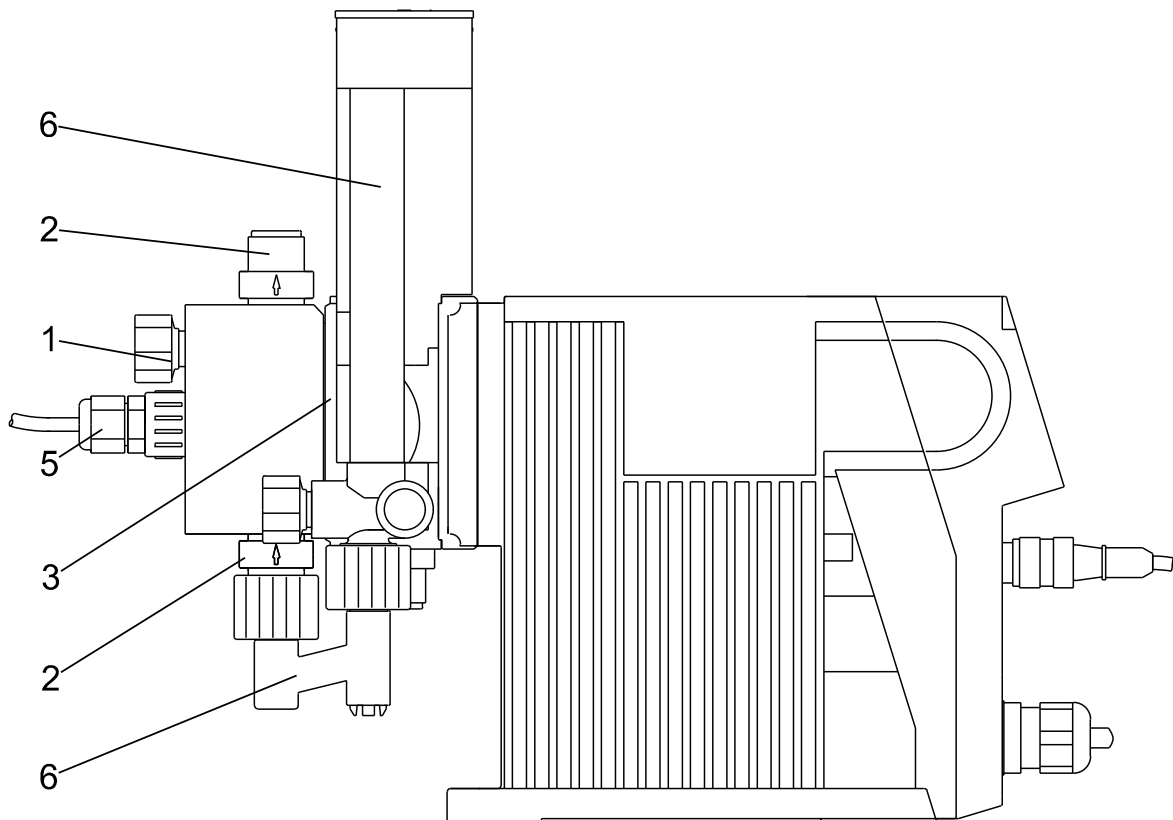
Model	Version	Pump			Valves + diaphragm (2 valves + diaphragm)	Diaphragm	Venting valve	Dosing head		
		Pos.	Standard					Head	Head w. flow monitor	
			Plus 3							
		Materials								
		Head	Gasket	Ball						
DDI 0.4-10	Standard	PP	EPDM	Ceramic	96640194	98337186	98367756	98354149	98164413	
		PP	FKM	Ceramic	96688957	98337186	98369884	98354171	98164432	
		PVC	EPDM	Ceramic	96636330	98337186	98369911	98354175	98164433	
		PVC	FKM	Ceramic	96729364	98337186	98369919	98354176	98164365	
		PVC	PTFE	Ceramic	98327521	98337186	98369911	98354179	-	
		PVC	PTFE	PTFE	98156956	98337186	98369911	98354213	-	
		PVDF	EPDM	Ceramic	98327611	98337186	98369931	98354482	-	
		PVDF	FKM	Ceramic	98327618	98337186	98369932	-	-	
		PVDF	PTFE	Ceramic	91835866	98337186	98369931	98354554	98162113	
	Plus 3	PVDF	PTFE	PTFE	98327625	98337186	98369931	98354555	-	
		SS	EPDM	SS	98336647	98337186	98369931	-	-	
		SS	FKM	SS	98327670	98337186	98369932	98354632	98365607	
		SS	PTFE	SS	98327693	98337186	98369931	98354635	98158883	
		PP	EPDM	Ceramic	96688850	98337293	98367756	98354636	98158860	
		PP	FKM	Ceramic	96688849	98337293	98369884	98354638	98158748	
		PVC	EPDM	Ceramic	91835905	98337293	98369911	98354661	98356006	
		PVC	FKM	Ceramic	91835901	98337293	98369919	98354673	98359521	
		DDI 2.2 - 16	Standard	PP	EPDM	Ceramic	96634415	98337640	98367756	98354771
DDI 2.5 - 10	PP	FKM		Ceramic	91836540	98337640	98369884	98354776	98354557	
DDI 5.5 - 10	PVC	EPDM		Ceramic	96643263	98337640	98369911	98354790	98354489	
	PVC	FKM		Ceramic	96688816	98337640	98369919	98354802	98368920	
	PVC	PTFE		Ceramic	96729545	98337640	98369911	98354807	98368964	
	PVC	PTFE		PTFE	95707374	98337640	98369911	-	-	
	PVDF	EPDM		Ceramic	98328157	98337640	98369931	98354819	-	
	PVDF	FKM		Ceramic	98328174	98337640	98369932	98356000	-	
	PVDF	PTFE		Ceramic	96641403	98337640	98369931	98356004	98369021	
	PVDF	PTFE		PTFE	98328177	98337640	98369931	-	-	
	SS	EPDM		SS	98336665	98337640	98369931	-	-	
	SS	FKM		SS	98328183	98337640	98369932	98359526	98369259	
	SS	PTFE		SS	98328206	98337640	98369931	98359527	98369275	
	Plus 3	PP		EPDM	Ceramic	96688851	98337641	98367756	98157872	98369296
		PP		FKM	Ceramic	91836604	98337644	98369884	98158466	98369309
		PVC		EPDM	Ceramic	96645650	98337641	98369911	98158492	98369354
	Standard	PVC		FKM	Ceramic	96641420	98337644	98369919	91835885	98369355
		PP		EPDM	Ceramic	98337012	98337650	98369933	98369998	98369934
		PP	FKM	Ceramic	96729512	98337650	98369935	98370000	98369937	
		PVC	EPDM	Ceramic	98337015	98337650	98369940	98370002	98369939	
		PVC	FKM	Ceramic	96656267	98337650	98369962	98370003	98369963	
		PVC	PTFE	Ceramic	98337016	98337650	98369964	98370004	-	
		PVC	PTFE	PTFE	95715912	98337650	98369964	98370005	-	
		PVDF	PTFE	Ceramic	95726369	98337650	98369967	98370007	98369966	
		SS	EPDM	SS	98337117	98337650	-	-	-	
		SS	FKM	SS	98337163	98337650	98369969	98370006	98369993	
		SS	PTFE	SS	98337168	98337650	98369992	98370010	98369994	
		Standard	PP	EPDM	Ceramic	98337012	98337650	98369933	98159567	98369371
			PP	FKM	Ceramic	96729512	98337650	98369935	98159583	98369372
			PVC	EPDM	Ceramic	98337015	98337650	98369940	98159585	98369374
			PVC	FKM	Ceramic	96656267	98337650	98369962	98159589	98369380
			PVC	PTFE	Ceramic	98337016	98337650	98369964	98159868	-
			PVC	PTFE	PTFE	95715912	98337650	98369964	98159820	-
			PVDF	EPDM	Ceramic	98337099	98337650	-	98159863	-
	PVDF		PTFE	Ceramic	95726369	98337650	98369967	98162112	98369385	
	PVDF		PTFE	PTFE	91835878	98337650	98369967	-	-	
	SS		EPDM	SS	98337117	98337650	-	-	-	
	SS		FKM	SS	98337163	98337650	98369969	98164371	98369383	
	SS		PTFE	SS	98337168	98337650	98369992	98164377	98369386	
DDI 20-3										

DDI 209 Standard



TM05 6939 0312

DDI 209 Plus 3



TM05 6940 0312

Spring loaded valves

Model	Valve size	Body	Material		Product number
			Gasket	Ball	
DDI 0.4 DDI 2.2 DDI 2.5 DDI 5.5	DN4	PVC	EPDM	Ceramic	98366502
			FKM	Ceramic	98366527
			PTFE	Ceramic	98366528
		PP	EPDM	Ceramic	98366529
			FKM	Ceramic	98366541
			PVDF	Ceramic	98366542
		Stainless steel (SS)	FKM	SS	98366544
			PTFE	SS	98366545
			EPDM	Ceramic	98366551
			FKM	Ceramic	98366546
DDI 13.8, 20	DN8	PVC	PTFE	Ceramic	98366552
			EPDM	Ceramic	98366553
			FKM	Ceramic	98366555
		PP	PTFE	Ceramic	98366557
			FKM	SS	98366558
		Stainless steel (SS)	PTFE	SS	98366559

Kits for ClO₂ applications

Model	Version	Body	Material		Kit, valves + diaphragm	Kit, diaphragm
			Gasket	Ball	Product number	Product number
DDI 2.2, 2.5, 5.5	Standard	PVC	FKM	Ceramic	96729439	96729439
	Plus 3	PVC	FKM	Ceramic	96688870	96688870

DDI 222

Maintenance kit

Model	Version	Materials				Product number	
		Valve Body	Gasket	Seat	Ball	Valves + Diaphragm	Diaphragm
DDI 60-10	Std.	1.4571	FKM	FKM	1.4401	96688932*	91836522
DDI 60-10	Std.	1.4571	PTFE	PTFE	1.4401	96688933*	91836522
DDI 60-10	Std.	PP	EPDM	EPDM	PTFE	96688939	91836522
DDI 60-10	Std.	PP	FKM	FKM	Glas	96688938	91836522
DDI 60-10	Std.	PVC	EPDM	EPDM	1.4401	91836617	91836522
DDI 60-10	Std.	PVC	FKM	FKM	Glas	96641808	91836522
DDI 60-10	Std.	PVC	PTFE	PTFE	Ceramic	96688927	91836522
DDI 60-10	Std.	PVC	PTFE	PTFE	PTFE	96688928	91836522
DDI 60-10	Std.	PVDF	PTFE	PTFE	PTFE	96641810	91836522
DDI 60-10	abr.	1.4571	FKM	1.4571	1.4401	96688934*	91836522
DDI 60-10	DLD/abr.	1.4571	FKM	1.4571	1.4401	96688937*	91836521
DDI 60-10	DLD	1.4571	FKM	FKM	1.4401	96688935*	91836521
DDI 60-10	DLD	1.4571	PTFE	PTFE	1.4401	96688936*	91836521
DDI 60-10	DLD	PP	EPDM	EPDM	PTFE	96688941	91836521
DDI 60-10	DLD	PP	FKM	FKM	Glas	96688940	91836521
DDI 60-10	DLD	PVC	EPDM	EPDM	1.4401	96688929	91836521
DDI 60-10	DLD	PVC	FKM	FKM	Glas	91836337	91836521
DDI 60-10	DLD	PVC	PTFE	PTFE	Ceramic	96688930	91836521
DDI 60-10	DLD	PVC	PTFE	PTFE	PTFE	96688931	91836521
DDI 60-10	DLD	PVDF	PTFE	PTFE	PTFE	96688942	91836521
DDI 150-4	Std.	1.4571	FKM	1.4571	1.4401	96688949*	91836524
DDI 150-4	Std.	1.4571	PTFE	1.4571	1.4401	96688950*	91836524
DDI 150-4	Std.	PVC-PP	EPDM	PTFE	1.4401	96641222*	91836524
DDI 150-4	Std.	PVC-PP	EPDM	PTFE	PTFE	96688944*	91836524
DDI 150-4	Std.	PVC-PP	FKM	PTFE	Glas	96634524*	91836524
DDI 150-4	Std.	PVC-PP	PTFE	PTFE	Ceramic	96688943*	91836524
DDI 150-4	Std.	PVC-PP	PTFE	PTFE	PTFE	96729504*	91836524
DDI 150-4	Std.	PVDF	PTFE	PTFE	PTFE	96641811*	91836524
DDI 150-4	DLD	1.4571	FKM	1.4571	1.4401	96688952*	91836523
DDI 150-4	DLD	1.4571	PTFE	1.4571	1.4401	96688953*	91836523
DDI 150-4	DLD	PVC-PP	EPDM	PTFE	1.4401	96688946*	91836523
DDI 150-4	DLD	PVC-PP	EPDM	PTFE	PTFE	96688948*	91836523
DDI 150-4	DLD	PVC-PP	FKM	PTFE	Glas	96688945*	91836523
DDI 150-4	DLD	PVC-PP	PTFE	PTFE	Ceramic	96688947*	91836523
DDI 150-4	DLD	PVC-PP	PTFE	PTFE	PTFE	96729505*	91836523
DDI 150-4	DLD	PVDF	PTFE	PTFE	PTFE	96688956*	91836523
DDI 150-4	abr.	1.4571	FKM	1.4571	1.4401	96688951*	96679802

* Only with internal valve parts

Std.: Standard

DLD: Diaphragm leakage detection

abr.: Special valve for abrasive liquids

PVC-PP: kits are suitable for pumps with either PVC or PP heads

DDI 222 with flow monitor (dosing head, flow sensor and PTFE O-ring)

Model	Dosing head material	Kit No
DDI 60-10	PVC	96688965
DDI 60-10	PP	96688967
DDI 60-10	PVDF	96688968
DDI 60-10	Stainless steel (SS)	96688966
DDI 150-4	PVC	96688971
DDI 150-4	PP	96688973
DDI 150-4	PVDF	96688974
DDI 150-4	Stainless steel (SS)	96688972

Important! These kits do not include check valves.

DDI 222 Electronics boards

Model	Description	Voltage	Kit No
DDI 60-150	Display on the side	110-240 AC	96688902
DDI 60-150	Display on the back	110-240 AC	95721737
DDI 60-150 with profibus	Display on the side	110-240 AC	96688904
DDI 60-150 with profibus	Display on the back	110-240 AC	95721739

Cable and connectors

Application		Type	Pins	Coding	Straight/ angled	Length	Other	Kit No
Input	Analog contact for remote switch	Plug connector	4	Groove (nut)	Straight	2		96609014
						5		96609016
						Plug only		96698715
					Angled	2		96693246
Output	Error relay stroke or pre-empty relay	Plug connector	4	Tappet	Straight	2		96609017
						5		96609019
						Plug only		96696198
					Angled	2		96698716
Output	Analog	Plug connector	5	Groove (nut)	Straight	2		96632921
						5		96632922
						Plug only		96609031
					Angled	2		96699697
Combined	Flow monitor in analog out	Plug connector	5	Groove (nut)	Straight	Plug only	2 cable entries	96609030
Input	(Pre-)empty	Plug connector	4	Groove (nut)	Straight	Plug only		96698715
Input	Empty	Flat plug connector	2	Alldos-type	Straight	Plug only	Soldered cable	96679388
Input	(Pre-)empty	Flat plug connector	3	Alldos-type	Straight	Plug only	Soldered cable	96630345
Adaptor flat-round	(Pre-)empty	Plug connector	4	Groove (nut)	Straight	Plug only		96635010
PROFIBUS	Y-connector					Plug only		96693735
PROFIBUS	Terminating resistor					Plug only		96693737
Mains (model 222)	110-240 VAC	Solenoid valve connector	3	DIN 43650	Angled	Plug only		96698717

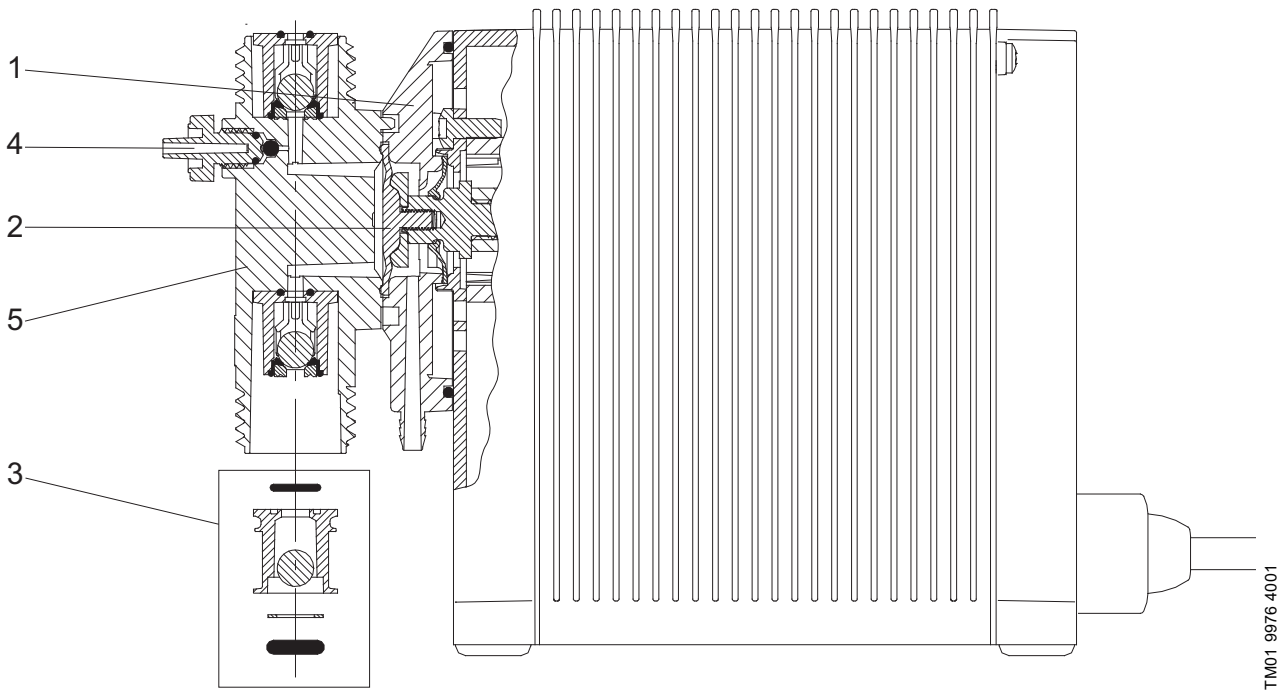
DME

DME 2 to 48 l/h, 1 x 100-240 V, 50/60 Hz

Pump	Valves	Materials	Product numbers			
			Complete dosing head pos. 1 + 2 + 3 (x2) + 4 + 5	Valves + diaphragm pos. 1 + 2 + 3 (x2)	Valves pos. 3 (x2)	Diaphragm pos. 2
DME 2-18 DMS 2-11	Standard	PP/EPDM/ceramic	96440665	96441131	96440711	96440740
		PP/FKM/ceramic	96446814	96446774	96446836	96440740
		PVDF/FKM/ceramic	96440667	96441133	96440713	96440740
		PVDF/PTFE/ceramic	96636077	96635984	96574015	96440740
		PVDF/PTFE/PTFE	96900363	96900365	96574016	96440740
	Spring-loaded	Stainless steel/FKM/stainless steel	96440669	96441135	96440723	96440740
		PP/EPDM/ceramic	96440666	96441132	96440712	96440740
		PP/FKM/ceramic	96446815	96446775	96446837	96440740
		PVDF/FKM/ceramic	96440668	96441134	96440722	96440740
		PVDF/PTFE/ceramic	96636079	96636063	96635983	96440740
DMS 4-7	Standard	Stainless steel/FKM/stainless steel	96440670	96441136	96440724	96440740
		PP/EPDM/ceramic	96440699	96441177	96440711	96440750
		PP/FKM/ceramic	96446818	96446782	96446836	96440750
		PVDF/FKM/ceramic	96440701	96441179	96440713	96440750
		PVDF/PTFE/ceramic	96690668	96636064	96574015	96440750
	Spring-loaded	PVDF/PTFE/PTFE	96900384	96900385	96574016	96440750
		Stainless steel/FKM/stainless steel	96440703	96441181	96440723	96440750
		PP/EPDM/ceramic	96440700	96441178	96440712	96440750
		PP/FKM/ceramic	96446819	96446783	96446837	96440750
		PVDF/FKM/ceramic	96440702	96441180	96440722	96440750
DME 8-10 DMS 8-5	Standard	PVDF/PTFE/ceramic	96690683	96636066	96635983	96440750
		Stainless steel/FKM/stainless steel	96440704	96441182	96440724	96440750
		PP/EPDM/ceramic	96440671	96441149	96440711	96440743
		PP/FKM/ceramic	96446816	96446780	96446836	96440743
		PVDF/FKM/ceramic	96440673	96441151	96440713	96440743
	Spring-loaded	PVDF/PTFE/ceramic	96636083	96636067	96574015	96440743
		PVDF/PTFE/PTFE	96900366	96900367	96574016	96440743
		Stainless steel/FKM/stainless steel	96440675	96441153	96440723	96440743
		PP/EPDM/ceramic	96440672	96441150	96440712	96440743
		PP/FKM/ceramic	96446817	96446781	96446837	96440743
DME 12-6 DMS 12-3	Standard	PVDF/FKM/ceramic	96440674	96441152	96440722	96440743
		PVDF/PTFE/ceramic	96636085	96636069	96635983	96440743
		Stainless steel/FKM/stainless steel	96440676	96441154	96440724	96440743
		PP/EPDM/ceramic	96440659	96441125	96440711	96440739
		PP/FKM/ceramic	96446812	96446772	96446836	96440739
	Spring-loaded	PVDF/FKM/ceramic	96440661	96441127	96440713	96440739
		PVDF/PTFE/ceramic	96636087	96636070	96574015	96440739
		PVDF/PTFE/PTFE	96900368	96900369	96574016	96440739
		Stainless steel/FKM/stainless steel	96440663	96441129	96440723	96440739
		PP/EPDM/ceramic	96440660	96441126	96440712	96440739
DME 19-6	Standard	PP/FKM/ceramic	96446813	96446773	96446837	96440739
		PVDF/FKM/ceramic	96440662	96441128	96440722	96440739
		PVDF/PTFE/ceramic	96690541	96636071	96635983	96440739
		Stainless steel/FKM/stainless steel	96440664	96441130	96440724	96440739
		PP/EPDM/ceramic	96440647	96441137	96440711	96440741
	Spring-loaded	PP/FKM/ceramic	96446808	96446776	96446836	96440741
		PVDF/FKM/ceramic	96440649	96441139	96440713	96440741
		PVDF/PTFE/ceramic	96636091	96636072	96574015	96440741
		PVDF/PTFE/PTFE	96900370	96900371	96574016	96440741
		Stainless steel/FKM/stainless steel	96440651	96441141	96440723	96440741
Spring-loaded	PP/EPDM/ceramic	96440648	96441138	96440712	96440741	
	PP/FKM/ceramic	96446809	96446777	96446837	96440741	
	PVDF/FKM/ceramic	96440650	96441140	96440722	96440741	
	PVDF/PTFE/ceramic	96636093	96636073	96635983	96440741	
	Stainless steel/FKM/stainless steel	96440652	96441142	96440724	96440741	

Pump	Valves	Materials	Product numbers			
			Complete dosing head pos. 1 + 2 + 3 (x2) + 4 + 5	Valves + diaphragm pos. 1 + 2 + 3 (x2)	Valves pos. 3 (x2)	Diaphragm pos. 2
DME 48-3	Standard	PP/EPDM/ceramic	96440653	96441143	96440711	96440742
		PP/FKM/ceramic	96446810	96446778	96446836	96440742
		PVDF/FKM/ceramic	96440655	96441145	96440713	96440742
		PVDF/PTFE/ceramic	96636095	96636074	96574015	96440742
		PVDF/PTFE/PTFE	96900382	96900383	96574016	96440742
	Spring-loaded	Stainless steel/FKM/stainless steel	96440657	96441147	96440723	96440742
		PP/EPDM/ceramic	96440654	96441144	96440712	96440742
		PP/FKM/ceramic	96446811	96446779	96446837	96440742
		PVDF/FKM/ceramic	96440656	96441146	96440722	96440742
		PVDF/PTFE/ceramic	96636097	96636075	96635983	96440742
		Stainless steel/FKM/stainless steel	96440658	96441148	96440724	96440742

DME 2 to 48 l/h



DME 60-940 I/h, 1 x 100-240 V, 50/60 Hz

Service kit, DME 60-10

Model	Valves	Materials			Connection	Complete dosing head Pos. 1 + 2 + 3 + 4 + 5 + 6	Valves + diaphragm Pos. 1 + 2 + 3	Non-return valves Pos. 2 + 3	Diaphragm Pos. 1	
		Dosing head	Gaskets	Valve balls						
DME 60-10	Spring loaded	PP	EPDM	Ceramic	NPT 3/4	96549405	96520368	96519446	96519470	
			EPDM	Ceramic	Hoseclamp	96520459	96520368	96519446	96519470	
			EPDM	Ceramic	Rp 3/4	96620070	96520368	96519446	96519470	
			FKM	Ceramic	NPT 3/4	96549406	96520369	96519447	96519470	
			FKM	Ceramic	Hoseclamp	96520460	96520369	96519447	96519470	
			FKM	Ceramic	Rp 3/4	96620071	96520369	96519447	96519470	
		PVDF	FKM	Ceramic	NPT 3/4	96549407	96520370	96519448	96519470	
			FKM	Ceramic	Hoseclamp	96520461	96520370	96519448	96519470	
			FKM	Ceramic	Rp 3/4	96620072	96520370	96519448	96519470	
			PTFE	Ceramic	Hoseclamp	96945474	96690557	96690553	96519470	
			Stainless Steel	FKM	Stainless Steel	NPT 3/4	96549408	96520371	96519449	96519470
				FKM	Stainless Steel	Rp 3/4	96520462	96520371	96519449	96519470
	Standard	PP	EPDM	Ceramic	NPT 3/4	96549401	96520364	96519442	96519470	
			EPDM	Ceramic	Hoseclamp	96520454	96520364	96519442	96519470	
			EPDM	Ceramic	Rp 3/4	96620067	96520364	96519442	96519470	
			FKM	Ceramic	NPT 3/4	96549402	96520365	96519443	96519470	
			FKM	Ceramic	Hoseclamp	96520455	96520365	96519443	96519470	
			FKM	Ceramic	Rp 3/4	96620068	96520365	96519443	96519470	
		PVDF	FKM	Ceramic	NPT 3/4	96549403	96520366	96519444	96519470	
			FKM	Ceramic	Hoseclamp	96520456	96520366	96519444	96519470	
			FKM	Ceramic	Rp 3/4	96620069	96520366	96519444	96519470	
			PTFE	Ceramic	Hoseclamp	96690542	96690556	96573952	96519470	
			Stainless Steel	FKM	Stainless Steel	NPT 3/4	96549404	96520367	96519445	96519470
				FKM	Stainless Steel	Rp 3/4	96520458	96520367	96519445	96519470
		PTFE	Stainless Steel	Rp 3/4	97939086	97571911	97571912	96519470		

Service kit, DME 150-4

Model	Valves	Materials			Connection	Complete dosing head Pos. 1 + 2 + 3 + 4 + 5 + 6	Valves + diaphragm Pos. 1 + 2 + 3	Non-return valves Pos. 2 + 3	Diaphragm Pos. 1	
		Dosing head	Gaskets	Valve balls						
DME 150-4	Spring loaded	PP	EPDM	Ceramic	NPT 3/4	96549434	96520376	96519446	96519471	
			EPDM	Ceramic	Hoseclamp	96520467	96520376	96519446	96519471	
			EPDM	Ceramic	Rp 3/4	96620076	96520376	96519446	96519471	
			FKM	Ceramic	NPT 3/4	96549435	96520377	96519447	96519471	
			FKM	Ceramic	Hoseclamp	96520468	96520377	96519447	96519471	
			FKM	Ceramic	Rp 3/4	96620077	96520377	96519447	96519471	
		PVDF	FKM	Ceramic	NPT 3/4	96549436	96520378	96519448	96519471	
			FKM	Ceramic	Hoseclamp	96520469	96520378	96519448	96519471	
			FKM	Ceramic	Rp 3/4	96620078	96520378	96519448	96519471	
			PTFE	Ceramic	Hoseclamp	96690546	96690559	96690553	96519471	
			SS	FKM	Stainless Steel	NPT 3/4	96549437	96520379	96519449	96519471
				FKM	Stainless Steel	Rp 3/4	96520470	96520379	96519449	96519471
	Standard	PP	EPDM	Ceramic	NPT 3/4	96549409	96520372	96519442	96519471	
			EPDM	Ceramic	Hoseclamp	96520463	96520372	96519442	96519471	
			EPDM	Ceramic	Rp 3/4	96620073	96520372	96519442	96519471	
			FKM	Ceramic	NPT 3/4	96549431	96520373	96519443	96519471	
			FKM	Ceramic	Hoseclamp	96520464	96520373	96519443	96519471	
			FKM	Ceramic	Rp 3/4	96620074	96520373	96519443	96519471	
		PVDF	FKM	Ceramic	NPT 3/4	96549432	96520374	96519444	96519471	
			FKM	Ceramic	Hoseclamp	96520465	96520374	96519444	96519471	
			FKM	Ceramic	Rp 3/4	96620075	96520374	96519444	96519471	
			PTFE	Ceramic	NPT 3/4	97766484	96690558	96573952	96519471	
			PTFE	Ceramic	Hoseclamp	96690544	96690558	96573952	96519471	
			SS	EPDM	Stainless Steel	NPT 3/4	97908196	96631331	96578547	96519471
FKM	Stainless Steel	NPT 3/4		96549433	96520375	96519445	96519471			
FKM	Stainless Steel	Rp 3/4		96520466	96520375	96519445	96519471			
PTFE	Stainless Steel	Rp 3/4		98125938	97571880	97571912	96519471			

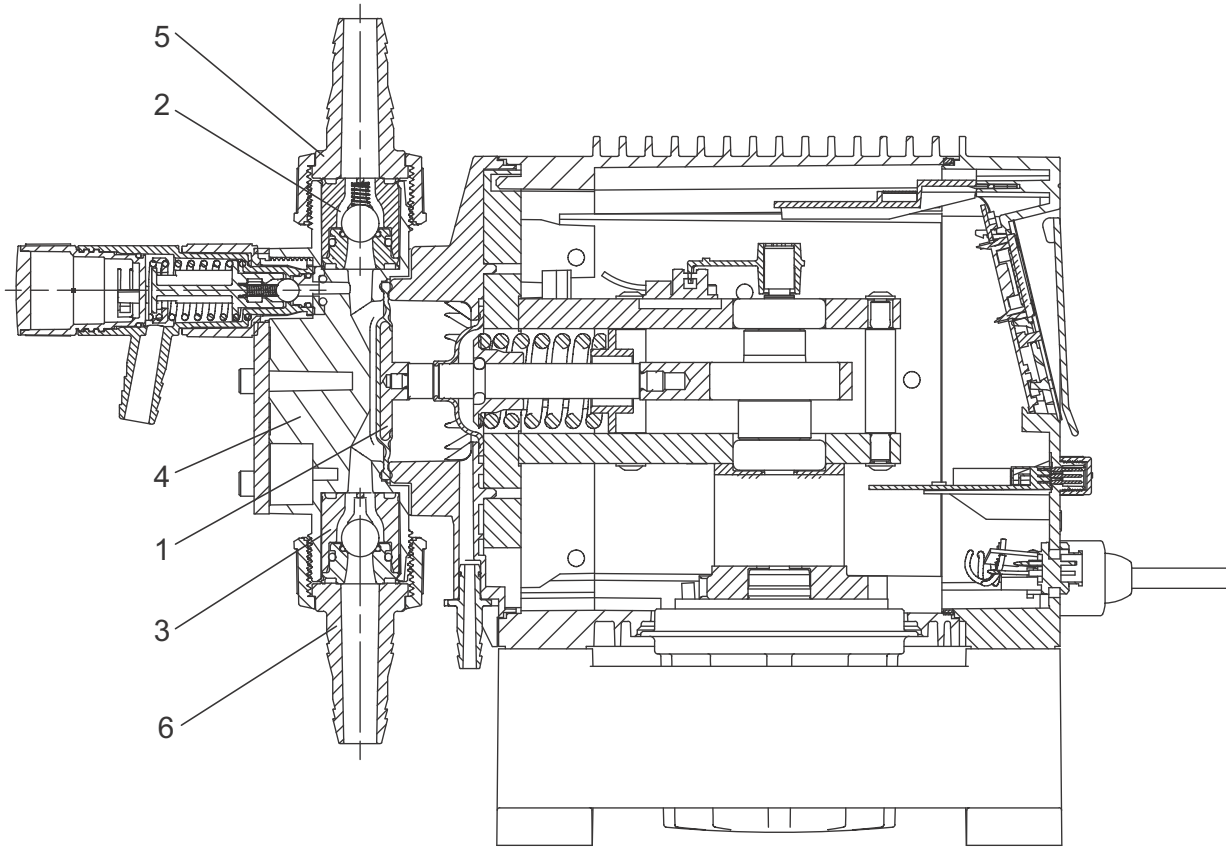
Service kit, DME 375-10

Model	Valves	Dosing head	Materials		Connection	Complete dosing head Pos. 1 + 2 + 3 + 4 + 5 + 6	Valves + diaphragm Pos. 1 + 2 + 3	Non-return valves Pos. 2 + 3	Diaphragm Pos. 1		
			Gaskets	Valve balls							
DME 375-10	Spring loaded	PP	EPDM	Glass	NPT 5/4	96561186	96520384	96519456	96519472		
			EPDM	Glass	Rp 5/4	96520475	96520384	96519456	96519472		
			FKM	Glass	NPT 5/4	96561187	96520385	96519457	96519472		
			FKM	Glass	Rp 5/4	96520476	96520385	96519457	96519472		
			FKM	Glass	NPT 5/4	96561188	96520386	96519458	96519472		
			FKM	Glass	Rp 5/4	96520477	96520386	96519458	96519472		
		PVDF	PTFE	Ceramic	Rp 5/4	96690550	96690561	96690555	96519472		
			FKM	Stainless Steel	NPT 5/4	96561189	96520387	96519459	96519472		
			FKM	Stainless Steel	Rp 5/4	98255134	96520387	96519459	96519472		
			Standard	PP	EPDM	Glass	NPT 5/4	96561182	96520380	96519452	96519472
					EPDM	Glass	Hoseclamp	96520471	96520380	96519452	96519472
					EPDM	Stainless Steel	NPT 5/4	97908194	97851907	96741737	96519472
	PVDF	EPDM		Stainless Steel	Rp 5/4	97521700	97851907	96741737	96519472		
		FKM		Glass	NPT 5/4	96561183	96520381	96519453	96519472		
		FKM		Glass	Hoseclamp	96520472	96520381	96519453	96519472		
	SS	PVDF	FKM	Stainless Steel	Rp 5/4	97915359	97919262	96741742	96519472		
			FKM	Glass	NPT 5/4	96561184	96520382	96519454	96519472		
			FKM	Glass	Hoseclamp	96520473	96520382	96519454	96519472		
		SS	PTFE	Ceramic	Rp 5/4	96690547	96690560	96690554	96519472		
			EPDM	Stainless Steel	NPT 5/4	98132956	96900295	96741871	96519472		
			FKM	Stainless Steel	NPT 5/4	96561185	96520383	96519455	96519472		
	FKM	Stainless Steel	Rp 5/4	96520474	96520383	96519455	96519472				

Service kit, DME 940-4

Model	Valves	Dosing head	Materials		Connection	Complete dosing head Pos. 1 + 2 + 3 + 4 + 5 + 6	Valves + diaphragm Pos. 1 + 2 + 3	Non-return valves Pos. 2 + 3	Diaphragm Pos. 1		
			Gaskets	Valve balls							
DME 940-4	Spring loaded	PP	EPDM	Glass	NPT 5/4	96561204	96520399	96519456	96519473		
			EPDM	Glass	Rp 5/4	96520483	96520399	96519456	96519473		
			FKM	Glass	NPT 5/4	96561205	96520400	96519457	96519473		
			FKM	Glass	Rp 5/4	96520484	96520400	96519457	96519473		
			FKM	Stainless Steel	Rp 5/4	97915396	97919264	96741743	96519473		
			FKM	Glass	NPT 5/4	96561206	96520401	96519458	96519473		
		PVDF	FKM	Glass	Rp 5/4	96520485	96520401	96519458	96519473		
			PTFE	Ceramic	Rp 5/4	96690552	96690563	96690555	96519473		
			FKM	Stainless Steel	NPT 5/4	96561207	96520402	96519459	96519473		
			Standard	PP	FKM	Stainless Steel	Rp 5/4	96520486	96520402	96519459	96519473
					EPDM	Glass	NPT 5/4	96561200	96520391	96519452	96519473
					EPDM	Glass	Rp 5/4	96520479	96520391	96519452	96519473
	PVDF	FKM		Glass	NPT 5/4	96561201	96520393	96519453	96519473		
		FKM		Glass	Rp 5/4	96520480	96520393	96519453	96519473		
		FKM		Glass	NPT 5/4	96561202	96520395	96519454	96519473		
	SS	PVDF	FKM	Glass	Rp 5/4	96520481	96520395	96519454	96519473		
			PTFE	Ceramic	Rp 5/4	96690551	96690562	96690554	96519473		
			PTFE	Glass	NPT 5/4	97766508	97919265	96748547	96519473		
		SS	PTFE	Glass	Rp 5/4	97915360	97919265	96748547	96519473		
			PTFE	PTFE	Rp 5/4	97713544	97713545	96748545	96519473		
			FKM	Stainless Steel	NPT 5/4	96561203	96520397	96519455	96519473		
	FKM	Stainless Steel	Rp 5/4	96520482	96520397	96519455	96519473				

DME 60 to 940 l/h



TM04 4900 2209

DME (all versions)**Vent valve**

Pump size	Materials: Dosing head/gaskets/valve balls	Kit No
DME 2-18	PP/EPDM/ceramic	96484194
DME 8-10	PP/FKM/ceramic	96484193
DME 12-6		
DME 19-6	PVDF/FKM/ceramic	96484195
DME 48-3		
	PP/EPDM/ceramic	96520488
	PP/FKM/ceramic	96520489
DME 60-10	PVDF/FKM/ceramic	96520500
DME 150-4	PVDF/EPDM/Ceramic	96578549
DME 375-10		
DME 940-4	PVDF/FKM/SS	96578570
	PVDF/EPDM/SS	96578571
	PP/EPDM/SS	96770401

Balls for valves

Ball size	Material	Description	Units in the kit	Kit No
Ø4	Ceramic	For vent valve of	12	96530331
Ø4	PTFE	DME 2 to 48 l/h	12	96537690
Ø9	SS	For vent valve of	12	96561057
Ø9.2	Ceramic	DME 60 to 940 l/h	12	96530330
Ø9.2	Ceramic	For non-return valve	12	96530330
Ø9.2	PTFE	For non-return valve	12	96528246
Ø14	Ceramic	For non-return valve	12	96530329
Ø14	PTFE	For non-return valve	12	96528247
Ø15	Ceramic	For valve D15	12	97720573
Ø15	PTFE	For valve D15	12	97720576
Ø28	Ceramic	For valve D28	12	97720577
Ø28	PTFE	For valve D28	12	97720579
Ø28	Hastelloy	For valve D28	2	97775079
Ø28	AISI 316	For valve D28	2	98096620
Ø28	Ceramic	For valve D28	2	98118969

Power cable, DME and DMS

Pump type	Description	Kit No
	Schuko	96497534
	United States	96497535
DME	Switzerland	96497536
DMS	Australia	96497537
	United Kingdom	96497538
	Japan	96497539

SMART Digital S

DDA, DDC, DDE, up to 30 l/h, 1 x 100-240 V, 50/60 Hz

Service kits

Pump type	Valves	Materials			Kit description and product number				Complete dosing head pos. 1 + 2 + 3 + 4 + 5 + 6 + 7 + 8 + 9 + 10	
		Dosing head	Gaskets	Valve balls	Valves + diaphragm pos. 1 + 2 + 3 + 7	Valves pos. 1 + 2	Diaphragm pos. 3	Control variant*		
								B, P, A, AR	FC, FCM	
DDE 6-10 DDC 6-10 DDC 9-7 DDA 7.5-16	Standard	PP	EPDM (E)	Ceramic (C)	97751427	97751599	97751707	97751104	97751116	
			FKM (V)	Ceramic (C)	97751433	97751605	97751707	97751110	97751122	
		PVC	EPDM (E)	Ceramic (C)	97751473	97751623	97751707	97751175	97751193	
			FKM (V)	Ceramic (C)	97751479	97751629	97751707	97751181	97751199	
		PVDF	PTFE (T)	Ceramic (C)	97751485	97751635	97751707	97751187	97751205	
			EPDM (E)	Ceramic (C)	97751527	97751659	97751707	97751283	97751301	
	Spring-loaded	PVC	FKM (V)	Ceramic (C)	97751533	97751665	97751707	97751289	97751307	
			PTFE (T)	Ceramic (C)	97751539	97751671	97751707	97751295	97751313	
		SS	PTFE (T)	Stainless steel (SS)	97751585	97751699	97751707	97751395	97751401	
			EPDM (E)	Ceramic (C)	97751428	97751600	97751707	97751105	97751117	
		PP	FKM (V)	Ceramic (C)	97751434	97751606	97751707	97751111	97751123	
			EPDM (E)	Ceramic (C)	97751474	97751624	97751707	97751176	97751194	
	DDE 15-4 DDC 15-4 DDA 12-10 DDA 17-7	Standard	PVC	FKM (V)	Ceramic (C)	97751480	97751630	97751707	97751182	97751200
				PTFE (T)	Ceramic (C)	97751486	97751636	97751707	97751188	97751206
			PVDF	EPDM (E)	Ceramic (C)	97751528	97751660	97751707	97751284	97751302
				FKM (V)	Ceramic (C)	97751534	97751666	97751707	97751290	97751308
			SS	PTFE (T)	Ceramic (C)	97751540	97751672	97751707	97751296	97751314
				EPDM (E)	Stainless steel (SS)	97751586	97751700	97751707	97751396	97751402
DDA 30-4	Standard	PP	EPDM (E)	Ceramic (C)	97751439	97751611	97751708	97751128	97751140	
			FKM (V)	Ceramic (C)	97751445	97751617	97751708	97751134	97751146	
		PVC	EPDM (E)	Ceramic (C)	97751491	97751641	97751708	97751211	97751229	
			FKM (V)	Ceramic (C)	97751497	97751647	97751708	97751217	97751235	
		PVDF	PTFE (T)	Ceramic (C)	97751503	97751653	97751708	97751223	97751241	
			EPDM (E)	Ceramic (C)	97751545	97751677	97751708	97751319	97751337	
	Spring-loaded	PVC	FKM (V)	Ceramic (C)	97751551	97751683	97751708	97751325	97751343	
			PTFE (T)	Ceramic (C)	97751557	97751689	97751708	97751331	97751349	
		SS	PTFE (T)	Stainless steel (SS)	97751591	97751705	97751708	97751407	97751413	
			EPDM (E)	Ceramic (C)	97751440	97751612	97751708	97751129	97751141	
		PP	FKM (V)	Ceramic (C)	97751446	97751618	97751708	97751135	97751147	
			EPDM (E)	Ceramic (C)	97751492	97751642	97751708	97751212	97751230	
DDA 30-4	Spring-loaded	PVC	FKM (V)	Ceramic (C)	97751498	97751648	97751708	97751218	97751236	
			PTFE (T)	Ceramic (C)	97751504	97751654	97751708	97751224	97751242	
		PVDF	EPDM (E)	Ceramic (C)	97751546	97751678	97751708	97751320	97751338	
			FKM (V)	Ceramic (C)	97751552	97751684	97751708	97751326	97751344	
		SS	PTFE (T)	Ceramic (C)	97751558	97751690	97751708	97751332	97751350	
			EPDM (E)	Stainless steel (SS)	97751592	97751706	97751708	97751408	97751414	
DDA 30-4	Standard	PP	EPDM (E)	Ceramic (C)	97751461	97751611	97751709	97751151	97751163	
			FKM (V)	Ceramic (C)	97751467	97751617	97751709	97751157	97751169	
		PVC	EPDM (E)	Ceramic (C)	97751509	97751641	97751709	97751247	97751265	
			FKM (V)	Ceramic (C)	97751515	97751647	97751709	97751253	97751271	
		PVDF	PTFE (T)	Ceramic (C)	97751521	97751653	97751709	97751259	97751277	
			EPDM (E)	Ceramic (C)	97751563	97751677	97751709	97751355	97751373	
	Spring-loaded	PVC	FKM (V)	Ceramic (C)	97751569	97751683	97751709	97751361	97751379	
			PTFE (T)	Ceramic (C)	97751575	97751689	97751709	97751367	97751385	
		SS	PTFE (T)	Stainless steel (SS)	97751597	97751705	97751709	97751419	97751425	
			EPDM (E)	Ceramic (C)	97751462	97751612	97751709	97751152	97751164	
		PP	FKM (V)	Ceramic (C)	97751468	97751618	97751709	97751158	97751170	
			EPDM (E)	Ceramic (C)	97751510	97751642	97751709	97751248	97751266	
DDA 30-4	Spring-loaded	PVC	FKM (V)	Ceramic (C)	97751516	97751648	97751709	97751254	97751272	
			PTFE (T)	Ceramic (C)	97751522	97751654	97751709	97751260	97751278	
		PVDF	EPDM (E)	Ceramic (C)	97751564	97751678	97751709	97751356	97751374	
			FKM (V)	Ceramic (C)	97751570	97751684	97751709	97751362	97751380	
		SS	PTFE (T)	Ceramic (C)	97751576	97751690	97751709	97751368	97751386	
			EPDM (E)	Stainless steel (SS)	97751598	97751706	97751709	97751420	97751426	

* The dosing heads of DDA control variants FC and FCM are equipped with a pressure sensor.

Control cube (only DDA and DDC)

Pos.	Description	Kit No
12	Screws, plugs	97790966
13	Display cover	97790958

Deaeration valve

Pos.	Materials		Kit No
	Valve body	Gasket	
	PP	EPDM (E)	97790986
		FKM (V)	97790987
9	PVC	EPDM (E)	97790988
		FKM (V)	97790989
	PVDF	EPDM (E)	97790990
		FKM (V)	97790991

Dosing head cover

Pos.	Description	Type	Kit No
8	DDA, DDC, DDE up to 17l/h	PP	97790967
	DDA 30 l/h	SS	97790968

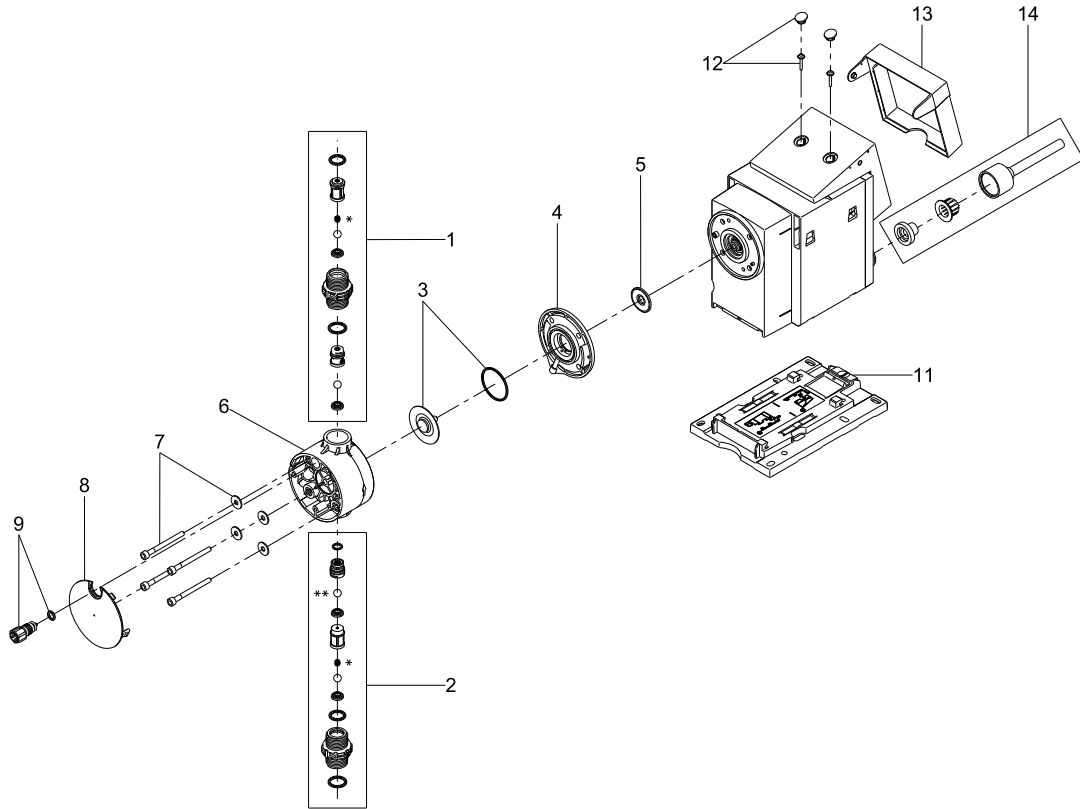
Mounting plate

Pos.	Description	Kit No
11	Mounting plate and screws	97790957

Power cable

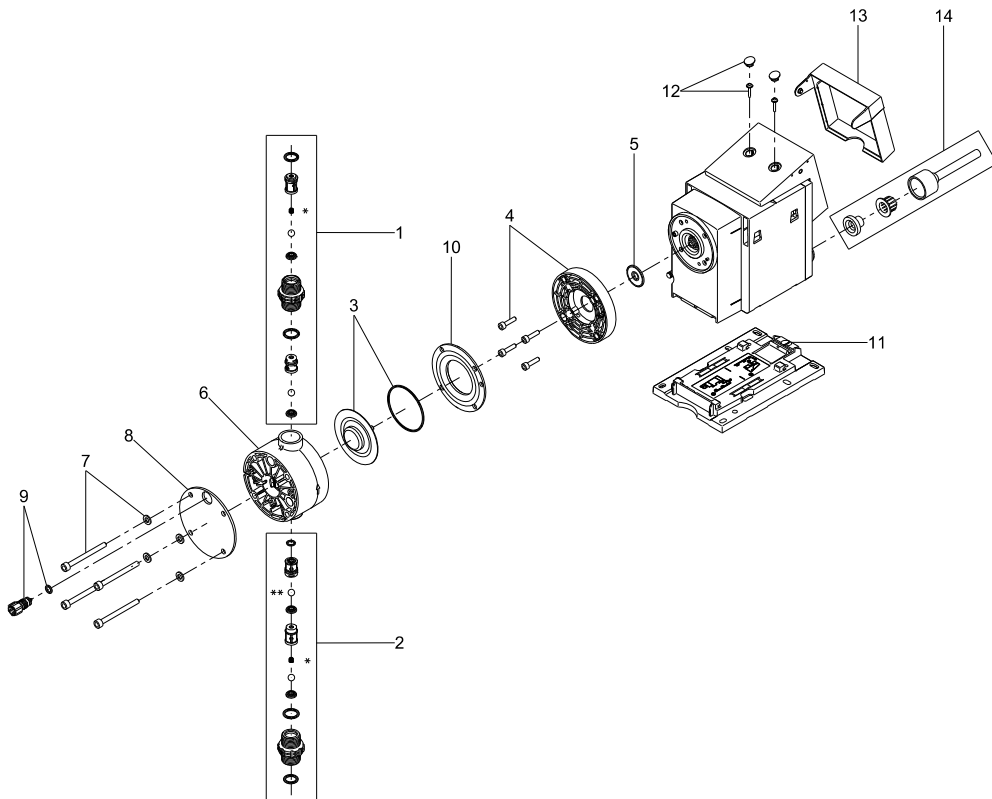
Pos.	Country	Type	Kit No
14	EU	F	97790969
	USA	B	97790970
	Canada	B	97790970
	UK	G	97790981
	Australia	I	97790982
	New Zealand	I	97790982
	Taiwan	I	97790982
	Japan	J	97790984
	Switzerland	E	97790983
	Argentina	L	97790985

DDA, DDC, DDE, up to 17 l/h



TM04 9566 4710

DDA, 30 l/h



TM04 9565 4710

* Only for spring-loaded valves.
 ** Not for spring-loaded valves.

SMART Digital XL

DDA, DDE, 60-200 l/h, 1 x 100-240 V, 50/60 Hz

Service kits

Pump type	Valves	Materials		Kit description and product number								
				Valves + diaphragm		Valve	Diaphragm		Complete dosing head			
		Head	Gasket	Valve ball	pos. 1 + 2 + 3 + 4 + 7		pos. 1 + 2	pos. 3 + 4		pos. 1 + 2 + 3 + 4 + 6 + 7 + 8 + 9 + 10		
					Standard	DLD*		Standard	DLD*	Control variant:		
								DDE-B, DDE-AR, DDA-AR	DDA-AR (DLD*)	DDA-FCM**		
DDA 60-10 DDE 60-10	PVC	EPDM	Ceramic	99151275	99151299	99151369	99151383	99151384	99151389	99151431	99151474	
		FKM	Ceramic	99151276	99151300	99151370	99151383	99151384	99151390	99151432	99151475	
		PTFE	Ceramic	99151277	99151301	99151371	99151383	99151384	99151391	99151433	99151476	
		PTFE	PTFE	99192660	99192764	99192788	99151383	99151384	99192796	99192820	99192844	
	Std	EPDM	Ceramic	99151278	99151302	99151372	99151383	99151384	99151392	99151434	99151477	
		FKM	Ceramic	99151279	99151303	99151373	99151383	99151384	99151393	99151435	99151478	
		PVDF	PTFE	Ceramic	99151280	99151304	99151374	99151383	99151384	99151394	99151436	99151479
		PTFE	PTFE	99192661	99192765	99192789	99151383	99151384	99192797	99192821	99192845	99422697***
	SS	EPDM	SS	99192662	99192766	99192790	99151383	99151384	99192798	99192822	99192846	
		FKM	SS	99192743	99192767	99192791	99151383	99151384	99192799	99192823	99192847	
		PTFE	SS	99151281	99151305	99151375	99151383	99151384	99151395	99151437	99151480	
		EPDM	Ceramic	99151282	99151306	99151376	99151383	99151384	99151396	99151438	99151481	
	PVC	FKM	Ceramic	99151293	99151307	99151377	99151383	99151384	99151397	99151439	99151482	
		PTFE	Ceramic	99151294	99151308	99151378	99151383	99151384	99151398	99151440	99151483	
		PTFE	PTFE	99192744	99192768	99192792	99151383	99151384	99192800	99192824	99192848	
		EPDM	Ceramic	99151295	99151309	99151379	99151383	99151384	99151399	99151441	99151484	
	Spring loaded	PVDF	FKM	Ceramic	99151296	99151310	99151380	99151383	99151384	99151400	99151442	99151485
		PTFE	Ceramic	99151297	99151311	99151381	99151383	99151384	99151401	99151443	99151486	
		PTFE	PTFE	99192745	99192769	99192793	99151383	99151384	99192801	99192825	99192849	
		EPDM	SS	99192746	99192770	99192794	99151383	99151384	99192802	99192826	99192850	
	SS	FKM	SS	99192747	99192771	99192795	99151383	99151384	99192803	99192827	99192851	
		PTFE	SS	99151298	99151312	99151382	99151383	99151384	99151402	99151444	99151487	
		EPDM	Ceramic	99151313	99151327	99151369	99151385	99151386	99151403	99151445	99151488	
		FKM	Ceramic	99151314	99151328	99151370	99151385	99151386	99151404	99151446	99151489	
PVC	PTFE	Ceramic	99151315	99151329	99151371	99151385	99151386	99151405	99151447	99151490		
	PTFE	PTFE	99192748	99192772	99192788	99151385	99151386	99192804	99192828	99192852		
	EPDM	Ceramic	99151316	99151330	99151372	99151385	99151386	99151406	99151448	99151491		
	FKM	Ceramic	99151317	99151331	99151373	99151385	99151386	99151407	99151449	99151492		
Std	PVDF	PTFE	Ceramic	99151318	99151332	99151374	99151385	99151386	99151408	99151450	99151493	
	PTFE	PTFE	99192749	99192773	99192789	99151385	99151386	99192805	99192829	99192853	99422699***	
	EPDM	SS	99192750	99192774	99192790	99151385	99151386	99192806	99192830	99192854		
	FKM	SS	99192751	99192775	99192791	99151385	99151386	99192807	99192831	99192855		
DDA 120-7 DDE 120-7	PTFE	SS	99151319	99151333	99151375	99151385	99151386	99151409	99151451	99151494		
	EPDM	Ceramic	99151320	99151334	99151376	99151385	99151386	99151410	99151452	99151495		
	FKM	Ceramic	99151321	99151335	99151377	99151385	99151386	99151411	99151453	99151496		
	PTFE	Ceramic	99151322	99151336	99151378	99151385	99151386	99151412	99151454	99151497		
Spring loaded	PTFE	PTFE	99192752	99192776	99192792	99151385	99151386	99192808	99192832	99192856		
	EPDM	Ceramic	99151323	99151337	99151379	99151385	99151386	99151413	99151455	99151498		
	FKM	Ceramic	99151324	99151338	99151380	99151385	99151386	99151414	99151456	99151499		
	PTFE	Ceramic	99151325	99151339	99151381	99151385	99151386	99151415	99151457	99151500		
SS	PTFE	PTFE	99192753	99192777	99192793	99151385	99151386	99192809	99192833	99192857		
	EPDM	SS	99192754	99192778	99192794	99151385	99151386	99192810	99192834	99192858		
	FKM	SS	99192755	99192779	99192795	99151385	99151386	99192811	99192835	99192859		
	PTFE	SS	99151326	99151340	99151382	99151385	99151386	99151416	99151458	99151501		

Pump type	Valves	Materials			Kit description and product number								
		Head	Gasket	Valve ball	Valves + diaphragm		Valve	Diaphragm		Complete dosing head			
					pos. 1 + 2 + 3 + 4 + 7			pos. 1 + 2	pos. 3 + 4		pos. 1 + 2 + 3 + 4 + 6 + 7 + 8 + 9 + 10		
					Standard	DLD*	Standard		DLD*	Control variant:			
									DDE-B, DDE-AR, DDA-AR	DDA-AR (DLD*)	DDA-FCM**		
DDA 200-4 DDE 200-4	PVC	EPDM	Ceramic		99151341	99151355	99151369	99151387	99151388	99151417	99151459	99151502	
		FKM	Ceramic		99151342	99151356	99151370	99151387	99151388	99151418	99151460	99151503	
		PTFE	Ceramic		99151343	99151357	99151371	99151387	99151388	99151419	99151462	99151504	
		PTFE	PTFE		99192756	99192780	99192788	99151387	99151388	99192812	99192836	99192860	
		EPDM	Ceramic		99151344	99151358	99151372	99151387	99151388	99151420	99151463	99151505	
		FKM	Ceramic		99151345	99151359	99151373	99151387	99151388	99151421	99151464	99151506	
	Std	PVDF	PTFE	Ceramic		99151346	99151360	99151374	99151387	99151388	99151422	99151465	99151507
			PTFE	PTFE		99192757	99192781	99192789	99151387	99151388	99192813	99192837	99192861 99422700***
			EPDM	SS		99192758	99192782	99192790	99151387	99151388	99192814	99192838	99192862
	SS		FKM	SS		99192759	99192783	99192791	99151387	99151388	99192815	99192839	99192863
			PTFE	SS		99151347	99151361	99151375	99151387	99151388	99151423	99151466	99151508
			EPDM	Ceramic		99151348	99151362	99151376	99151387	99151388	99151424	99151467	99151509
	PVC		FKM	Ceramic		99151349	99151363	99151377	99151387	99151388	99151425	99151468	99151510
			PTFE	Ceramic		99151350	99151364	99151378	99151387	99151388	99151426	99151469	99151511
			PTFE	PTFE		99192760	99192784	99192792	99151387	99151388	99192816	99192840	99192864
	Spring loaded	PVDF	EPDM	Ceramic		99151351	99151365	99151379	99151387	99151388	99151427	99151470	99151512
			FKM	Ceramic		99151352	99151366	99151380	99151387	99151388	99151428	99151471	99151513
			PTFE	Ceramic		99151353	99151367	99151381	99151387	99151388	99151429	99151472	99151514
	SS		PTFE	PTFE		99192761	99192785	99192793	99151387	99151388	99192817	99192841	99192865
			EPDM	SS		99192762	99192786	99192794	99151387	99151388	99192818	99192842	99192866
			FKM	SS		99192763	99192787	99192795	99151387	99151388	99192819	99192843	99192867
			PTFE	SS		99151354	99151368	99151382	99151387	99151388	99151430	99151473	99151515

* DLD = Diaphragm Leakage Detection.
 ** The dosing head of DDA control variant FCM is equipped with a pressure sensor.
 *** Kit only for pumps with Sapphire Pressure Sensor for fluoride containing media.
 Std = Standard
 SS = Stainless steel

Deaeration valve

Pos.	Materials		Kit No.
	Valve body	Gasket	
9	PVC	EPDM	99580608
		FKM	99580609
	PVDF	EPDM	99580610
		FKM	99580611

The replacement of the deaeration valve requires a special tool kit:

Description	Quantity	Kit no.
Special tool kit for deaeration valve replacement	1	99396558

Flange

Pos.	Description	Quantity	Kit no.	
			Pump type:	
			DDA 120-7 DDE 120-7	DDA 200-4 DDE 200-4
5	Pump head flange	1	99332869	99332870
7	Screw	4		
4	O-ring	1		

Cover set

Pos.	Description	Quantity	Kit no.
13	Cover for Cube	1	99517558
12	Cover for screw	2	
13a	Cover for plug	6	

Mounting plate

Pos.	Description	Quantity	Kit no.
11	Mounting plate	1	99151552
12	Screws	2	

Diaphragm Leakage Detection (DLD)

Pos.	Description	Quantity	Kit no.
15	Pressure switch and gasket	1	99185328

I/O board

NOTE: This spare part must only be replaced by certified service persons authorised and qualified by Grundfos.

Pos.	Description	Quantity	Kit No.		
			Control variant:		
			DDA-AR DDA-FCM	DDE-B	DDE-AR
17	I/O board	1	99332897	99332898	99332899
12	Screw	4			

Control cube

NOTE: This spare part must only be replaced by certified service persons authorised and qualified by Grundfos.

Pos.	Description	Quantity	Kit No.		
			Control variant:		
			DDA-AR DDA-FCM	DDE-B	DDE-AR
16	Control cube	1	99332894	99332895	99332896
12	Screw	2			
-	O-ring	1			

Power cable

Pos.	Country	Type	Kit No.
14 14a	EU	F	99151545
	USA	B	99151546
	Canada	B	99151546
	UK	G	99151547
	Australia	I	99151548
	New Zealand	I	99151548
	Taiwan	I	99151548
	Japan	J	99151549
	Switzerland	E	99151550
	Argentina	L	99151551

Cover plate

Pos.	Pump type	Variant	Kit No.
8	DDA 60-10	without DLD	99529625
	DDE 60-10	with DLD	99529632
	DDA 120-7	without DLD	99529644
	DDE 120-7	with DLD	99529650
	DDA 200-4	without DLD	99529652
	DDE 200-4	with DLD	99529653

Screws

Pos.	Pump type	Dosing head material	Quantity	Kit No.	
7	DDA 60-10 DDE 60-10	PVC, PVDF	12	99396530	
	DDA 60-10 DDE 60-10	SS	12	99396531	
	DDA 120-7 DDE 120-7 DDA 200-4 DDE 200-4	PVC, PVDF	12	99396532	
	DDA 120-7 DDE 120-7 DDA 200-4 DDE 200-4	SS	12	99396553	
	12	All	All	24	99517706

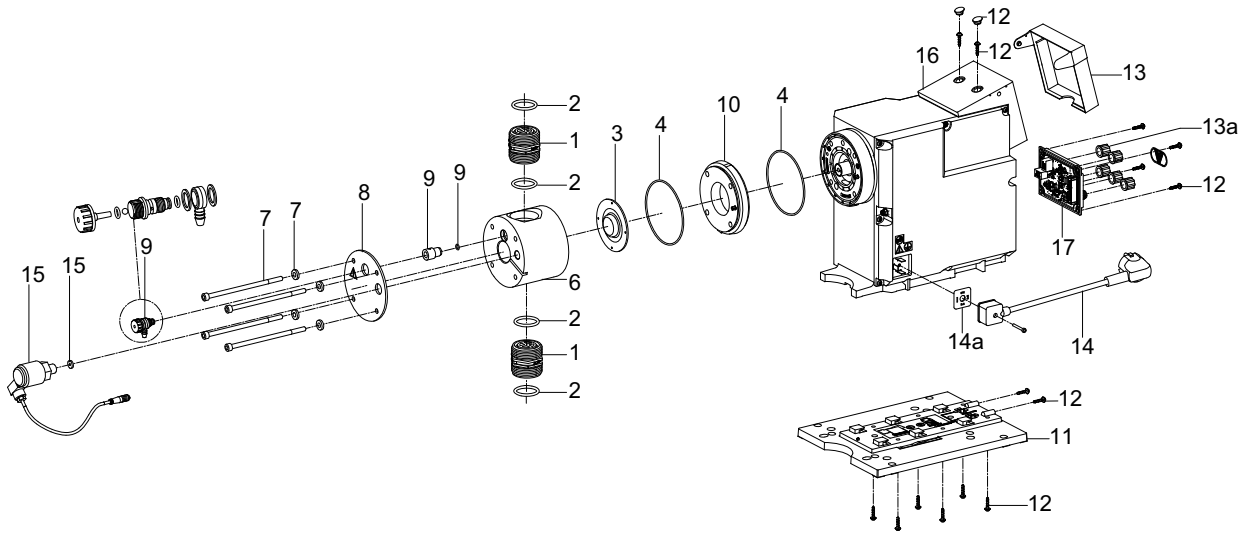
Washer

Pos.	Description	Quantity	Kit No.
7	Washer	24	99540321

O-ring

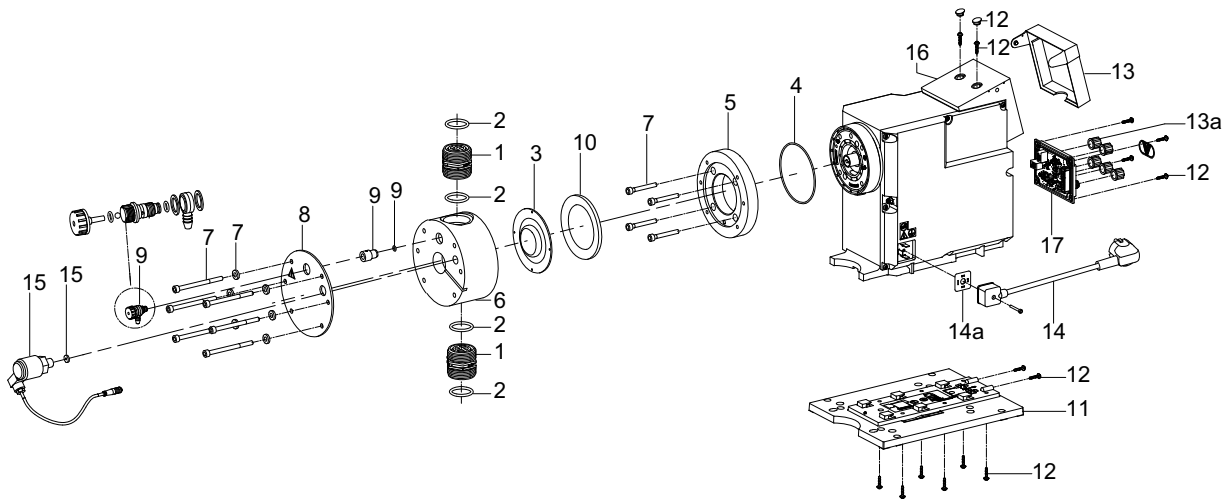
Pos.	Description	Quantity	Kit No.
4	O-ring - EPDM	30	99517709
	O-ring - FKM	20	99517744
2	O-ring - PTFE/ FKM	20	99517971
	O-ring - EPDM	20	99517983

DDA, DDE, 60 l/h



TM07 3277 1119

DDA, DDE, 120 - 200 l/h



TM07 3278 1119

DMH

DMH 1 x 115-240V, 50/60 Hz; 3 x 240/400V, 50Hz

Model 251 and 252, DN size 8

Nominal capacity [l/h]	Materials			2 valves + diaphragm	1 valve (standard)	1 valve (spring-loaded) 0.8 bar	Kit diaphragm		Kit dosing head	
	Head / valve body	Gaskets	Balls				Standard	DLD	Standard	DLD
All	SS	PTFE	SS	98807236*	98798546	On req.	99145999	98736902	98961637	98837940
	SS coated	PTFE	Ceramic	On req.	On req.	On req.	99145999	98736902	On req.	On req.
	Alloy C-4	PTFE	Alloy C-4	98807232*	98798552	On req.	99145999	98736902	98961638	98837942
All capacities at 25 bar	SS	FKM	SS	98807234*	98798547	On req.	99145999	98736902	On req.	On req.
	PP	EPDM	PTFE	98803615	98803612	On req.	99145999	98736902	98961634	98837941
	PP	FKM	Ceramic	98803618	98803600	On req.	99145999	98736902	98961634	98837941
	PP	EPDM	Ceramic	98803622	98798553	On req.	99145999	98736902	98961634	98837941
	PP	EPDM	SS	98803623	98803597	On req.	99145999	98736902	98961634	98837941
All capacities below 16 bar	PVDF	PTFE	Ceramic	98807230	99042682	On req.	99145999	98736902	98961636	98837939
	PVDF	PTFE	PTFE	98807231	99042694	On req.	99145999	98736902	98961636	98837939
	PVC	EPDM	Ceramic	On req.	98798550	On req.	99145999	98736902	98961635	98837938
	PVC	EPDM	SS	91836525	98798541	On req.	99145999	98736902	98961635	98837938
	PVC	PTFE	PTFE	95724883	98798545	On req.	99145999	98736902	98961635	98837938
	PVC	FKM	Ceramic	96688994	98798542	On req.	99145999	98736902	98961635	98837938
	PVC	FKM	SS	On req.	98798543	On req.	99145999	98736902	98961635	98837938
	PVC	EPDM	PTFE	On req.	98798548	On req.	99145999	98736902	98961635	98837938
	PVC	PTFE	SS	On req.	On req.	On req.	99145999	98736902	98961635	98837938
	SS	FKM	SS	98807237*	98798547	On req.	99145999	98736902	On req.	On req.

* Kit contains only inner valve parts.

Model 253, DN size 20

Nominal capacity [l/h]	Materials			2 valves + diaphragm	1 valve (standard)	1 valve (spring-loaded) 0.6 bar	Kit diaphragm		Kit dosing head	
	Head / valve body	Gaskets	Balls				Standard	DLD	Standard	DLD
21, 43, 67, 83, 100	PP	EPDM	PTFE	96375327	98828458	98863249	99146000	98736903	98961639	98837934
	PP	FKM	Glass	91836421	98828459	98863250	99146000	98736903	98961639	98837934
	PVDF	PTFE	PTFE	On req.	98828464	98863254	99146000	98736903	98961642	98837936
	PVC	EPDM	Ceramic	On req.	98794843		99146000	98736903	98961641	98837935
	PVC	EPDM	SS	91835851	98828456	98863247	99146000	98736903	98961641	98837935
	PVC	EPDM	PTFE	96375327	98828468	98863252	99146000	98736903	98961641	98837935
	PVC	PTFE	Ceramic	On req.	98828469	98863253	99146000	98736903	98961641	98837935
	PVC	PTFE	PTFE	On req.	98802208		99146000	98736903	98961641	98837935
	PVC	FKM	Glass	91836421	98828457	98863248	99146000	98736903	98961641	98837935
	PVC	FKM	SS	98776778	98828463	98863257	99146000	98736903	98961641	98837935
	SS	EPDM	SS	98981388*	98812756		99146000	98736903	98961643	98837937
	SS	PTFE	SS	96688913*	98812758	98863256	99146000	98736903	98961643	98837937
	SS	FKM	SS	96375328*	98828465	98863255	99146000	98736903	98961643	98837937

* Kit contains only inner valve parts.

Model 254, DN size 20

Nominal capacity [l/h]	Materials			2 valves + diaphragm	1 valve (standard)	1 valve (spring-loaded) 0.6 bar	Kit diaphragm		Kit dosing head	
	Head / valve body	Gaskets	Balls				Standard	DLD	Standard	DLD
50, 102, 143, 175, 213, 291, 97, 136, 166, 202, 276	PP	EPDM	PTFE	96375329	98828458	98863249	99145959	98736904	98961644	On req.
	PP	PTFE	PTFE	On req.	98828467		99145959	98736904	98961644	On req.
	PP	FKM	Glass	91835933	98828459	98863250	99145959	98736904	98961644	On req.
	PVDF	PTFE	PTFE	91835935	98828464	98863254	99145959	98736904	98961645	On req.
	PVC	EPDM	SS	91835852	98828456	98863247	99145959	98736904	98795105	98795108
	PVC	EPDM	PTFE	96375329	98828468	98863252	99145959	98736904	98795105	98795108
	PVC	PTFE	PTFE	On req.	98802208		99145959	98736904	98795105	98795108
	PVC	FKM	Glass	91835933	98828457	98863248	99145959	98736904	98795105	98795108
	PVC	FKM	SS	On req.	98828463	98863257	99145959	98736904	98795105	98795108
	SS	EPDM	SS	96689004*	98812756		99145959	98736904	98795106	98795109
	SS	PTFE	SS	96697502*	98812758	98863256	99145959	98736904	98795106	98795109
	SS	FKM	SS	96375330*	98828465	98863255	99145959	98736904	98795106	98795109
	SS coated	PTFE	Ceramic	On req.	98812738		99145959	98736904	On req.	On req.

* Kit contains only inner valve parts.

Model 255, DN size 20

Nominal capacity [l/h]	Head / valve body	Materials			2 valves + diaphragm	1 valve (standard)	1 valve (spring-loaded) 0.6 bar	Kit diaphragm		Kit dosing head	
		Gaskets	Balls					Standard	DLD	Standard	DLD
194, 270, 332, 403	PP	EPDM	PTFE		On req.	98828458	98863249	99146002	98736905	98961646	98974158
	PP	FKM	Glass		On req.	98828459	98863250	99146002	98736905	98961646	98974158
	PVDF	PTFE	PTFE		On req.	98828464	98863254	99146002	98736905	98961648	98974171
	PVC	EPDM	Ceramic		On req.	98794843	-	99146002	98736905	98961647	98974159
	PVC	EPDM	SS		On req.	98828456	98863247	99146002	98736905	98961647	98974159
	PVC	EPDM	PTFE		96375331	98828468	98863252	99146002	98736905	98961647	98974159
	PVC	PTFE	PTFE		On req.	98802208	-	99146002	98736905	98961647	98974159
	PVC	FKM	Glass		96689016	98828457	98863248	99146002	98736905	98961647	98974159
	PVC	FKM	SS		On req.	98828463	98863257	99146002	98736905	98961647	98974159
	SS	EPDM	SS		98981389*	98812756	-	99146002	98736905	98961650	98974160
	SS	PTFE	SS		98981390*	98812758	98863256	99146002	98736905	98961650	98974160
	SS	FKM	SS		96375332*	98828465	98863255	99146002	98736905	98961650	98974160
	Alloy C-4	PTFE	Alloy C-4		96688847*	98812736	98863258	99146002	98736905	98961649	On req.

* Kit contains only inner valve parts.

Model 255, DN size 20/32

Nominal capacity [l/h]	Head / valve body	Materials			2 valves* + diaphragm	1 valve (inlet side)	1 valve (outlet side)	Kit diaphragm		Kit dosing head	
		Gaskets	Balls					Standard	DLD	Standard	DLD
484, 540, 550	PP	EPDM	PTFE		On req.	98926659	98828458	99146002	98736905	98961646	98974158
	PP	FKM	Glass		On req.	98926660	98828459	99146002	98736905	98961646	98974158
	PVDF	PTFE	PTFE		91835939	98926674	98828464	99146002	98736905	98961648	98974171
	PVC	EPDM	SS		98734766	98926671	98828456	99146002	98736905	98961647	98974159
	PVC	FKM	Glass		91836545	98926672	98828457	99146002	98736905	98961647	98974159
	SS	EPDM	SS		98032805	98926676	98812756	99146002	98736905	98961650	98974160
	SS	PTFE	SS		98032806	98926677	98812758	99146002	98736905	98961650	98974160
	SS	FKM	SS		96375334	98926678	98828465	99146002	98736905	98961650	98974160
	Alloy C-4	PTFE	Alloy C-4		On req.	On req.	98812736	99146002	98736905	98961649	On req.

* For DN 32 valves as well as all SS and Alloy C-4 valves the kit contains only inner valve parts.

Model 257, DN size 32

Nominal capacity [l/h]	Head / valve body	Materials			2 valves* + diaphragm	1 valve (inlet side)	1 valve (outlet side)	1 valve (spring-loaded) 0.6 bar	Kit diaphragm		Kit dosing head	
		Gaskets	Balls						Standard	DLD	Standard	DLD
220, 440, 575, 750, 770, 880, 1150, 1500	PP	EPDM	Glass		98812530	98926686	98927603	-	99146013	98736906	98961661	98974154
	PP	EPDM	SS		98812529	98926687	98927604	On req.	99146013	98736906	98961661	98974154
	PP	FKM	Glass		98812528	98926679	98927605	On req.	99146013	98736906	98961661	98974154
	PVDF	PTFE	PTFE		98812525	98926682	98927608	-	99146013	98736906	98961663	98974156
	PVC	EPDM	SS		98734768	98926680	98927606	-	99146013	98736906	98961662	98974155
	PVC	FKM	Glass		98812527	98926681	98927607	On req.	99146013	98736906	98961662	98974155
	SS	EPDM	SS		98812524	98926683	98927609	-	99146013	98736906	98961664	98974157
	SS	PTFE	SS		98812523	98926684	98927610	-	99146013	98736906	98961664	98974157
	SS	FKM	SS		98812489	98926685	98927611	On req.	99146013	98736906	98961664	98974157

* Kit contains only inner valve parts.

Model 280, DN size 4

Nominal capacity [l/h]	Head / valve body	Materials			2 valves* + diaphragm	1 valve (spring-loaded) 0.05 bar	Kit diaphragm		Kit dosing head	
		Gaskets	Balls				Standard	DLD	Standard	DLD
1.3, 2.2, 2.5, 3.3	SS	EPDM	Ceramic		99054883	98725116	99146014	98736907	98961665	On req.
	SS	PTFE	Ceramic		99054884	98725118	99146014	98736907	98961665	On req.
	SS	FKM	Ceramic		99054885	98725117	99146014	98736907	98961665	On req.

* Kit contains only inner valve parts.

Model 281, DN size 8

Nominal capacity [l/h]	Materials			2 valves* + diaphragm	1 valve (spring-loaded) 0.05 bar	Kit diaphragm		Kit dosing head	
	Head / valve body	Gaskets	Balls			Standard	DLD	Standard	DLD
2, 4.2, 6.4, 8, 9.6	SS	PTFE	SS	98981411	98742209	99146015	98736908	98793708	98793709
	SS	FKM	SS	99054872	98742221	99146015	98736908	98793708	98793709
	Alloy C-4	PTFE	Alloy C-4	96688853	98736910	99146015	98736908	98793707	On req.

* Kit contains only inner valve parts.

Model 283, DN size 20

Nominal capacity [l/h]	Materials			2 valves* + diaphragm	1 valve (spring-loaded) 0.05 bar	Kit diaphragm		Kit dosing head	
	Head / valve body	Gaskets	Balls			Standard	DLD	Standard	DLD
10, 19, 27, 33, 40, 55	SS	PTFE	SS	99054870	98733078	99146016	98736909	98963144	On req.
	SS	FKM	SS	99054871	98733079	99146016	98736909	98963144	On req.
	SS coated	PTFE	Ceramic	On req.	98733080	99146016	98736909	On req.	On req.
	Alloy C-4	PTFE	Alloy C-4	96689007	98733077	99146016	98736909	98963143	On req.

* Kit contains only inner valve parts.

Model 285, DN size 20

Nominal capacity [l/h]	Materials			2 valves* + diaphragm	1 valve (spring-loaded) 0.05 bar	Kit diaphragm		Kit dosing head	
	Head / valve body	Gaskets	Balls			Standard	DLD	Standard	DLD
20, 40, 52, 70, 80, 105	SS	PTFE	SS	99054870	98733078	99146016	98736909	98963144	On req.
	SS	FKM	SS	99054871	98733079	99146016	98736909	98963144	On req.
	Alloy C-4	PTFE	Alloy C-4	96689007	98733077	99146016	98736909	98963143	On req.

* Kit contains only inner valve parts.

Model 286, DN size 20

Nominal capacity [l/h]	Materials			2 valves* + diaphragm	1 valve (standard)	Kit diaphragm		Kit dosing head	
	Head / valve body	Gaskets	Balls			Standard	DLD	Standard	DLD
85, 111, 170, 222	SS	EPDM	SS	98981412	98812740	99145959	98736904	98963145	On req.
	SS	PTFE	SS	99054886	98812752	99145959	98736904	98963145	On req.
	SS	FKM	SS	99054887	98812753	99145959	98736904	98963145	On req.
	SS coated	PTFE	Ceramic	On req.	On req.	99145959	98736904	On req.	On req.
	Alloy C-4	PTFE	Alloy C-4	On req.	98812739	99145959	98736904	On req.	On req.

* Kit contains only inner valve parts.

Model 287, DN size 8

Nominal capacity [l/h]	Materials			2 valves* + diaphragm	1 valve (spring-loaded) 0.05 bar	Kit diaphragm		Kit dosing head	
	Head / valve body	Gaskets	Balls			Standard	DLD	Standard	DLD
9, 18, 23, 31, 36, 50	SS	PTFE	SS	99054888	98742209	99145956	98736922	98963146	On req.
	SS	FKM	SS	99054890	98742221	99145956	98736922	98963146	On req.
	SS	EPDM	SS	99145980	98742222	99145956	98736922	98963146	On req.

* Kit contains only inner valve parts.

Model 288, DN size 8

Nominal capacity [l/h]	Materials			2 valves* + diaphragm	1 valve (spring-loaded) 0.05 bar	Kit diaphragm		Kit dosing head	
	Head / valve body	Gaskets	Balls			Standard	DLD	Standard	DLD
3.3, 7.5, 10, 13, 15, 21	SS	EPDM	SS	98981414	98742222	99145956	98736922	98963148	On req.
	SS	PTFE	SS	99057329	98742209	99145956	98736922	98963148	On req.
	SS	FKM	SS	99057330	98742221	99145956	98736922	98963148	On req.

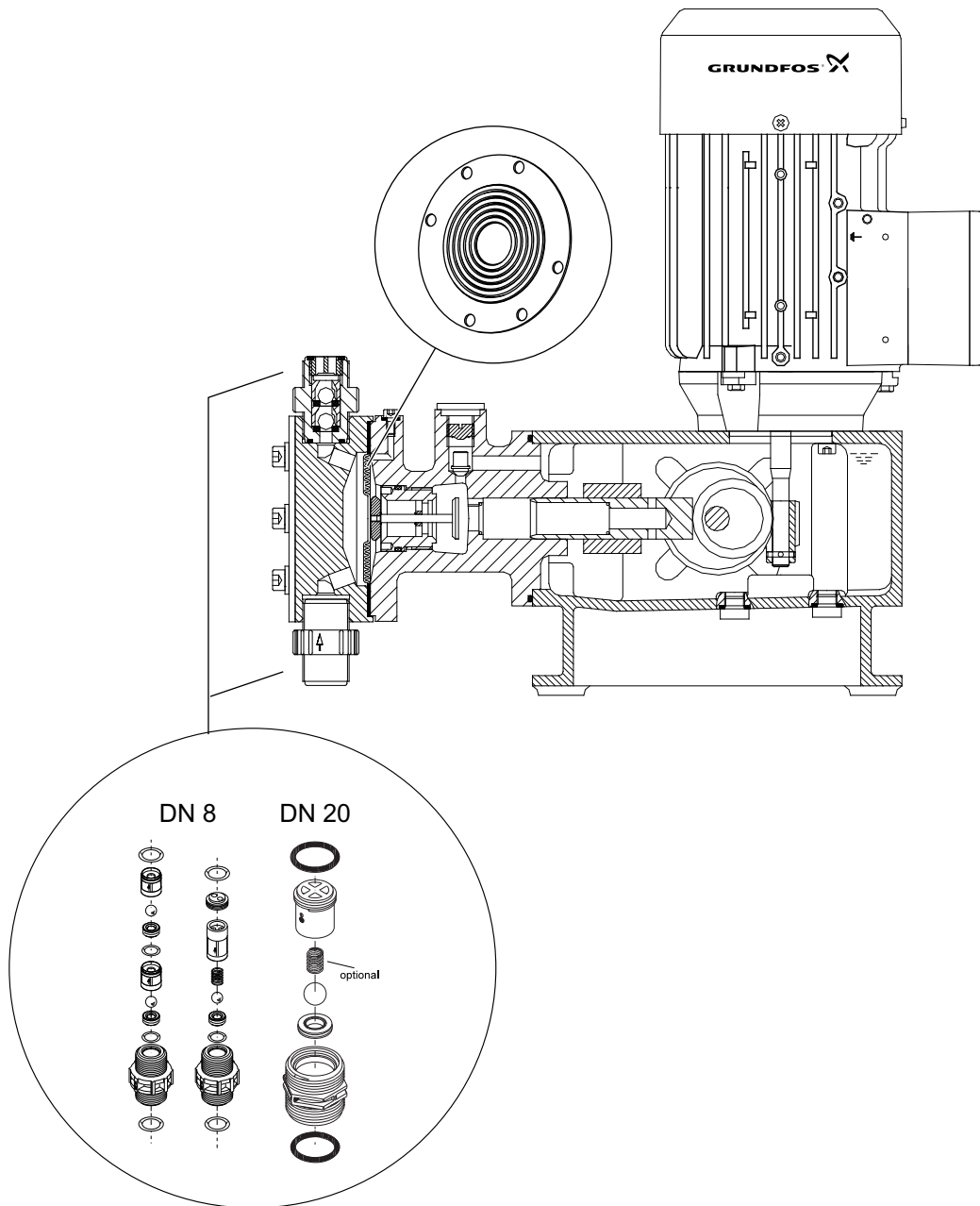
* Kit contains only inner valve parts.

DMH lubricant kits

The kits include maintenance parts like gaskets, oil filter etc.

Model	Oil type	One dosing head		Two dosing heads	
		Approx. quantity [l]	Kit No	Approx. quantity [l]	Kit No
251	Paraffinum	1.3	98683954	1.3	98683954
252, 10 bar	Paraffinum	1.3	98683954	1.3	98683954
252, 16 bar	DHG 68	1.3	98683955	1.3	98683955
253	DHG 68	1.3	98683955	1.3	98683955
254	DHG 68	3.5	98683956	4.5	98683957
255	DHG 68	3.5	98683956	4.5	98683957
257	DHG 68	5.0	98683958	7.5	98683959
280	DHG 68	1.3	98683954	1.3	98683954
281	DHG 68	1.3	98683954	1.3	98683954
283	DHG 68	3.5	98683956	4.5	98683957
285	DHG 68	5.0	98683958	7.5	98683959
286	DHG 68	5.0	98683958	7.5	98683959
287	DHG 68	5.0	98683958	7.5	98683959
288	DHG 68	3.5	98683956	4.5	98683957

DMH



TM06 7972 4216

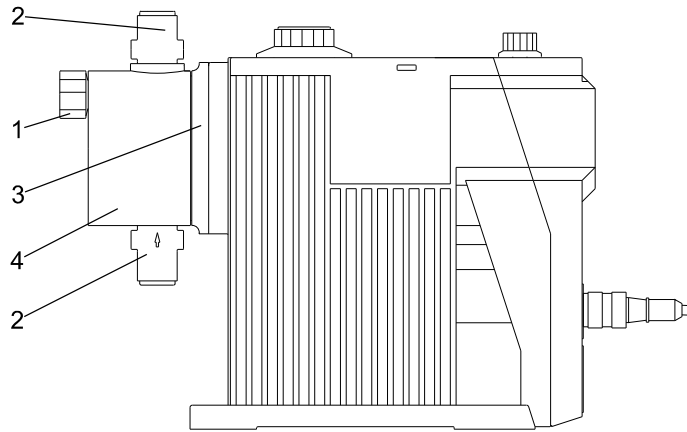
DMI

DMI 208, 50/60 Hz

Maintenance kit, standard

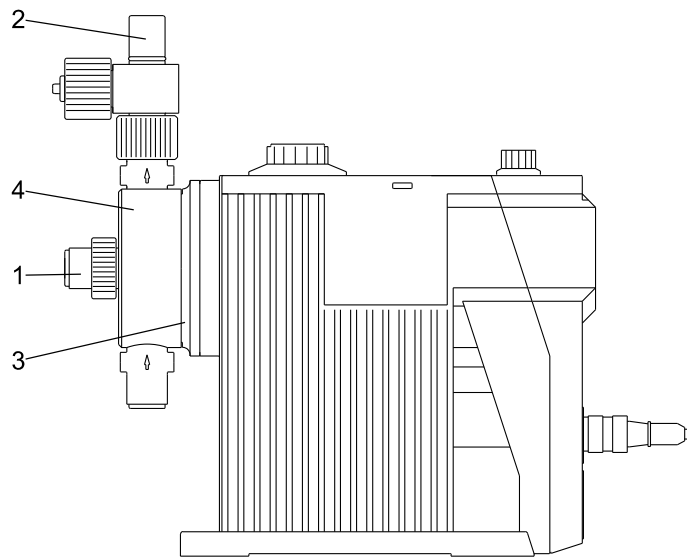
Model	Version	Pump			Valves + diaphragm (2 valves + diaphragm)	Diaphragm	Venting valve	Head
		Pos.	Standard	Plus 3	2 x 2 + 3	3	1	1,2x2,3,4
			Materials		2 x 2 + 3	3	1	2x2,3,5
Head	Gasket	Ball						
DMI 0.3 - 10	Standard	PP	E	C	96640194	98337186	98367756	98354149
		PP	V	C	96688957	98337186	98369884	98354171
		PVC	E	C	96636330	98337186	98369911	98354175
		PVC	V	C	96729364	98337186	98369919	98354176
		PVC	T	C	98327521	98337186	98369911	98354179
		PVC	T	T	98156956	98337186	98369911	98354213
		PV	E	C	98327611	98337186	98369931	98354482
		PV	V	C	98327618	98337186	98369932	n.a.
		PV	T	C	91835866	98337186	98369931	98354554
	Plus 3	PV	T	T	98327625	98337186	98369931	98354555
		SS	E	SS	98336647	98337186	98369931	n.a.
		SS	V	SS	98327670	98337186	98369932	98354632
		SS	T	SS	98327693	98337186	98369931	98354635
		PP	E	C	96688850	98337293	98367756	98354636
		PP	V	C	96688849	98337293	98369884	98354638
		PVC	E	C	91835905	98337293	98369911	98354661
		PVC	V	C	91835901	98337293	98369919	98354673
		PP	E	C	96634415	98337640	98367756	98354771
DMI 0.8 - 16 DMI 1.0 - 10 DMI 1.6 - 10 DMI 3.0 - 10 DMI 3.6 - 16 DMI 4.0 - 8	Standard	PP	V	C	91836540	98337640	98369884	98354776
		PVC	E	C	96643263	98337640	98369911	98354790
		PVC	V	C	96688816	98337640	98369919	98354802
		PVC	T	C	96729545	98337640	98369911	98354807
		PVC	T	T	95707374	98337640	98369911	n.a.
		PV	E	C	98328157	98337640	98369931	98354819
		PV	V	C	98328174	98337640	98369932	98356000
		PV	T	C	96641403	98337640	98369931	98356004
		PV	T	T	98328177	98337640	98369931	n.a.
	Plus 3	SS	E	SS	98336665	98337640	98369931	n.a.
		SS	V	SS	98328183	98337640	98369932	98359526
		SS	T	SS	98328206	98337640	98369931	98359527
		PP	E	C	96688851	98337641	98367756	98157872
		PP	V	C	91836604	98337641	98369884	98158466
		PVC	E	C	96645650	98337641	98369911	98158492
		PVC	V	C	96641420	98337641	98369919	91835885
		PP	E	C	91836371	98337645	98367756	98158701
		PP	V	C	96641801	98337645	98369884	98158705
DMI 5.0 - 6 DMI 6.0 - 8	Standard	PVC	E	C	91835873	98337645	98369911	98158709
		PVC	V	C	96688818	98337645	98369919	98158742
		PVC	T	C	98328553	98337645	98369911	98158747
		PVC	T	T	98328558	98337645	98369911	n.a.
		PV	E	C	98330321	98337645	98369931	98158777
		PV	V	C	98330327	98337645	98369932	98158827
		PV	T	C	91835874	98337645	98369931	98158858
		PV	T	T	98330576	98337645	98369931	n.a.
		SS	E	SS	98336681	98337645	98369931	n.a.
	Plus 3	SS	V	SS	98330804	98337645	98369932	98158887
		SS	T	SS	98330809	98337645	98369931	98158889
		PP	E	C	96688852	98337647	98367756	98158911
		PP	V	C	91835908	98337647	98369884	98158912
		PVC	E	C	91835907	98337647	98369911	98159549
		PVC	V	C	91835902	98337647	98369919	98159565
		PP	E	C	98337012	98337650	98369933	98369998
		PP	V	C	96729512	98337650	98369935	98370000
		PVC	E	C	98337015	98337650	98369940	98370002
DMI 9.0 - 6	Standard	PVC	V	C	96656267	98337650	98369962	98370003
		PVC	T	C	98337016	98337650	98369964	98370004
		PVC	T	T	95715912	98337650	98369964	98370005
		PV	T	C	95726369	98337650	98369967	98370007
		SS	E	SS	98337117	98337650	n.a.	n.a.
		SS	V	SS	98337163	98337650	98369969	98370006
		SS	T	SS	98337168	98337650	98369992	98370010
		PP	E	C	98337012	98337650	98369933	98159567
		PP	V	C	96729512	98337650	98369935	98159583
DMI 14 - 4 DMI 18 - 3.5	Standard	PVC	E	C	98337015	98337650	98369940	98159585
		PVC	V	C	96656267	98337650	98369962	98159589
		PVC	T	C	98337016	98337650	98369964	98159868
		PVC	T	T	95715912	98337650	98369964	98159820
		PV	E	C	98337099	98337650	n.a.	98159863
		PV	T	C	95726369	98337650	98369967	98162112
		PV	T	T	91835878	98337650	98369967	n.a.
		SS	E	SS	98337117	98337650	n.a.	n.a.
		SS	V	SS	98337163	98337650	98369969	98164371
		SS	T	SS	98337168	98337650	98369992	98164377

DMI 208 standard



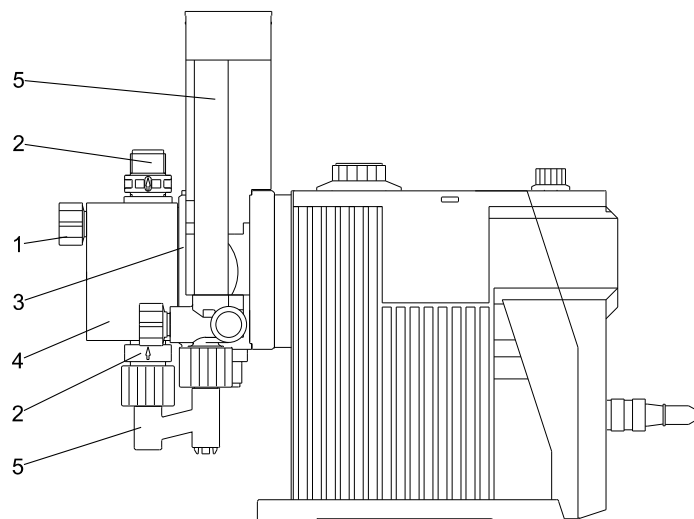
TM05 6943 0312

DMI 208 Auto deaeration head



TM05 6941 0312

DMI 208 plus 3



TM05 6942 0312

Cable and connectors

Application	Type	Pins	Coding	Straight/angled	Cable length	Other	Kit No	
Input	Analog contact for remote switch	Plug connector	4	Groove (nut)	Straight	2	96609014	
						5	96609016	
					Angled	Plug only	96698715	
						2	96693246	
Output	Error relay stroke or pre-empty relay	Plug connector	4	Tappet	Straight	2	96609017	
						5	96609019	
					Angled	Plug only	96696198	
						2	96698716	
Input	Empty	Flat plug connector	2	Allidos-type	Straight	Plug only	Soldered cable	96679388
Input	(Pre-)empty	Flat plug connector	3	Allidos-type	Straight	Plug only	Soldered cable	96630345
Adaptor flat-round	(Pre-)empty	Plug connector	4	Groove (nut)	Straight	Plug only		96635010

Kits for ClO₂ applications (diaphragm material: FKM)

Model	Version	Material			Valves + Diaphragm	Diaphragm
		Body	Gasket	Ball		
DMI 0.8, 1.0, 1.6, 3.0, 3.6, 4.0	Standard	PVC	V	C	96729439	98369260
	Plus 3	PVC	V	C	96688870	98369301
DMI 5.0, 6.0	Standard	PVC	V	C	96688919	98369305
	Plus 3	PVC	V	C	96688918	98369306

Spring loaded valves

Kit includes 1 x spring loaded valve for discharge side + 1 x standard valve

Model	Valve size	Body	Material		Product number	
			Gaskets	Ball		
DMI 0.3 - 6.0	DN4	PVC	EPDM	Ceramic	98366502	
			FKM	Ceramic	98366527	
			PTFE	Ceramic	98366528	
			EPDM	Ceramic	98366529	
			FKM	Ceramic	98366541	
		PVDF	PTFE	Ceramic	98366542	
			FKM	Stainless steel (SS)	98366544	
		Stainless steel (SS)	PTFE	Stainless steel (SS)	98366545	
			PVC	EPDM	Ceramic	98366551
				FKM	Ceramic	98366546
PTFE	Ceramic	98366552				
PP	EPDM	Ceramic		98366553		
	FKM	Ceramic		98366555		
PVDF	PTFE	Ceramic	98366557			
	Stainless steel (SS)	FKM	Stainless steel (SS)	98366558		
		PTFE	Stainless steel (SS)	98366559		

DMI 208 Unidos, maintenance kit

Model	Capacity	Version	Valve	Ball	O-ring	Kit No
			PVDF	PTFE	PTFE	
UNIDOS	0.8, 1, 1.6, 3, 4	W5	X	X	X	96688824
		W10	X	X	X	96688825
		W20	X	X	X	96688826

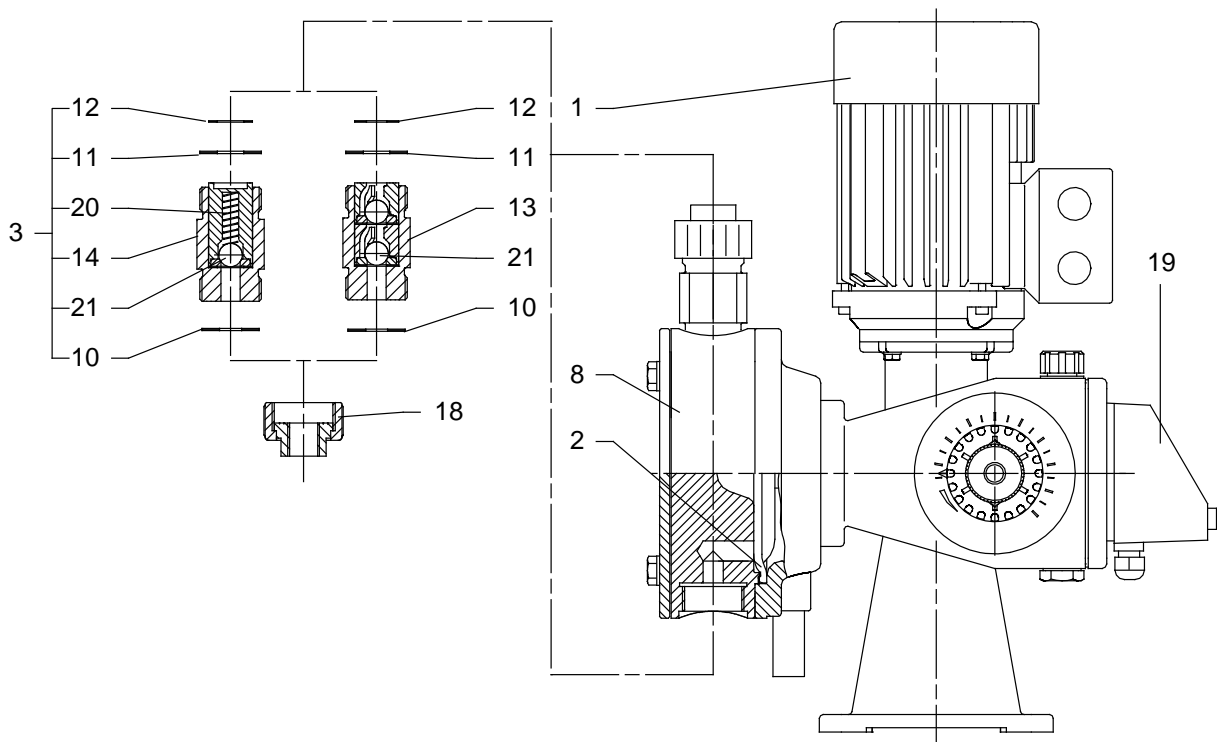
DMM-AR

DMM-AR, 1 x 230 V, 50 Hz

Service kit

Pump	Valves	Materials dosing head/gaskets/valve balls	Product numbers				
			Dosing head pos. 8	Valves + diaphragm pos. 2 + 2 x pos. 3	Diaphragm pos. 2	Valves 2 x pos. 3	Control panel 1 x 230 V, 50 Hz, pos. 19
DMM 4	Standard	PP/EPDM/glass	96440689	96441167	96440747	96440725	96440751
DMM 8		Stainless steel/PTFE/stainless steel	96440691	96441169	96440747	96440727	96440751
DMM 15	Spring-loaded	PP/EPDM/glass	96440689	96441168	96440747	96440726	96440751
DMM 23		Stainless steel/PTFE/stainless steel	96440691	96441170	96440747	96440728	96440751
DMM 48	Standard	PP/CSM/	96440695	96441173	96440749	96440729	96440751
DMM 72		Stainless steel/asbestos-free/stainless steel	96440697	96441175	96440749	96440731	96440751
DMM 72	Spring-loaded	PP/CSM/ceramic	96440695	96441174	96440749	96440730	96440751
DMM 72		Stainless steel/asbestos-free/stainless steel	96440697	96441176	96440749	96440732	96440751
DMM 110	Standard	PP/CSM/glass	96440677	96441155	96440744	96440735	96440751
DMM 155		Stainless steel/asbestos-free/stainless steel	96440679	96446757	96440744	96440737	96440751
DMM 110	Spring-loaded	PP/CSM/glass	96440677	96441156	96440744	96440736	96440751
DMM 155		Stainless steel/asbestos-free/stainless steel	96440679	96441158	96440744	96440738	96440751
DMM 160	Standard	PP/CSM/glass	96440681	96441159	96440745	96440735	96440751
DMM 210		Stainless steel/asbestos-free/stainless steel	96440683	96441161	96440745	96440737	96440751
DMM 210	Spring-loaded	PP/CSM/glass	96440681	96441160	96440745	96440736	96440751
DMM 260		Stainless steel/asbestos-free/stainless steel	96440683	96441162	96440745	96440738	96440751
DMM 290	Standard	PP/CSM/glass	96440685	96441163	96440746	96440735	96440751
DMM 390		Stainless steel/asbestos-free/stainless steel	96440687	96441165	96440746	96440737	96440751
DMM 290	Spring-loaded	PP/CSM/glass	96440685	96441164	96440746	96440736	96440751
DMM 390		Stainless steel/asbestos-free/stainless steel	96440687	96441166	96440746	96440738	96440751

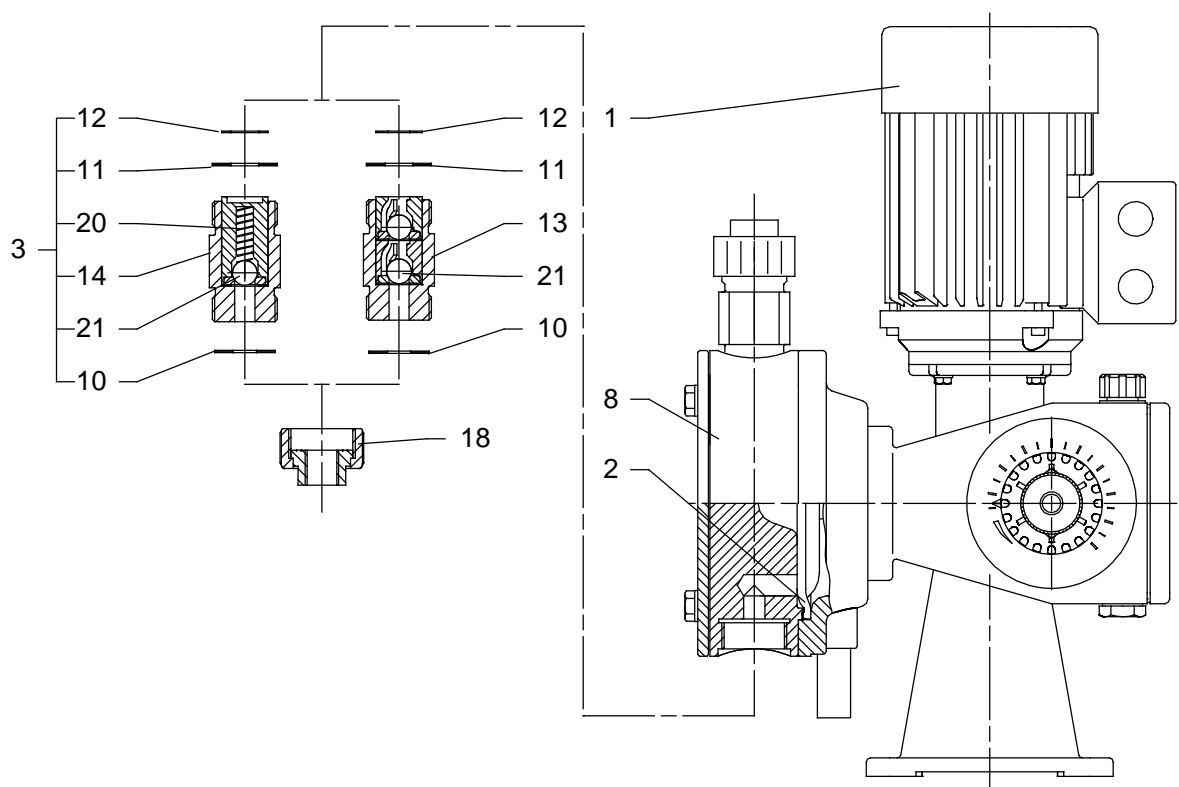
DMM-AR



TM01 8970 3200

DMM-B**DMM-B, 3 x 230/400 V, 50 Hz****Service kit**

Pump	Valves	Materials dosing head/gaskets/valve balls	Product numbers			
			Dosing head pos. 8	Valves + diaphragm pos. 2 + 2 x pos. 3	Diaphragm pos. 2	Valves 2 x pos. 3
DMM 4	Standard	PP/EPDM/glass	96440689	96441167	96440747	96440725
DMM 8		Stainless steel/PTFE/stainless steel	96440691	96441169	96440747	96440727
DMM 15	Spring-loaded	PP/EPDM/glass	96440689	96441168	96440747	96440726
DMM 23		Stainless steel/PTFE/stainless steel	96440691	96441170	96440747	96440728
DMM 48	Standard	PP/CSM/ceramic	96440695	96441173	96440749	96440729
		Stainless steel/asbestos-free/stainless steel	96440697	96441175	96440749	96440731
DMM 72	Spring-loaded	PP/CSM/ceramic	96440695	96441174	96440749	96440730
		Stainless steel/asbestos-free/stainless steel	96440697	96441176	96440749	96440732
DMM 110	Standard	PP/CSM/glass	96440677	96441155	96440744	96440735
		Stainless steel/asbestos-free/stainless steel	96440679	96441157	96440744	96440737
DMM 155	Spring-loaded	PP/CSM/glass	96440677	96441156	96440744	96440736
		Stainless steel/asbestos-free/stainless steel	96440679	96441158	96440744	96440738
DMM 160	Standard	PP/CSM/glass	96440681	96441159	96440745	96440735
		Stainless steel/asbestos-free/stainless steel	96440683	96441161	96440745	96440737
DMM 210	Spring-loaded	PP/CSM/glass	96440681	96441160	96440745	96440736
		Stainless steel/asbestos-free/stainless steel	96440683	96441162	96440745	96440738
DMM 260	Standard	PP/CSM/glass	96440685	96441163	96440746	96440735
		Stainless steel/asbestos-free/stainless steel	96440687	96441165	96440746	96440737
DMM 290	Spring-loaded	PP/CSM/glass	96440685	96441164	96440746	96440736
		Stainless steel/asbestos-free/stainless steel	96440687	96441166	96440746	96440738
DMM 440	Spring-loaded	PP/CSM/PVDF	96440693	96441171	96440748	96440733
DMM 640		Stainless steel/asbestos-free/stainless steel	96440694	96441172	96440748	96440734
DMM 990						

DMM-B

TM01 9977 3500

DMS

DMS, 1 x 230 V, 50 Hz/1 x 120 V, 60 Hz

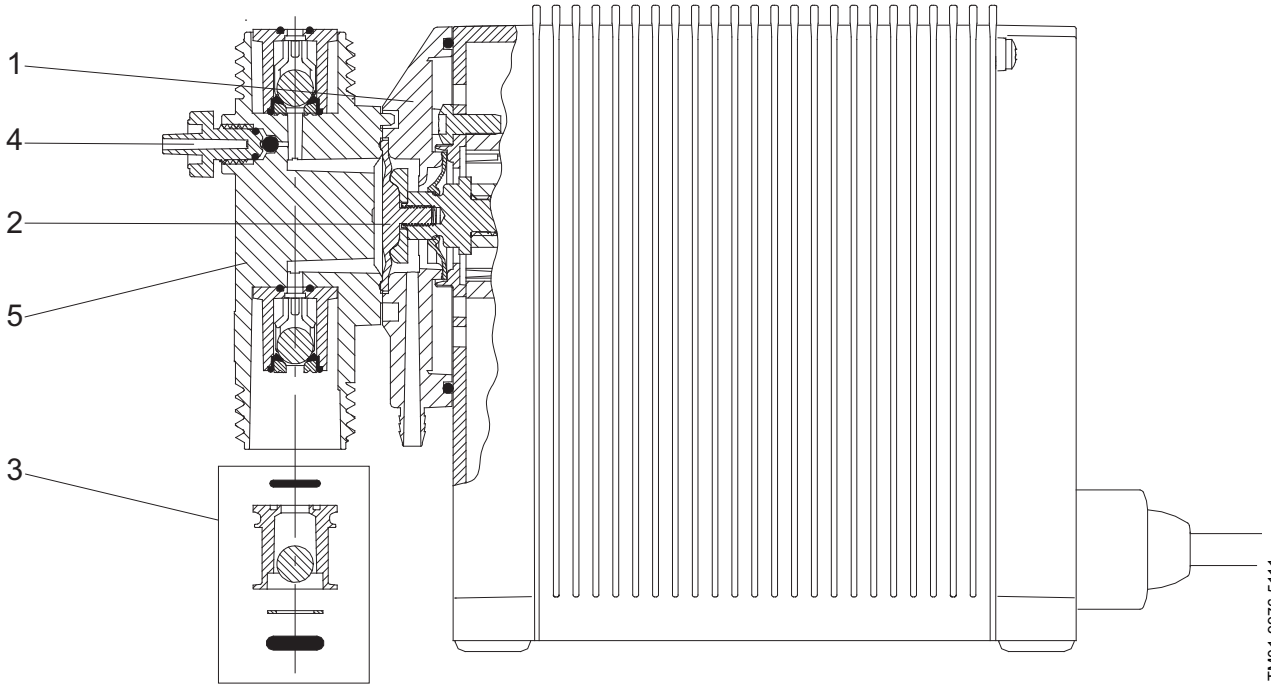
Service kit, DMS

Pump	Valves	Materials dosing head/gaskets/valve balls	Product numbers			
			Complete dosing head pos. 2 + 3 x 3 + 2 x 9 + 13 + 14 + 15 + 18	Valves + diaphragm pos. 2 + 3 x pos. 3	Diaphragm pos. 2	Valves 3 x pos. 3
DMS 2	Standard	PP/EPDM/ceramic	96440665	96441131	96440740	96440711
		PP/FKM/ceramic	96446814	96446774	96440740	96446836
		PVDF/FKM/ceramic	96440667	96441133	96440740	96440713
		Stainless steel/FKM/stainless steel	96440669	96441135	96440740	96440723
		PVDF/PTFE/ceramic	96636077	96635984	96440740	96574015
	Spring-loaded	PP/EPDM/ceramic	96440666	96441132	96440740	96440712
		PP/FKM/ceramic	96446815	96446775	96440740	96446837
		PVDF/FKM/ceramic	96440668	96441134	96440740	96440722
		Stainless steel/FKM/stainless steel	96440670	96441136	96440740	96440724
		PVDF/PTFE/ceramic	96636079	96636063	96440740	96635983
DMS 4	Standard	PP/EPDM/ceramic	96440699	96441177	96440750	96440711
		PP/FKM/ceramic	96446818	96446782	96440750	96446836
		PVDF/FKM/ceramic	96440701	96441179	96440750	96440713
		Stainless steel/FKM/stainless steel	96440703	96441181	96440750	96440723
		PVDF/PTFE/ceramic	96690668	96636064	96440750	96574015
	Spring-loaded	PP/EPDM/ceramic	96440700	96441178	96440750	96440712
		PP/FKM/ceramic	96446819	96446783	96440750	96446837
		PVDF/FKM/ceramic	96440702	96441180	96440750	96440722
		Stainless steel/FKM/stainless steel	96440704	96441182	96440750	96440724
		PVDF/PTFE/ceramic	96690683	96636066	96440750	96635983
DMS 8	Standard	PP/EPDM/ceramic	96440671	96441149	96440743	96440711
		PP/FKM/ceramic	96446816	96446780	96440743	96446836
		PVDF/FKM/ceramic	96440673	96441151	96440743	96440713
		Stainless steel/FKM/stainless steel	96440675	96441153	96440743	96440723
		PVDF/PTFE/ceramic	96636083	96636067	96440743	96574015
	Spring-loaded	PP/EPDM/ceramic	96440672	96441150	96440743	96440712
		PP/FKM/ceramic	96446817	96446781	96440743	96446837
		PVDF/FKM/ceramic	96440674	96441152	96440743	96440722
		Stainless steel/FKM/stainless steel	96440676	96441154	96440743	96440724
		PVDF/PTFE/ceramic	96636085	96636069	96440743	96635983
DMS 12	Standard	PP/EPDM/ceramic	96440659	96441125	96440739	96440711
		PP/FKM/ceramic	96446812	96446772	96440739	96446836
		PVDF/FKM/ceramic	96440661	96441127	96440739	96440713
		Stainless steel/FKM/stainless steel	96440663	96441129	96440739	96440723
		PVDF/PTFE/ceramic	96636087	96636070	96440739	96574015
	Spring-loaded	PP/EPDM/ceramic	96440660	96441126	96440739	96440712
		PP/FKM/ceramic	96446813	96446773	96440739	96446837
		PVDF/FKM/ceramic	96440662	96441128	96440739	96440722
		Stainless steel/FKM/stainless steel	96440664	96441130	96440739	96440724
		PVDF/PTFE/ceramic	96690541	96636071	96440739	96635983

Power cable, DME and DMS

Pump type	Description	Kit No
DME DMS	Schuko	96497534
	United States	96497535
	Switzerland	96497536
	Australia	96497537
	United Kingdom	96497538
	Japan	96497539

DMS



TM01 9976 5111

DMX

DMX, 1 x 115-240V, 50/60Hz; 3 x 230/400V, 50Hz

Model 221, DN size 8

Nominal capacity [l/h]	Materials			2 valves + diaphragm	1 valve (standard)	1 valve (spring-loaded)		Kit diaphragm	Kit dosing head
	Head / valve body	Gaskets	Balls			0.05 bar	0.8 bar		
04,8,16	PP	EPDM	PTFE	96375311	98803612	On req.	On req.	99145975	98981417
	PP	FKM	Ceramic	99079171	98803600	On req.	On req.	99145975	98981417
	PVDF	PTFE	PTFE	99079082	99042694	-	On req.	99145975	99040498
	PVC	EPDM	SS	99079250	98798541	-	On req.	99145975	98808112
	PVC	FKM	Ceramic	99079236	98798542	On req.	On req.	99145975	98808112
	PVC	FKM	SS	99079170	98798543	-	On req.	99145975	98808112
	PVC	EPDM	PTFE	99079172	98798548	-	On req.	99145975	98808112
	PVC	PTFE	Ceramic	99079183	98798549	-	-	99145975	98808112
	PVC	PTFE	PTFE	99079240	98798545	On req.	On req.	99145975	98808112
	SS	PTFE	SS	98969006*	98798546	On req.	On req.	99145975	98969003
	SS	FKM	SS	99079252*	98798547	-	On req.	99145975	98969003
	07,14,27	PP	EPDM	PTFE	96617129	98803612	On req.	On req.	99145976
PP		FKM	Ceramic	99079185	98803600	On req.	On req.	99145976	98981419
PP		FKM	PTFE	On req.	98803599	-	-	99145976	98981419
PVDF		PTFE	PTFE	99079085	99042694	-	On req.	99145976	99040499
PVDF		PTFE	Ceramic	99079048	99042682	-	-	99145976	99040499
PVC		EPDM	SS	99079251	98798541	-	On req.	99145976	98808114
PVC		PTFE	PTFE	91835951	98798545	On req.	On req.	99145976	98808114
PVC		FKM	Ceramic	99079184	98798542	On req.	On req.	99145976	98808114
PVC		EPDM	Ceramic	98178426	98798550	On req.	On req.	99145976	98808114
PVC		EPDM	PTFE	On req.	98798548	-	On req.	99145976	98808114
PVC		PTFE	Ceramic	91835950	98798549	-	-	99145976	98808114
PVC		FKM	SS	99079188	98798543	-	On req.	99145976	98808114
09,18,35	SS	PTFE	SS	98969007*	98798546	On req.	On req.	99145976	98969001
	SS	FKM	SS	99079284*	98798547	-	On req.	99145976	98969001
	PP	EPDM	SS	On req.	98803597	-	-	99145978	98981420
	PP	EPDM	PTFE	On req.	98803612	On req.	On req.	99145978	98981420
	PP	FKM	Ceramic	99079194	98803600	On req.	On req.	99145978	98981420
	PVDF	PTFE	Ceramic	99079050	99042682	-	-	99145978	99040450
	PVDF	PTFE	PTFE	99079076	99042694	-	On req.	99145978	99040450
	PVC	EPDM	Ceramic	99079244	98798550	On req.	On req.	99145978	98808115
	PVC	EPDM	SS	99079249	98798541	-	On req.	99145978	98808115
	PVC	FKM	Ceramic	99079237	98798542	On req.	On req.	99145978	98808115
	PVC	EPDM	PTFE	95729862	98798548	-	On req.	99145978	98808115
	PVC	PTFE	Ceramic	99079246	98798549	-	-	99145978	98808115
12,26,50	PVC	PTFE	PTFE	91835954	98798545	On req.	On req.	99145978	98808115
	PVC	FKM	SS	99079196	98798543	-	On req.	99145978	98808115
	SS	PTFE	SS	98969008*	98798546	On req.	On req.	99145978	98969000
	SS	FKM	SS	99079285*	98798547	-	On req.	99145978	98969000
	PP	EPDM	SS	On req.	98803597	-	-	99145979	98981421
	PP	EPDM	PTFE	96375313	98803612	On- req.	On req.	99145979	98981421
	PP	PTFE	PTFE	On req.	98803596	-	-	99145979	98981421
	PP	FKM	Ceramic	99079214	98803600	On req.	On req.	99145979	98981421
	PP	FKM	PTFE	On req.	98803599	-	-	99145979	98981421
	PVDF	PTFE	PTFE	99079078	99042694	-	On req.	99145979	99040501
	PVDF	PTFE	Ceramic	99079081	99042682	-	-	99145979	99040501
	PVC	EPDM	SS	99079243	98798541	-	On req.	99145979	98808116
PVC	EPDM	PTFE	96625626	98798548	-	On req.	99145979	98808116	
PVC	PTFE	PTFE	96645652	98798545	On req.	On req.	99145979	98808116	
PVC	FKM	Ceramic	99079233	98798542	On req.	On req.	99145979	98808116	
PVC	EPDM	Ceramic	On req.	98798550	On req.	On req.	99145979	98808116	
PVC	PTFE	Ceramic	91835958	98798549	-	-	99145979	98808116	
PVC	FKM	SS	99079234	98798543	-	On req.	99145979	98808116	
SS	PTFE	SS	98969009*	98798546	On req.	On req.	99145979	98968995	
SS	FKM	SS	99079286*	98798547	-	On req.	99145979	98968995	

* Kit contains only inner valve parts.

Model 221, DN size 20

Nominal capacity [l/h]	Head / valve body	Materials		2 valves + diaphragm	1 valve (standard)	1 valve (spring-loaded) 0.6 bar	Kit diaphragm	Kit dosing head
		Gaskets	Balls					
17,39,75	PP	EPDM	SS	On req.	98828466	-	99145995	98981423
	PP	EPDM	PTFE	On req.	98828458	98863249	99145995	98981423
	PP	PTFE	PTFE	On req.	98828467	-	99145995	98981423
	PP	FKM	Glass	99070223	98828459	98863250	99145995	98981423
	PVDF	PTFE	PTFE	99070226	98828464	98863254	99145995	99018339
	PVC	EPDM	SS	99069631	98828456	98863247	99145995	98808117
	PVC	FKM	Glass	99069632	98828457	98863248	99145995	98808117
	PVC	EPDM	Ceramic	On req.	98794843	-	99145995	98808117
	PVC	EPDM	PTFE	On req.	98828468	98863252	99145995	98808117
	PVC	PTFE	Ceramic	On req.	98828469	98863253	99145995	98808117
	PVC	PTFE	PTFE	On req.	98802208	-	99145995	98808117
	PVC	FKM	Ceramic	99070224	98828462	-	99145995	98808117
	PVC	FKM	SS	99070225	98828463	98863257	99145995	98808117
	SS	FKM	SS	98969010*	98828465	98863255	99145995	98968996
25,60,115	PP	EPDM	Ceramic	99070260	98812760	-	99145996	98981424
	PP	EPDM	SS	On req.	98828466	-	99145996	98981424
	PP	EPDM	PTFE	On req.	98828458	98863249	99145996	98981424
	PP	FKM	Glass	99070261	98828459	98863250	99145996	98981424
	PVDF	PTFE	PTFE	99070259	98828464	98863254	99145996	99018340
	PVDF	PTFE	Ceramic	On req.	98812759	-	99145996	99018340
	PVC	EPDM	SS	99070257	98828456	98863247	99145996	98808118
	PVC	EPDM	PTFE	On req.	98828468	98863252	99145996	98808118
	PVC	FKM	Glass	99070258	98828457	98863248	99145996	98808118
	PVC	EPDM	Ceramic	On req.	98794843	-	99145996	98808118
	PVC	PTFE	Ceramic	On req.	98828469	98863253	99145996	98808118
	PVC	PTFE	PTFE	On req.	98802208	-	99145996	98808118
	PVC	FKM	Ceramic	99070262	98828462	-	99145996	98808118
	PVC	FKM	SS	99070263	98828463	98863257	99145996	98808118
SS	PTFE	SS	98969011*	98812758	98863256	99145996	98968997	
SS	FKM	SS	98969013*	98828465	98863255	99145996	98968997	

* Kit contains only inner valve parts.

Model 226, DN size 20

Nominal capacity [l/h]	Head / valve body	Materials		2 valves + diaphragm	1 valve (standard)	1 valve (spring-loaded) 0.6 bar	Kit diaphragm	Kit dosing head
		Gaskets	Balls					
24, 52, 100, 142, 67, 132, 190	PP	EPDM	PTFE	98965726	98828458	98863249	98922727	98981423
	PP	PTFE	PTFE	98965727	98828467	-	98922727	98981423
	PP	FKM	Glass	98827346	98828459	98863250	98922727	98981423
	PP	EPDM	Ceramic	98827347	98812760	-	98922727	98981423
	PVDF	PTFE	PTFE	98923288	98828464	98863254	98922727	99018339
	PVDF	FKM	PTFE	98965741	98812757	-	98922727	99018339
	PVC	EPDM	PTFE	98923150	98828468	98863252	98922727	98808117
	PVC	FKM	Glass	98965724	98828457	98863248	98922727	98808117
	PVC	EPDM	SS	98965725	98828456	98863247	98922727	98808117
	PVC	PTFE	PTFE	98965728	98802208	-	98922727	98808117
	PVC	EPDM	Ceramic	98965729	98794843	-	98922727	98808117
	PVC	FKM	Ceramic	98827341	98828462	-	98922727	98808117
	PVC	PTFE	Ceramic	98965730	98828469	98863253	98922727	98808117
	PVC	FKM	SS	98827342	98828463	98863257	98922727	98808117
	SS	EPDM	SS	98827233*	98812756	-	98922727	98968996
	SS	FKM	SS	98965743*	98828465	98863255	98922727	98968996
	SS	PTFE	SS	98827234*	98812758	98863256	98922727	98968996

Nominal capacity [l/h]	Materials			2 valves + diaphragm	1 valve (standard)	1 valve (spring-loaded) 0.6 bar	Kit diaphragm	Kit dosing head
	Head / valve body	Gaskets	Balls					
37, 82, 160, 224, 95, 199, 280	PP	EPDM	PTFE	98965766	98828458	98863249	98922728	98981424
	PP	PTFE	PTFE	98965746	98828467	-	98922728	98981424
	PP	FKM	Glass	98965748	98828459	98863250	98922728	98981424
	PP	EPDM	Ceramic	98827747	98812760	-	98922728	98981424
	PP	EPDM	SS	98965749	98828466	-	98922728	98981424
	PVDF	PTFE	PTFE	98923304	98828464	98863254	98922728	99018340
	PVDF	PTFE	Ceramic	98965752	98812759	-	98922728	99018340
	PVC	PTFE	PTFE	98965744	98802208	-	98922728	98808118
	PVC	FKM	Glass	98965745	98828457	98863248	98922728	98808118
	PVC	EPDM	SS	98923302	98828456	98863247	98922728	98808118
	PVC	EPDM	PTFE	96688839	98828468	98863252	98922728	98808118
	PVC	EPDM	Ceramic	98965765	98794843	-	98922728	98808118
	PVC	FKM	Ceramic	98827244	98828462	-	98922728	98808118
	PVC	PTFE	Ceramic	98965750	98828469	98863253	98922728	98808118
	PVC	FKM	SS	98827343	98828463	98863257	98922728	98808118
	SS	EPDM	SS	98965753*	98812756	-	98922728	98968997
	SS	FKM	SS	98965754*	98828465	98863255	98922728	98968997
	SS	PTFE	SS	98827235*	98812758	98863256	98922728	98968997
60, 130, 255, 380, 152, 321, 460	PP	EPDM	PTFE	98965763	98828458	98863249	98922729	98981425
	PP	PTFE	PTFE	98965755	98828467	-	98922729	98981425
	PP	FKM	Glass	98827741	98828459	98863250	98922729	98981425
	PP	EPDM	Ceramic	98827742	98812760	-	98922729	98981425
	PP	EPDM	SS	98965756	98828466	-	98922729	98981425
	PP	FKM	SS	98965758	98812755	-	98922729	98981425
	PVDF	PTFE	PTFE	98923307	98828464	98863254	98922729	99018341
	PVC	FKM	Glass	98871195	98828457	98863248	98922729	98808120
	PVC	EPDM	SS	98923306	98828456	98863247	98922729	98808120
	PVC	EPDM	PTFE	98965759	98828468	98863252	98922729	98808120
	PVC	PTFE	PTFE	98965760	98802208	-	98922729	98808120
	PVC	EPDM	Ceramic	98965761	98794843	-	98922729	98808120
	PVC	FKM	Ceramic	98827344	98828462	-	98922729	98808120
	PVC	PTFE	Ceramic	98965762	98828469	98863253	98922729	98808120
	PVC	FKM	SS	98827345	98828463	98863257	98922729	98808120
	SS	EPDM	SS	98827236*	98812756	-	98922729	98968998
	SS	FKM	SS	98871199*	98828465	98863255	98922729	98968998
	SS	PTFE	SS	98827237*	98812758	98863256	98922729	98968998

* Kit contains only inner valve parts.

Model 226, DN size 32

Nominal capacity [l/h]	Materials			2 valves + diaphragm	1 valve (standard)	1 valve (spring-loaded) 0.6 bar	Kit diaphragm	Kit dosing head
	Head / valve body	Gaskets	Balls					
249, 315, 525, 765	PP	EPDM	PTFE	98871180	98803613	-	98922730	98981426
	PP	FKM	Glass	98871191	98803614	On req.	98922730	98981426
	PVDF	PTFE	PTFE	98871196	98802232	On req.	98922730	99018342
	PVC	PTFE	PTFE	98871192	98802210	-	98922730	98808121
	PVC	FKM	Glass	98871193	98812754	On req.	98922730	98808121
	PVC	EPDM	SS	98871194	98802231	-	98922730	98808121
	SS	FKM	SS	98871197*	98802234	On req.	98922730	98969004
	SS	PTFE	SS	98871198*	98802235	-	98922730	98969004

* Kit contains only inner valve parts.

Model 227, DN size 65

Nominal capacity [l/h]	Materials			2 valves + diaphragm	1 valve (inlet side)	1 valve (outlet side)	Kit diaphragm	Kit dosing head
	Head / valve body	Gaskets	Balls					
430, 860, 1120	PP	FKM	PP	96688805	98926688	98927589	99145973	On req.
	PVC	FKM	PVC	91835856	98926673	98927590	99145973	On req.
	SS	FKM	SS	96688806	98927584	98927601	99145973	On req.
770, 1520, 2000	PP	FKM	PP	96688807	98926688	98927589	99145974	On req.
	PVC	EPDM	PVC	91835859	98927585	98927602	99145974	On req.
	PVC	FKM	PVC	91835858	98926673	98927590	99145974	On req.
	SS	FKM	SS	96688808	98927584	98927601	99145974	On req.

* Kit contains only inner valve parts.

Cables and connectors

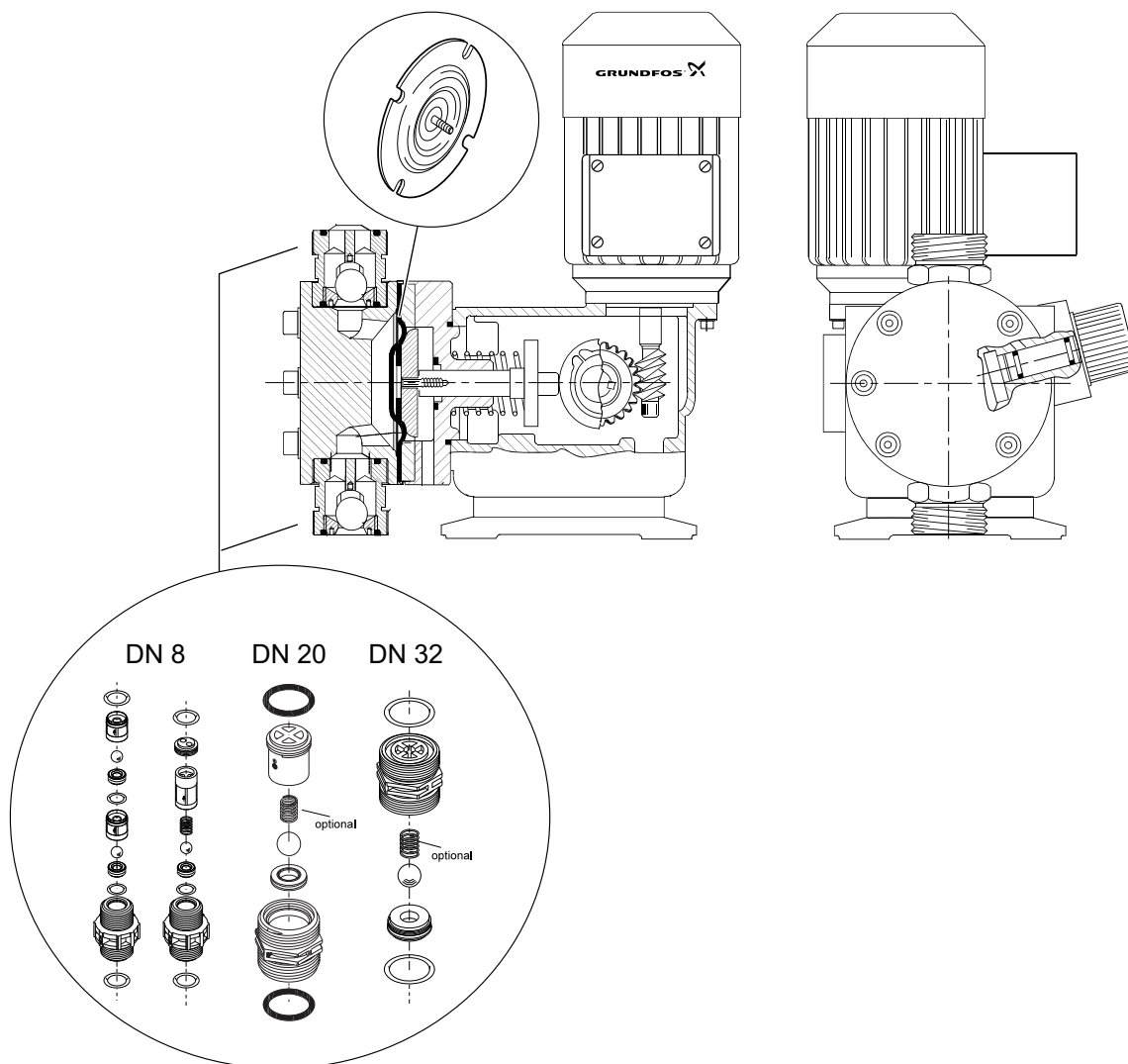
Application	Type	Pins	Coding	Straight/angled	Cable length	Other	Kit No	
Input	Analog contact for remote switch	Plug connector	4	Groove (nut)	Straight	2	96609014	
						5	96609016	
					Angled	Plug only	96698715	
						2	96693246	
Output	Error relay stroke or pre-empty relay	Plug connector	4	Tappet	Straight	2	96609017	
						5	96609019	
					Angled	Plug only	96696198	
						2	96698716	
Input	Empty	Flat plug connector	2	Alldos-type	Straight	Plug only	Soldered cable	96679388
Input	(Pre-)empty	Flat plug connector	3	Alldos-type	Straight	Plug only	Soldered cable	96630345
Adaptor flat-round	(Pre-)empty	Plug connector	4	Groove (nut)	Straight	Plug only		96635010

DMX lubricant kits

The kits include maintenance parts like gaskets, oil filter etc.

Model	Nominal Capacity	Variant	Description	Kit No
221	All		Kit grease, approx. 0.2 kg	98727125
226L	All	Single head	Kit grease, approx. 0.8 kg	98727126
226L/2	All	Double head	Kit grease, approx. 1.4 kg	98727127
226M	All	Single head	Kit grease, approx. 0.6 kg	98727129
226M/2	All	Double head	Kit grease, approx. 0.6 kg	98727129
227	All	Single head	Kit hydraulic oil, approx. 5.0 l (DHG68)	98683958
227/2	All	Double head	Kit hydraulic oil, approx. 7.5 l (DHG68)	98683959

DMX



TM06 7973 4216

Accessories for dosing pumps

Spare parts for pressure loading/relief valves

Spare parts for PLV and PRV

Max. flow [l/h]	Connection size [inch]	Kit description	Kit no
60	G 5/8	3 x gasket FKM 3 x gasket EPDM 1 x diaphragm 1 x pressure spring 1 x spring cup 1 x support disk	99369777
		3 x gasket PTFE 1 x diaphragm 1 x pressure spring 1 x spring cup 1 x support disk	99369778
460	G 5/4	3 x gasket FKM 3 x gasket EPDM 1 x diaphragm 1 x pressure spring 1 x spring cup 1 x support disk	99367773
		3 x gasket PTFE 1 x diaphragm 1 x pressure spring 1 x spring cup 1 x support disk	99367774

Spare parts for pressure loading/relief valves DN 20 G 5/4 (old type)

Valve PN	Kit description	Kit no
91835674		
96295888		
96295889		
96295890		
96295891		
96295892		
96295903		
96295904		
96295905	3 x gasket FKM	
96295906	3 x gasket EPDM	
96295907	1 x diaphragm	
96376567	1 x pressure spring	99369868
96693421	1 x spring cup	
96693603	1 x support disk	
96693604		
96693704		
96693705		
96695973		
96727370		
96727383		
96727384		
96618727	3 x gasket PTFE	
96699704	1 x diaphragm	
96727369	1 x pressure spring	99369869
	1 x spring cup	
	1 x support disk	

Spare parts for pressure loading/relief valves DN 32 (old type)

Valve PN	Kit description	Kit no
96295893		
96295894		
96295895		
96295896		
96295897		
96295908		
96295909		
96295910		
96295911	3 x gasket FKM	
96295912	3 x gasket EPDM	
96652055	1 x diaphragm	99369870
96695695	1 x pressure spring	
96695696	1 x spring cup	
96695919	1 x support disk	
96695954		
96698322		
96699612		
96727371		
96727379		
96727380		
96727381		
96727385		
96692234	3 x gasket PTFE 1 x diaphragm 1 x pressure spring 1 x spring cup 1 x support disk	99369871

Service tools for dosing pumps

Profi tester

The Profi tester is a special tool to check the inputs and outputs of Grundfos dosing pumps.

Description	Kit No
Profi tester	99600937

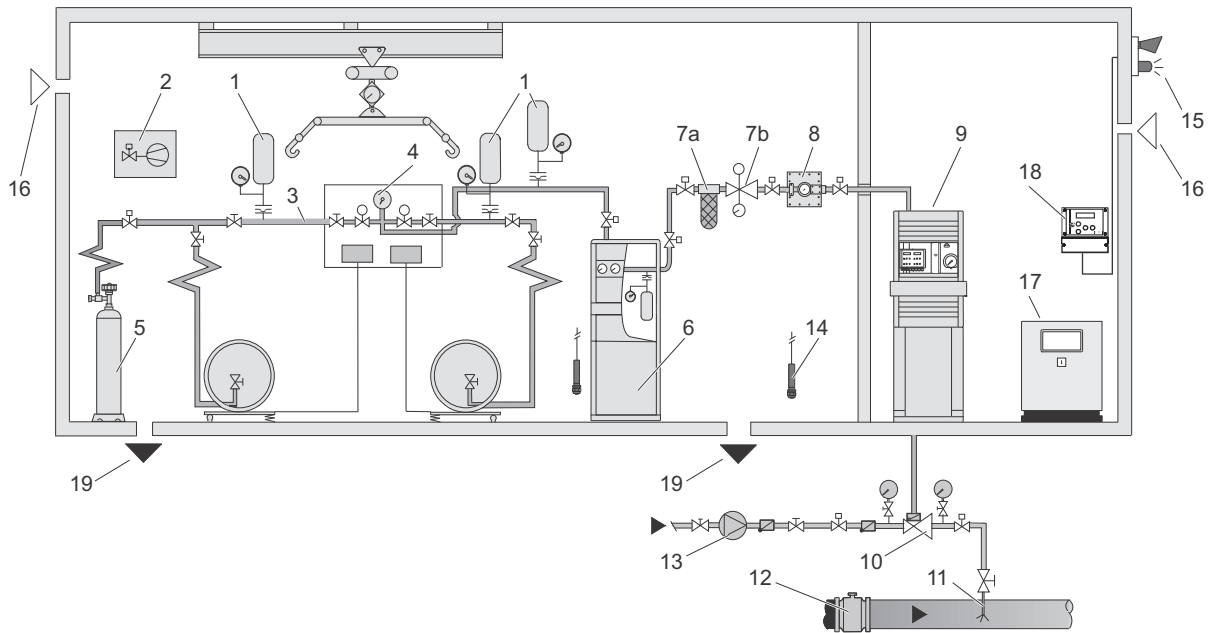
Hydraulic test unit

The hydraulic test unit is used to check the hydraulic performance of Grundfos dosing pumps.

Description	Kit No
Hydraulic test unit	99600938

Vaccuperm system

Overview of components



TM06 9911 4818

Pos.	Description	For kits see page
1	Expansion tank	307
2	Safety stop valve	307
3	Header line (manifold)	308
-	Flat gasket sets	308
4	Change-over device	308
5	Nitrogen rinsing device	
6	Evaporator	308
7a	LiquFilt (heated liquid trap with filter)	308
7b	Pressure reducing valve	308
8	Vacuum regulator	308
-	Vacuum connections	309
9	Dosing regulator	309
-	Compact dosing unit VBG-103	309
10	Gas injector	309
11	Injection unit	310
-	Chlorine gas adsorption filter	310
12	Flowmeter	
13	Motive water booster pump	
14	Chlorine gas sensor	
15	Optical and acoustic alarm devices	
16	Ventilation of the building	
17	Central control panel	
18	Gas warning system	
19	Vent to chlorine gas neutralisation system	

Vaccuperm service kits

Expansion tank

Type	Kit description	Medium	Kit No
Expansion Tank	Bursting disk	Chlorine	95718356
		NH ₃ /SO ₂	95718358
	Bursting disk support		95718357

Safety stop valve

Type	Kit description	Medium	Kit No
543-010	Gasket set	Chlorine	96729679
		NH ₃ /SO ₂	96729680

Header line (manifold)

Kit description	Version	Medium	Kit No
Copper line	1 m	Chlorine	99356968
	2 m		99356984
Flat gasket set for copper line	200 pieces	all	99055003
Stainless steel line	1 m	NH ₃ /SO ₂	99357021
	1.5 m		99357023
Connection valve complete	G 5/8	Chlorine	96688688
		NH ₃ /SO ₂	96688694
	G 3/4	Chlorine	96688687
		NH ₃ /SO ₂	96688693
	1"	Chlorine	96690367
		NH ₃ /SO ₂	96688692
	1.03-14	Chlorine	96688689
		Chlorine	96690368
5/4"	Chlorine	96688695	
	NH ₃ /SO ₂	96688695	

Flat gasket sets

Kit description	Version	Kit No
Flat gasket set for connection valve and pressurized gas connection of 103, 111 and 146	1", 200 pieces	99055005
	USA, 100 pieces	99353632
	M26x3, 100 pieces	99353631
	1 1/4", 100 pieces	99353630
	for ext. filter, 100 pieces	99353629
	for liquid trap, 25 pieces	99353628
Flange gasket set for 147 and 148	DN25	96688979

Change-over device

Type	Kit description	Medium	Kit No
185-1	Gasket set	Chlorine	96688979
185-2 (with bypass)			
186-120	Ball valve	Chlorine	95720552
189-010	Gasket set	Chlorine	91835829
189-010	Gasket set	NH ₃ /SO ₂	96688791

Evaporator

Type	Kit description	Medium	Kit No
171W (water-heated)	Gaskets, copper line, bursting disk	Chlorine	95705524
	Gasket set	Chlorine	96688864
171 (oil-heated)	Gaskets, copper line, bursting disk	Chlorine	95705522
	Gaskets, copper line, bursting disk	NH ₃ /SO ₂	95705523
	Gasket set	Chlorine/ NH ₃ /SO ₂	96688715
	Gaskets heating flange	Chlorine/ NH ₃ /SO ₂	96729530

LiquFilt

Type	Kit description	Medium	Kit No
524-2x	Spare filters and gasket	Chlorine	91835919

Pressure reducing valve**Maintenance kits**

Type	Version	Medium	Kit No
544-101-x	G1/2, DN15	Chlorine	96688978
544-1017-x	G1/2, DN15	NH ₃ /SO ₂	95709195
544-210-x	G1/2, DN15, Servomotor	Chlorine	96688978
544-2107-x	G1/2, DN15, Servomotor	NH ₃ /SO ₂	95709195
544-102-x	G1, DN25	Chlorine	91835913
544-1027-x	G1, DN25	NH ₃ /SO ₂	91835914
544-220-x	G1, DN25, Servomotor	Chlorine	91835913
544-2207-x	G1, DN25, Servomotor	NH ₃ /SO ₂	91835914

Vacuum regulators VGA-111, VGA-146, VGS-147, VGS-148

Type	Version	Kit description	Medium	Kit No
VGA-111	111-202, 4 kg/h without liquid trap	Service kit	Chlorine	91835972
VGA-111	111-102	Service kit	Chlorine	96689047
VGA-111	111-202, all versions	Service kit		96688860
VGA-111	111-202, 4 kg/h with liquid trap	Service kit	Chlorine	91835977
VGA-111		Diaphragm (4 pieces)	Chlorine	99220809
VGA-111		Diaphragm service kit	Chlorine	98025823
VGA-111		Valve cone silver (4 pieces)	Chlorine	99220811
VGA-111	111-202, 4 kg/h without liquid trap	Service kit	NH ₃ /SO ₂ / CO ₂	96689051
VGA-111	111-202, 4 kg/h with liquid trap	Service kit	NH ₃ /SO ₂ / CO ₂	96689054
VGA-111		Manometer G 1/4	Chlorine	96688685
VGA-146	Without liquid trap	Service kit	NH ₃ /SO ₂ / CO ₂	96688781
VGA-146	With liquid trap	Service kit	NH ₃ /SO ₂ / CO ₂	96688782
VGA-146	Without liquid trap	Service kit	Chlorine	91836513
VGA-146	With liquid trap	Service kit	Chlorine	91835842
VGA-146		Diaphragm	all	99351261
VGA-146		Valve cone (4 pieces)	Chlorine	99220811
VGS-147		Service kit	Chlorine	96688764
VGS-147		Service kit	NH ₃	96688787
VGS-147		Service kit	SO ₂	96688787
VGS-147		Diaphragm	all	99351261
VGS-148	70 kg/h	Service kit	Chlorine	96688765
VGS-148	120 kg/h	Service kit	Chlorine	96688766
VGS-148	200 kg/h	Service kit	Chlorine	96688767
VGS-148	35 kg/h	Service kit	NH ₃	96688788
VGS-148	65 kg/h	Service kit	SO ₂	96688788
VGS-148	60 kg/h	Service kit	NH ₃	96688789
VGS-148	115 kg/h	Service kit	SO ₂	96688789
VGS-148	100 kg/h	Service kit	NH ₃	96688790
VGS-148	190 kg/h	Service kit	SO ₂	96688790

Vacuum connections and lines

Kit description	Version	Kit No
Spare, pipe connection DN10, 12/16 mm		99358522
Spare, pipe connection DN15, 15/20 mm		99358518
Spare, hose connection, 1/2 NPT	O-ring material FKM	99358527
Spare, hose connection, 8/11 mm		99358520
Spare, hose connection, 10/14 mm		99358521
Spare, hose connection, 12/16 mm		99358523
Spare, pipe connection DN15, 15/20 mm	O-ring material EPDM	99358526
Spare, hose connection, 10/14 mm		99358519
Spare, hose connection, 8/11 mm		99358524
PE-hose 8/11 mm, full vacuum	10 m	96701705
	25 m	96695982
PE-hose 10/14 mm, full vacuum	10 m	91836646
	25 m	96727466

Dosing regulators VGA-113, VGA-117, VGS-141, VGS-143, VGS-145

Type	Version	Kit description	Medium	Kit No
VGA-113	Geco 113-110	Gasket set	Chlorine	91835973
VGA-113	Geco 113-110	Gasket set	NH ₃ /SO ₂ /CO ₂	96689052
VGA-113		Gasket set	Chlorine	91835974
VGA-113		Gasket set	NH ₃ /SO ₂ /CO ₂	96689053
VGA-113		Diaphragm, screws, spring, O-rings	Chlorine	96688861
VGA-113		Diaphragm (4 pieces)	all	99220809
VGA-113		Diaphragm service kit	Chlorine	96680603
VGA-117	Geco	Gasket set	Chlorine	91835976
VGA-117	Geco	Gasket set	NH ₃ /SO ₂ /CO ₂	96689050
VGA-117		Gasket set	Chlorine	95725112
VGA-117		Diaphragm	all	99351261
VGS-141	200, 500 g/h	Gaskets, diaphragms, grease	Chlorine	96729331
VGS-141	1000 g/h - 10 kg/h	Gaskets, diaphragms, grease	Chlorine	96688759
VGS-141		Diaphragm	all	99351261
VGS-143	40 kg/h	Gaskets, diaphragms, grease	Chlorine	96688761
VGS-145	200 kg/h	Gaskets, diaphragms, grease	Chlorine	96688763

Compact dosing unit VGB-103

Type	Version	Kit description	Medium	Kit No
VGB-103	until 12-2005		Chlorine	91835975
VGB-103	103-100 from 01-2006		Chlorine	96688961
VGB-103		Diaphragm (4 pieces)	Chlorine	99220809
VGB-103		Diaphragm service kit	Chlorine	98025823

Gas injector

PVC injector - GECO series

Kits include diaphragm, seat, piston, gaskets

Type	Suction capacity [kg/h]	Backpressure [bar]	Medium	Kit No
545-51x; 545-52x	0-0.5			
545-10x	0.5-1	0-7	Chlorine	91835846
545-20x	1-2			

High pressure injector

Kits include ball, seat, piston, gaskets

Type	Suction capacity [kg/h]	Backpressure [bar]	Medium	Kit No
545-138x	0.5-2	16-25	Chlorine	96688796
545-138x.1	0.5-2	5-16	Chlorine	96688797

PVC injector

Kits include diaphragm, seat, piston, gaskets

Type	Suction capacity [kg/h]	Backpressure [bar]	Medium	Kit No
545-0501-x; 545-1001-x; 545-2001-x	0.5-2	7-10	Chlorine	95715145
545-xxxx-1; 545-xxxx-2; 545-xxxx-3; 545-xxxxx-1; 545-xxxxx-2; 545-xxxxx-3	0.5-4	0-7	Chlorine	96688748
545-x095-x	1-4	0-7	Chlorine	96729511
545-3099x	3	0.5-6.5	Chlorine	95701435
545-4099x	4	0-3		
545-x03x	3-10	0-7	Chlorine	96688795
545-x519-x	4-10	0-10	Chlorine	96688738
545-6030x	6-8	0-7		
545-8030x	8-10	0-7	Chlorine	91835847
545-10030x	10	0-3		
545-x518-x	10	0-7	Chlorine	96688738
545-x615	10-20	0-10	Chlorine	96688740
545-x715	40	0-7	Chlorine	96688741
545-x816	70	0-8	Chlorine	96688743
545-x916	90-120	0-7	Chlorine	96688745
545-x016	150-200	0-7	Chlorine	96688747
545-xxxx-17; 545-xxxx-27; 545-xxxx-37; 545-xxxxx-37; 545-xxxxx-17	0.5-2	0-7	NH ₃ /SO ₂	95701437
545-3037-x; 545-4037-x	3-4	0-7	NH ₃ /SO ₂	96729338
545-6037-x; 545-8037-x	4-8	0-7	NH ₃ /SO ₂	96729339
545-x5187	5-10	0-7	NH ₃ /SO ₂	96729325
545-x6157	6-20	0-10	NH ₃ /SO ₂	96688739
545-x7157	20-40	0-7	NH ₃ /SO ₂	96688742

Injection unit

Steel version with diaphragm valve

Injection unit PN	Type	Flange	Kit description	Kit No
96727321	522-302	DN 25	3 x gasket 1 x diaphragm	99368785
96727322	522-312	DN 32	3 x gasket 1 x diaphragm	99368786
96727319	522-264	DN 50	3 x gasket 1 x diaphragm	99368787
96727320	522-274	DN 65	3 x gasket 1 x diaphragm	99368789
96727318	522-254	DN 80	3 x gasket 1 x diaphragm	99368790

Chlorine gas adsorption filter

Type	Kit description	Medium	Kit No
524-3x	Refilling package 4 kg	Chlorine	96688989

Safety equipment**Gas mask, chlorine gas**

Gas mask PN	Kit description	Info	Kit No
96727010 (515-401)	Filter	DIN EN 14387	96688099

Oxiperm Pro OCD-162

Maintenance kits Oxiperm Pro OCD-162 (5-60 g/h)

Oxiperm Pro OCD-162 (5 g/h)

Oxiperm Pro OCD-162-5	Dosing pump for chlorine dioxide	Product No.
until June 2012	mechanical and digital	95702445
	without	95702446
from June 2012 until July 2016	SMART Digital DDA	98153636
	without	98153651
from August 2016	SMART Digital DDA	99136353
	without	99136354

Oxiperm Pro OCD-162 (10 g/h)

Oxiperm Pro OCD-162-10	Dosing pump for chlorine dioxide	Product No.
until June 2012	mechanical DMI	95702500
	digital DDI	95707853
	without	95702499
from June 2012 until July 2016	SMART Digital DDA	98153962
	without	98153966
from August 2016	SMART Digital DDA	99136355
	without	99136356

Oxiperm Pro OCD-162 (30 g/h)

Oxiperm Pro OCD-162-30	Dosing pump for chlorine dioxide	Product No.
until June 2012	mechanical DMX	95717915
	digital DDI	95717916
	without	95717917
after June 2012	mechanical DMX	98162637
	digital DDI	98162644
	without	98162647

Oxiperm Pro OCD-162 (60 g/h)

Dosing pumps for hydrochloric acid and sodium chlorite	Dosing pump for chlorine dioxide	Product No.
DMX (all years)	mechanical DMX	95717919
	digital DDI	95717920
	without	95717921
DDE (after 03-2012, only 115 V)	digital DDI	98382087
	without	98382297

Spare parts Oxiperm Pro OCD-162 (5-10 g/h)

Part	Description	Version	Product No.
Dosing pump for HCl	230 V	DDE 10-6, complete	98163454
	115 V, USA cable		98163456
Dosing pump for NaClO ₂	230 V	DDA, complete	98163419
	115 V, USA cable		98163440
Dosing pump for ClO ₂	230 V	DDA, complete	98163484
	115 V, USA cable		98163486
Suction lance for HCl	for 30-litre container	complete	98163672
	for 55-gallon container		98163679
Suction lance for NaClO ₂	for 30-litre container	complete	98163639
	for 55-gallon container		98163678
Hose PTFE 4/6, transparent	to reaction tank / to volume compensation bag	1.5 m	96727482
		10 m	96692437
Hose PE 6/9	to solenoid valve	10 m	96727412
Hose PVC 6/12			96653571
Hose PVC 8/11, transparent	for reaction tank drain	1.25 m	95717381
Connection PVC G 5/8 female/hose set	for suction lances	U2 metric connection set for Europe, PVC, for hoses: 4/6, 6/9, 6/12, 9/12	97691903
Connection PVDF G 5/8 female/hose set	for dosing line of multi-function valve	U2 metric connection set for Europe, PVDF, for hoses: 4/6, 6/9, 6/12, 9/12	97691904
Connection G 5/8 female/hose set	for dosing line of multi-function valve, USA	U7 connection set USA, PVDF, for hoses: 1/8 x 1/4, 1/4 x 3/8, 3/8 x 1/2	97691907
Connection G 1/4 male/hose 4/6	to input of reaction tank	2 pieces	95717382
Solenoid valve for dilution water	230 V	without screw connections	95717903
	115 V		95717904
Level indicator of reaction tank		4 switching points	99327316
Level indicator of batch tank		2 switching points	95717906
Reaction tank with batch tank	OCD-162-5	complete	95717907
	OCD-162-10		95717911
Ball valve at the batch tank		1 piece	95717384
Volume compensation bag		1 piece	95717908
Activated carbon filter		1 piece	95717909
Valve at the activated carbon filter	inlet and outlet valve	2 pieces	95717436
Multi-function valve		complete	95704598
Cover		complete	95717438
Electronic controller, 230 V	OCD-162-5	complete	95715737
Electronic controller, 115 V		complete	95715738
Electronic controller, 230 V	OCD-162-10	complete	95715740
Electronic controller, 115 V		complete	95715741
Strainer	for input of solenoid valve	5 pieces	95717437
System frame			98163701
T-piece for PTFE hose 4/6	to volume compensation bag	1 piece	95714891
Set of hoses 4/6, with connections	for suction lances	red and blue, 1.5 m each	98163781
Connection pieces between connection for hose and solenoid valve.	G 5/8 female/hose 6/9 for input of solenoid valve	1 complete set	95727673
	PE hose 1/4 x 3/8 for input of solenoid valve, USA		95727674
	G 5/8 female/hose 4/6 for output of solenoid valve		95727672
Connection for hoses 6/9 and 6/12			95717385
Connection for PE hose 1/4 x 3/8, USA	for input of solenoid valve		95717528
Connection G 3/8 female/hose 4/6	for output of solenoid valve	2 pieces	95717529
Connection G 5/8 female/hose 4/6	for internal connections	5 pieces	99026031
Non-return valve	for dosing line	2 pieces	98165354
Fastening set	hose clamps and screws		95717531

Spare parts Oxiperm Pro OCD-162-30, -60

Parts	Description	Version	Product No.
Dosing pump for NaClO ₂	230 V		98163904
	115 V, USA cable	DDE 15-4	98163921
Dosing pump for HCl	230 V		98163923
	115 V, USA cable		98163925
Dosing pump for ClO ₂	230 V	DMX	99435426
	115 V, USA cable		99436459
Dosing pump for HCl	115-230 V	DDI	95754516
	115 V, USA cable		95754517
Dosing pump for NaClO ₂	230 V	DMX	95717388
	115 V, USA cable	DDE 15-4	98163925
Dosing pump for ClO ₂	230 V	DMX	95717389
	115 V, USA cable	DDE 15-4	98163921
Dosing pump for ClO ₂	230 V	DMX	99414814
	115 V, USA cable	DMX	95716873
Dosing pump for ClO ₂	115-230 V	DDI	95754516
	115 V, USA cable		95754517
Suction lance for HCl	for 60-litre container		98164260
	for 55-gallon container		98163679
	for 200-/1000-litre container	complete	98164293
Suction lance for NaClO ₂	for 60-litre container		98164258
	for 55-gallon container		98163678
	for 200-/1000-litre container		98164291
Hose PTFE 9/12	for internal connection	1.5 m	96727489
Hose PE 6/9	to solenoid valve	10 m	96727412
Hose PVC 6/12			96653571
Hose PVC 8/11	for drain of reaction tank	1.25 m	95717381
Connection PVC G 5/8 female/hose set	for suction lances	U2 metric connection set for Europe, PVC, for hoses: 4/6, 6/9, 6/12, 9/12	97691903
Connection PVDF G 5/8 female/hose set	for dosing line of multi-function valve	U2 metric connection set for Europe, PVDF, for hoses: 4/6, 6/9, 6/12, 9/12	97691904
Connection G 1/4 male/hose 4/6	from output of reaction tank	2 pieces	95717382
Solenoid valve for dilution water	230 V	without screw connections	95717444
	115 V		95717445
Diaphragm for solenoid valve dilution water			99287149
Level indicator of reaction tank		4 switching points	95717446
Level indicator of batch tank	OCD-162-30	2 switching points	95717447
Reaction tank with batch tank		complete	95717448
Level indicator of reaction tank		4 switching points	95717455
Level indicator of batch tank	OCD-162-60	2 switching points	95717456
Reaction tank		complete	95717457
Batch tank		complete	95717458
Ball valve at the batch tank		1 piece	95717384
Volume compensation bag		1 piece	95717449
Adsorption filter		1 piece	95717450
Valve at the adsorption filter	inlet and outlet valve	2 pieces	95717436
Multi-function valve			95704598
Cover			95717438
Foot cover			95717443
Electronic controller, 230 V	OCD-162-30	complete	95715743
Electronic controller, 115 V			95715744
Electronic controller, 230 V	OCD-162-60		95715745
Electronic controller, 115 V			95715746
Strainer	for input of solenoid valve	5 pieces	95717437
System frame			95717451
Foot			95717452
Hose PTFE 4/6, white	to volume compensation bag	1.5 m	96727482
T-piece for PTFE hose 4/6		1 piece	95714891
Connection pieces between connection for hose and solenoid valve.	G 5/8 male/G 1/4 male for input of solenoid valve	1 complete set	95723465
	G 1/4/G 5/8 male for output of solenoid valve		95723463
Connection for PE hose 6/9	for input of solenoid valve		95717385
Connection for PE hose 1/4 x 3/8, USA			98165337
Non-return valve	for dosing line	2 pieces	98165354
Connection G 5/8 female/hose 9/12	for internal connections	5 pieces	98165381
Fastening set	OCD-162-30 hose clamps and screws		95717459
	OCD-162-60 hose clamps and screws		95717460
Pipe elbow	at input of reaction tank		95717386

Oxiperm system

Oxiperm OCC-164 and OCD-164

Oxiperm OCC-164 (150-2500 g/h) and OCD-164 (30-2000 g/h) maintenance kits and spare parts

Description	OCC-164					OCD-164								Kit No
	164-150C	164-450C	164-750C	164-1300C	164-2500C	164-030D	164-120D	164-220D	164-350D	164-700D	164-1000D	164-1500D	164-2000D	
Dosing tubes for HCl and NaClO₂														
DN 4 (red) for HCl	X	X	X			X	X	X						9668871
DN 4 (blue) for NaClO ₂	X	X	X			X	X	X						9668872
DN 8 (transparent) for HCl, NaClO ₂				X	X				X	X	X	X	X	9668873
Foot valves														
Union nut, grey PVC (10 pieces)	X	X	X	X	X	X	X	X	X	X	X	X	X	99205816
Valve seat, grey PVC (10 pieces)	X	X	X	X	X	X	X	X	X	X	X	X	X	99345588
Ball, ceramic (10 pieces)	X	X	X	X	X	X	X	X	X	X	X	X	X	99186335
Foot valve DN 4	X	X	X			X	X	X						95730320
Foot valve DN 8				X	X				X	X	X	X	X	95730321
Weighting stone, KER 1101	X	X	X	X	X	X	X	X	X	X	X	X	X	99345589
Dosing controller														
Flowmeter DN 4														99345603
Flowmeter DN 4, size code on housing: 04	X	X				X	X							99345604
Flowmeter DN 4, size code on housing: 1			X					X						99345605
Flowmeter DN 8, size code on housing: 2	X								X					99345606
Flowmeter DN 8, size code on housing: 3				X										99345607
Flowmeter DN 8, size code on housing: 5		X	X		X					X	X			99345608
Flowmeter DN 8, size code on housing: 7				X								X	X	99345609
Flowmeter DN 20, size code on housing: 12					X									99345610
Label set														
Warning label, HCl label, NaClO ₂ label	X	X	X	X	X	X	X	X	X	X	X	X	X	99349364
Temperature sensor														
Temperature sensor	X	X	X	X	X									99349380
O-ring (5 pieces)	X	X	X	X	X									99185811
Orifice for sensor, PTFE/carbon with O-ring	X	X	X	X	X									99349381
Reactor (3 x valves)														
For system backpressure lower than 3 bar														96689070
For system backpressure higher than 3 bar														96689072
For system backpressure lower than 3 bar						X	X	X						91836549
For system backpressure higher than 3 bar						X	X	X						96689071
For system backpressure lower than 3 bar									X	X	X	X	X	91836550
For system backpressure higher than 3 bar									X	X	X	X	X	96689073
For system backpressure lower than 3 bar	X	X	X											96689074
For system backpressure higher than 3 bar	X	X	X											96689075
For system backpressure lower than 3 bar				X										96689076
For system backpressure higher than 3 bar				X										96689077
For system backpressure lower than 3 bar					X									96689078
For system backpressure higher than 3 bar					X									96689079
Bypass, standard version with solenoid valve														
Solenoid valve 230 V, with flow limiter 8 l/min						X	X	X	X					99345326
Solenoid valve 115 V, with flow limiter 8 l/min						X	X	X	X					99345328
Solenoid valve 230 V, with flow limiter 16 l/min										X	X	X	X	99345329
Solenoid valve 115 V, with flow limiter 16 l/min										X	X	X	X	99345331
Flow limiter 8 l/min	X	X				X	X	X	X					99345332
Flow limiter 16 l/min			X	X	X					X	X	X	X	99345343
Flowmeter FHKU 100	X	X	X	X	X	X	X	X	X	X	X	X	X	99345347
Bypass pump														
Bypass pump 230 V, bypass internal	X	X	X	X	X	X	X	X	X	X	X	X	X	96913085
Solenoid valve														
Solenoid valve 230 V, 50 Hz	X	X	X	X	X	X	X	X	X	X	X	X	X	99349639
Solenoid valve 115 V, 60 Hz	X	X	X	X	X	X	X	X	X	X	X	X	X	99349640

Description	OCC-164					OCD-164						Kit No		
	164-150C	164-450C	164-750C	164-1300C	164-2500C	164-030D	164-120D	164-220D	164-350D	164-700D	164-1000D		164-1500D	164-2000D
Batch														
Flowmeter FHKU 100				X	X						X	X	X	91834753
Flowmeter FHKU 56		X	X						X	X				95712071
Flowmeter FHKU 25	X							X						91836499
Flowmeter FHKU 20							X							96681088
Flowmeter FHKU 15						X								91836552
Flowmeter FHKU 10														96681089
PVC solenoid valve 230 V, 50/60 Hz	X	X	X	X	X	X	X	X	X	X	X	X	X	96688597
PVC solenoid valve 115 V, 50/60 Hz	X	X	X	X	X	X	X	X	X	X	X	X	X	91836553
Pressure-retention valve DN 8	X	X	X			X	X	X						95730742
Pressure-retention valve DN 20				X	X				X	X	X	X	X	96376567
Suction injection for enclosure exhausting option														
Spare part set injector 545	X	X	X	X	X	X	X	X	X	X	X	X	X	96688748
Diffuser B complete						X	X	X						91834747
Diffuser C complete	X	X	X	X	X				X	X	X	X	X	91834748
Nozzle B						X	X	X						96681070
Nozzle C	X	X	X	X	X				X	X	X	X	X	91834743

Oxiperm OCC-164 (150-10000 g/h) maintenance kits for one year

Oxiperm type	Date of manufacture [MM/YYYY]	Variant	Pressure	Kit No
164-150C	until 12/2003		up to 3 bar	96729640
	until 12/2003		more than 3 bar	96729639
	from 01/2004 until 03/2012		up to 3 bar	96689100
	from 01/2004 until 03/2012		more than 3 bar	96689101
	from 04/2012		up to 3 bar	98363493
164-450C	from 04/2012		more than 3 bar	98363496
	until 12/2003		up to 3 bar	96729642
	until 12/2003		more than 3 bar	96729641
	from 01/2004 until 03/2012		up to 3 bar	99594985
	from 01/2004 until 03/2012		more than 3 bar	99595055
164-750C	from 04/2012		up to 3 bar	98363499
	from 04/2012		more than 3 bar	98363500
	until 12/2003		up to 3 bar	96729644
	until 12/2003		more than 3 bar	96729643
	from 01/2004 until 03/2012		up to 3 bar	99595006
164-1300C	from 01/2004 until 03/2012		more than 3 bar	99595057
	from 04/2012		up to 3 bar	98363501
	from 04/2012		more than 3 bar	98363502
	until 12/2003		up to 3 bar	96729646
	until 12/2003		more than 3 bar	96729645
164-2500C	from 01/2004 until 03/2012		up to 3 bar	99595020
	from 01/2004 until 03/2012		more than 3 bar	99595666
	from 04/2012		up to 3 bar	98363503
	from 04/2012		more than 3 bar	98363504
	until 12/2003		up to 3 bar	96729648
164-4000C and 164-6000C	until 12/2003		more than 3 bar	96729647
	from 01/2004 until 03/2012		up to 3 bar	99595039
	from 01/2004 until 03/2012		more than 3 bar	99595667
	from 04/2012		up to 3 bar	98363505
	from 04/2012		more than 3 bar	98363506
164-7500C	from 01/2004 until 03/2012	230 V and 115 V		99595668
	from 04/2012			98363507
	from 01/2004 until 03/2012	115 V		99595672
	from 04/2012	115 V		98363509
164-10000C	from 01/2004 until 03/2012	230 V		99595670
	from 04/2012	230 V		98363508
164-10000C	from 01/2004 until 03/2012	230 V and 115 V		99595671
	from 04/2012	230 V and 115 V		98363510

The package includes maintenance kit for dosing pump.

Oxiperm OCD-164 (30-2000 g/h) maintenance kits for one year

Oxiperm type	Date of manufacture [MM/YYYY]	Variant	Pressure	Kit No
164-030D 164-120D	until 12/2003	with calibration system	up to 3 bar	91836528
	until 12/2003	with calibration system	more than 3 bar	96729585
	from 01/2004 until 03/2012	with calibration system	up to 3 bar	99594274
	from 01/2004 until 03/2012	with calibration system	more than 3 bar	99594904
	from 01/2004 until 03/2012		up to 3 bar	99594978
	from 01/2004 until 03/2012		more than 3 bar	99594934
	from 04/2012	with calibration system	up to 3 bar	98363408
	from 04/2012	with calibration system	more than 3 bar	98363422
	from 04/2012		up to 3 bar	98363426
	from 04/2012		more than 3 bar	98363427
164-220D	until 12/2003		up to 3 bar	96729587
	until 12/2003		more than 3 bar	96729586
	from 01/2004 until 03/2012	with calibration system	up to 3 bar	99594871
	from 01/2004 until 03/2012	with calibration system	more than 3 bar	99594905
	from 04/2012	with calibration system	up to 3 bar	98363429
	from 04/2012	with calibration system	more than 3 bar	98363434
	from 01/2004 until 03/2012		up to 3 bar	99594954
	from 01/2004 until 03/2012		more than 3 bar	99594919
	from 04/2012		up to 3 bar	98363436
	from 04/2012		more than 3 bar	98363438
164-350D	from 01/2004 until 03/2012	with calibration system	up to 3 bar	99594884
	from 01/2004 until 03/2012	with calibration system	more than 3 bar	99594906
	from 04/2012		up to 3 bar	98363440
	from 04/2012		more than 3 bar	98363461
164-700D	until 12/2003		up to 3 bar	96729592
	until 12/2003		more than 3 bar	96729591
	from 01/2004 until 03/2012	with calibration system	up to 3 bar	99594885
	from 01/2004 until 03/2012	with calibration system	more than 3 bar	99594912
	from 04/2012		up to 3 bar	98363462
	from 04/2012		more than 3 bar	98363463
164-1000D	from 01/2004 until 03/2012	with calibration system	up to 3 bar	99594886
	from 01/2004 until 03/2012	with calibration system	more than 3 bar	99594914
	from 04/2012		up to 3 bar	98363464
	from 04/2012		more than 3 bar	98363465
164-1500D	from 01/2004 until 03/2012	with calibration system	up to 3 bar	99594892
	from 01/2004 until 03/2012	with calibration system	more than 3 bar	99594908
	from 04/2012		up to 3 bar	98363466
	from 04/2012		more than 3 bar	98363467
164-2000D	from 01/2004 until 03/2012	with calibration system	up to 3 bar	99594903
	from 01/2004 until 03/2012	with calibration system	more than 3 bar	99594911
	from 04/2012		up to 3 bar	98363469
	from 04/2012		more than 3 bar	98363470

The package includes maintenance kit for dosing pump.

Oxiperm OCC-164 (150-2500 g/h) and OCD-164 (30-2000 g/h) maintenance kits for dosing pumps

Pump	Voltage [V]	Medium	Kit No
164-150C	208-1.0	HCl	96641420
		NaClO ₂	
	115	HCl	
		NaClO ₂	
221-16	230	H ₂ O	91835948
	115		
164-450C	208-3.0	HCl	96641420
		NaClO ₂	
	115	HCl	
		NaClO ₂	
221-16	230	H ₂ O	91835948
	115		
164-750C	208-6.0	HCl	91835902
		NaClO ₂	
	115	HCl	
		NaClO ₂	
221-27	230	H ₂ O	91835950
	115		
164-1300C	221-16	HCl	91835948
		NaClO ₂	
	115	HCl	
		NaClO ₂	
221-50	230	H ₂ O	96645652
	115		
164-2500C	221-16	HCl	91835948
		NaClO ₂	
	115	HCl	
		NaClO ₂	
253-100	230	H ₂ O	91836270
164-030D	208-1.0	HCl	96641420
		NaClO ₂	
	115	HCl	
		NaClO ₂	
164-120D	208-3.0	HCl	96641420
		NaClO ₂	
	115	HCl	
		NaClO ₂	
164-220D	208-6.0	HCl	91835902
		NaClO ₂	
	115	HCl	
		NaClO ₂	
164-350D	221-16	HCl	91835948
		NaClO ₂	
	115	HCl	
		NaClO ₂	
164-700D	221-16	HCl	91835948
		NaClO ₂	
	115	HCl	
		NaClO ₂	
164-1000D	221-27	HCl	91835950
		NaClO ₂	
	115	HCl	
		NaClO ₂	
164-1500D	221-35	HCl	91835954
		NaClO ₂	
	115	HCl	
		NaClO ₂	
164-2000D	221-50	HCl	96645652
		NaClO ₂	
	115	HCl	
		NaClO ₂	

Electronic board, Oxiperm OCC-164 (150-2500 g/h)

Type	Voltage [V]	Kit No
Control panel ALLDOS	230	95725830
Control panel ALLDOS	115	95726832
Control panel ASHLAND	230	95726871
Control panel ASHLAND	115	95726872

Electronic board, Oxiperm OCD-164 (30-2000 g/h)

Type	Voltage [V]	Kit No
Control panel ALLDOS	230	95716606
Control panel ALLDOS	115	95726804
Control panel ASHLAND	230	95726869
Control panel ASHLAND	115	95726870

Fuses for control panel

Type	Comment	Kit No
Set of fuses*	For all systems	96688774
Memory buffer battery (CR2032)	For all systems	99248124

* Fine fuses 5x20, inert: 0.1 A, 1 A, 6.3 A, 10 A, four of each size

Selcoperm system

Selcoperm SES 125-2000

Maintenance kits

The maintenance kit includes parts for maintenance after two years (maintenance kit for brine pump and for Selcoperm).

Description	Kit No
Maintenance kits for systems until 2010	
Selcoperm 125-500	95702281
Selcoperm 1000-2000	95702282
Maintenance kits for systems from 2011	
Selcoperm 125-500	98045877
Selcoperm 1000-2000	98045899
Maintenance kits for systems from 04-2012	
Selcoperm 125-500	98047506
Selcoperm 1000-2000	98047507

Acid cleaning kit

For cleaning the electrolyser cell in case of deposits.

Description	Kit No
Manual acid pump and connection hose	95702377

Test kit

Description	Kit No
Test kit for SES, comprising:	
• Measuring cylinder	
• Total hardness test for titrimetric determination of the water hardness	
• Thermometer	98842487
• Spindle for density measurement	
• Titration set for measurement of the chlorine concentration in the sodium hypochlorite solution	
• Operating instructions	

Spare parts for Test kit:

Description	Product number
Hydrometer	98503876
Thermometer	98708008
Stirring rod	95727771
Syringe assembly with 3-way valve, 1.25 ml	98948744
Total hardness test kit	98948745
Set of 100 Acidifying GP tablets and 100 Chlorine HR tablets	98144705
Titration cartridge with 20 ml of 2N sodium thiosulfate solution (Na ₂ S ₂ O ₃)	98948756

Selcoperm SES 5000-45000

Selcoperm O-ring kits

Description	For SES type							Kit No
	5000	7500	10000	15000	20000	30000	45000	
O-ring kit for piping (NaClO outlet and T-piece)	X	X	X					99047273
				X				99047275
					X	X	X	99055042
O-ring kit for hydraulic chamber	X	X	X	X				99047280
					X	X	X	99055044
	X	X						99047281
			X	X				99047284
O-ring kit for electrolysis cell(s)					X	X		99055047
							X	99055048

Selcoperm electrolysis cells

Description	For SES type							Product number
	5000	7500	10000	15000	20000	30000	45000	
Electrolysis cell 1 - 5000 g/h	X		X		X			99047026
Electrolysis cell 2 - 5000 g/h			X		X			99047028
Electrolysis cell 1 - 7500 g/h		X		X		X	X	99047031
Electrolysis cell 2 - 7500 g/h				X		X	X	99047033
Electrolysis cell 3 - 7500 g/h							X	99054997

Brine dosing station

These maintenance kits comprise the diaphragm and valve parts for the maintenance of the brine pumps in the brine dosing station. One kit is required for each pump.

For SES type	Version	Pump type	Kit No
5000	until week 23-2017	DDI AF 150-4	96634524
	from week 24-2017	DDA FCM 200-4	99151341
7500	until week 23-2017	DDI AF 150-4	96634524
	from week 24-2017	DDA FCM 200-4	99151341
10000	until week 23-2017	DDI AF 150-4	96634524
	from week 24-2017	DDA FCM 200-4	99151341
15000	until week 23-2017	DME AR 375-10	96520380
	from week 24-2017	DDA FCM 200-4	99151341
20000		DME AR 375-10	96520380
30000		DME AR 940-4	96520391
45000		DME AR 940-4	96520391

Acid cleaning station

The maintenance kit comprises the diaphragm and valve parts for the maintenance of the acid cleaning pump in the acid cleaning station.

Acid cleaning station PN	Pump type	Medium	Kit No
98865693	DMX 460-3.5 (95750148)	HCl / citric acid	98871195

Test kit

Description	Kit No
Test kit for SES, comprising:	
• Measuring cylinder	
• Total hardness test for titrimetric determination of the water hardness	
• Thermometer	98842487
• Spindle for density measurement	
• Titration set for measurement of the chlorine concentration in the sodium hypochlorite solution	
• Operating instructions	

Spare parts for Test kit:

Description	Product number
Hydrometer	98503876
Thermometer	98708008
Stirring rod	95727771
Syringe assembly with 3-way valve, 1.25 ml	98948744
Total hardness test kit	98948745
Set of 100 Acidifying GP tablets and 100 Chlorine HR tablets	98144705
Titration cartridge with 20 ml of 2N sodium thiosulfate solution (Na ₂ S ₂ O ₃)	98948756

Polydos**Polydos 412A spare parts**

Description	For type PD412A	Product No.
Metering screw	500/1000/2000	98502332
	4000/6000	98503705
	10000	98503704
Pressure reducing valve	500/1000	95734792
	2000	98421613
	4000/6000	95719774
	10000	98421615
Solenoid valve	500/1000	95706390
	2000	95706391
	4000/6000	95710313
	10000	98421611
Stirrer on chamber I	500	98421991
	1000	95716817
	2000	95716820
	4000/6000	95716824
	10000	95716829
Stirrer on chamber II/III	500	98421990
	1000	95716818
	2000	95716821
	4000	95716825
	6000/10000	95716827
Water flow meter	500/1000	99058227
	2000	99058275
	4000/6000/10000	99058279

Measurement & control

AquaCells D1, D2, D3, D11, D12, D13

Electrodes, buffers

Buffer solution

Type	Info	Kit No
pH buffer	pH 4.01, pH 7, pH 9.18 3 x 100 ml	96609165
Redox buffer	+220 mV	96609166
KCl, 3 M	For the storage of electrodes	96688696

Distribution box

Type	Kit No
Distribution box	91835294

Electrodes, pH

Type	Version	Temp.	Pressure	Kit No
Electrode ceramic	pH 1-12	-5 to +80 °C	6 bar	96609158
Electrode	pH 1-12	-5 to +80 °C	10 bar	96609161
Electrode PTFE diaphragm	pH 1-12	0 to +80 °C	6 bar	96609159
Electrode KCL tank	pH 0-12	-5 to +80 °C	0 - 6 bar	95707720

Electrodes, Redox

Type	Version	Temperature	Pressure	Kit No
Electrode ceramic		-5 to +80 °C	6 bar	96609162
Electrode	Only for DIP	-5 to +80 °C	6 bar	96622944
Electrode PTFE diaphragm	± 1500 mV	-5 to +80 °C	6 bar	96609163

H₂O₂

Type	Version	Comment	Kit No
Measuring electrode	Complete	Including electrolyte	96622973
Diaphragm	Incl. electrolyte		96622974
Electrolyte	H ₂ O ₂		96622975
Cable		Length: 2 m	91835331

Spare parts for measuring cells

Type	Version	Medium	Kit No					
			D11, 314-1xx -2xx -3xx	D1	D13, 314-6xx	D3	D12, 314-9xx	D2
Reference electrode	Gold	Chlorine	91835242	-	-	-	-	-
Reference electrode	Platinum	Chlorine	91835244	-	-	-	-	-
Reference electrode		Chlorine	-	96609174	96609174	96609174	96609174	96609174
Measuring electrode	Gold	Chlorine	91835242	96609175	91835855	96609175	96690373	96609175
Measuring electrode	Platinum	Chlorine	91835244	96609176	96688836	96609176	96688868	96609176
Cleaning wing			-	96609181	-	96622950	-	96622950
Cleaning wing + sealing			-	-	96657349	-	96690372	-
Cleaning stone, sealing, balls, washer			91835822	-	-	-	-	-
Gaskets			-	96609171	-	96609171	-	96609171
Sample-water filter			96681072	91834713	91834713	91834713	91834713	91834713
Sample-water sensor	3 m		96609173	96609173	91835355	96609173	96609173	96609173
Sample-water sensor	1 m		96609172	96609172	96687939	96609172	96609172	96609172
Pt100	Temperature measurement, 1 m		96687987	-	96697322	-	96687987	-
Pt100	Temperature measurement, 3 m		99432138	-	91834712	-	99432138	-
Pressure-retention valve	0.3 bar outlet		99253231	99253231	-	-	99253231	99253231

Peracetic acid

Type	Version	Comment	Kit No
Measuring electrode	Complete	Including electrolyte	95701374
Diaphragm	Incl. electrolyte		96622962
Electrolyte	Peracetic acid		96622966
Cable		Length: 2 m	91835331

Cables for measuring cells

Type	Version	Length	Kit No
Signal cable, 4(0)-20 mA	Single screening 2-wire	1 m	96687719
		2 m	96725671
		10 m	96725670
		20 m	96725672
		50 m	96725673
Conex sensor interface	Single screening 4-wire	1 m	96635553
		5 m	96611925
		15 m	96611928
		25 m	96611929

Measuring cells

Cable measuring electrode	D12, D13, 314-6xx, -9xx	1.2 m	96687722
Cable measuring electrode	D12, D13, 314-6xx, -9xx	2 m	96687723
Electrode cable*	Electrode connector N	1 m	96609182
Electrode cable*	Electrode connector N	3 m	96609183
Cable counter electrode	D11, 314-1xx, -2xx, -3xx	1 m	96687765
Cable counter electrode	D11, 314-1xx, -2xx, -3xx	3 m	91835333
Cable measuring electrode	D1, D2, D3	1 m	96609184
Cable measuring electrode	D1, D2, D3	3 m	96609185

Diaphragm measuring cells

Sensor cable	PAA	2 m	91835331
Sensor cable	H ₂ O ₂	2 m	91835331

* coaxial

Conex DIA-1, DIA-2, DIA-2Q

Type	Version	Kit No
Battery	Varta CR2032	99248124
Sensor interface	For panel-mounted amplifiers	96681059

Conversion kit

Type	Version	Kit No
Conversion kit	D1	96681139
	230 VAC cleaning motor	96622998
	115 VAC cleaning motor	96622999
	24 VDC cleaning motor	95707619
Conversion kit	D3	96681141
Conversion kit	D2	96681140

Sensim

Type	Info	Kit No
Battery	9 V	99248126
Adapter	Electrode cable (N-plug) to BNC	96694052

DID

Maintenance kits for disinfectant sensors

Maintenance kits for disinfectant sensors include a bottle of electrolyte and a membrane cap.

Maintenance kit for parameter	Sensor type*	Kit No
Free chlorine (FCI)	E507 1/2	99074494
	E520	99290666
Total chlorine (TCI)	E507 3/4	99074495
	E525	99290667
Chlorine dioxide (CDI)		99074496
Hydrogen peroxide (HP)		99074497
Peracetic acid (PA)		99074498

* Can be found on the sensor

Maintenance kits for pH and ORP sensors

Maintenance kits for pH and ORP sensors include an electrode to replace the one included in the sensor.

Maintenance kit for parameter	Kit No
pH	99074499
ORP	99074500

Hydraulic connectors for DIDs with bypass flow cell

Description	Kit No
2 x adaptor G 1/2" to connection size G 5/8	99258903
2 x connection kit PVC U2	
2 x connection kit PVC U7	
1 x deaeration spindle for flow cell	
1 x nozzle for sample water outlet	

KCl solution for safe storage of pH and ORP sensors

Description	Kit No
Bottle of KCl solution for safe storage of pH and ORP sensors, 250 ml	96688696

Buffer solution kit for pH sensor calibration

The buffer solution kit includes three buffer solutions with pH 4.01, pH 7 and pH 9.18.

Description	Kit No
Buffer solution kit, 3 x 100 ml	96609165

Photometers

Accessories

Type	Info	Kit No
For DIT-B, DIT-N		
Battery	9 V	99248126
For DIT-S		
Charger	DIT-S	98664883
Electrode pH		96609164
Electrode Redox		96623006

DIT-B test reagent

Type	Info	Number of analyses	Kit No
Aluminium	0.02 - 0.5 mg/l	200	91836395
Cl ₂ (free or total)	O ₃ , ClO ₂	350	96609167
ClO ₂	Reagent 1	150	96690369
ClO ₂	Reagent 2	350	91835798
O ₃		200	96688706
Free chlorine	0.03 - 5.0 mg/l	350	91835797
Chloride	1 - 25 mg/l	200	96688705
Cyanuric acid	1 - 200 mg/l	200	96688710
Iron	0.1 - 1.2 mg/l	200	96688698
Fluoride	0.1 - 2.0 mg/l	250	96688709
pH	pH 6 - 8.5	200	96609168
Phosphate	0.07 - 4.5 mg/l	200	96688704

DIT-L test methods and reagents

Method	Parameter	Differentiation	Measuring range	Analyses per PU ¹⁾	Designation	Product number
CL 6	Chlorine, free	Free	0.01 - 6 mg/l Cl ₂	250	DPD No. 1 tablets	95727747
	Chlorine, free (high Ca)	Free (high Ca)			DPD No 1 high Calcium tablets	95727748
	Chlorine, total	Free and combined differentiated			DPD No. 1 tablets or DPD No. 1 high Calcium tablets	95727747 95727748
	Chlorine, total	Not differentiated			DPD No. 3 tablets	95727750
CLO ₂	Chlorine dioxide	In absence of Cl ₂	0.02 - 11 mg/l ClO ₂	250	DPD No. 4 tablets	95727751
		In presence of Cl ₂			DPD No. 1 tablets	95727747
CL 6	Chlorine dioxide analysis ²⁾	Chlorine dioxide, chlorite, free chlorine, combined chlorine	0.01 - 6 mg/l	250	Glycine tablets	95727752
					DPD No. 1 tablets	95727747
					DPD No. 3 tablets	95727750
					Glycine tablets	95727752
O ₃	Ozone	In absence of Cl ₂	0.02 - 2 mg/l O ₃	250	DPD acidifying tablets	98032751
					DPD neutralising tablets	98032752
		In presence of Cl ₂			DPD No. 1 tablets	95727747
					DPD No. 3 tablets	95727750
pH	pH value	Phenol red	6.5 - 8.4 pH	250	Phenol red photometer tablets	95727753

¹⁾ PU = packing unit.

²⁾ The measurements are performed with method "CL6" as the photometer does not supply a specific method for the determination of these parameters.

DIT-M test methods and reagents

No	Parameter	Differentiation	Measuring range	Analyses per PU	Designation	Product number
40	Aluminium T		0.01 - 0.3 mg/l Al	250	Combi pack Aluminium No. 1/No. 2, 250 tablets each	95727755
80	Bromine T		0.05 - 13 mg/l Br	100	DPD No. 1 tablets	95727761
100	Chlorine T	Free	0.01 - 6 mg/l Cl ₂	250	DPD No. 1 tablets	95727747
		Free (high Ca)			DPD No. 1 high Calcium tablets	95727748
		Total (free and combined differentiated)			DPD No. 1 tablets or DPD No. 1 high Calcium tablets	95727747 95727748
					DPD No. 3 tablets	95727750
		Total (not differentiated)			DPD No. 4 tablets	95727751
120	Chlorine dioxide T	Cl ₂ and ClO ₂ differentiated	0.02 - 11 mg/l ClO ₂	250	DPD No. 1 tablets	95727747
		ClO ₂ in absence of Cl ₂			DPD No. 3 tablets	95727750
					Glycine tablets	95727752
		100			Chlorine dioxide analysis T ¹⁾	Chlorine dioxide, chlorite, free chlorine, combined chlorine
DPD No. 3 tablets	95727750					
100	DPD acidifying tablets		98032751			
	DPD neutralising tablets		98032752			
90	Chloride T		0.5 - 25 mg/l (Cl ⁻)	250	Combi pack chloride T 1/T 2, 250 tablets each	95727754
160	Cyanuric acid		2 - 160 mg/l CyA	100	CyA-TEST tablets	95727760
220	Iron		0.02 - 1 mg/l Fe	100	Iron LR tablets	95727756
170	Fluoride L		0.05 - 2 mg/l F ⁻	100	SPADNS reagent	95727757
					Fluoride standard	95727758
240	Manganese T		0.2 - 4 mg/l Mn	100	Combi pack, manganese LR 1/LR 2, 100 tablets each	95727759
					DPD No. 1 tablets	95727747
					DPD No. 3 tablets	95727750
					Glycine tablets	95727752
300	Ozone T	O ₃ in the presence of Cl ₂	0.02 - 2 mg/l O ₃	250	DPD No. 1 tablets	95727747
		O ₃ in absence of Cl ₂			DPD No. 3 tablets	95727750
					DPD No. 1 tablets	95727747
320	Phosphate LR, ortho T		0.05 - 4 mg/l PO ₄	100	Combi pack, phosphate No. 1 LR/No. 2 LR, 100 tablets each	95727764
210	Hydrogen peroxide T		0.03 - 3 mg/l H ₂ O ₂	100	Hydrogen peroxide LR tablets	95727762
330	pH value T		6.5 - 8.4 (phenol red)	250	Phenol red photometer tablets	95727753
20	Acid demand to pH 4.3 T		0.1 - 4 mmol/l	100	Alka-M-photometer tablets	95727763

T = tablet, L = liquide reagent, LR = low range, PU = packing unit.

¹⁾ The measurements are performed with method "100 Chlorine" and differentiation "free" as the photometer does not supply a specific method for the determination of these parameters.

Release date: 0319

http://net.grundfos.com/qri/96488862_23

