

CM

BOOSTER

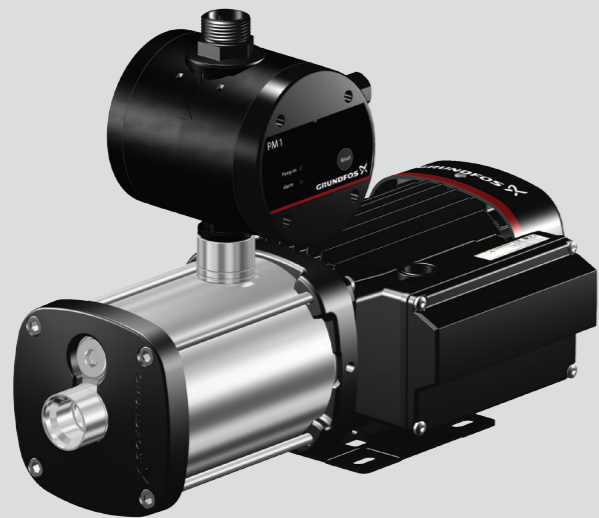
Self-priming

be
think
innovate

GRUNDFOS 



CMB-SP PM1



CMB-SP PM2



CMB-SP PM1 SET



CMB-SP PM2 SET

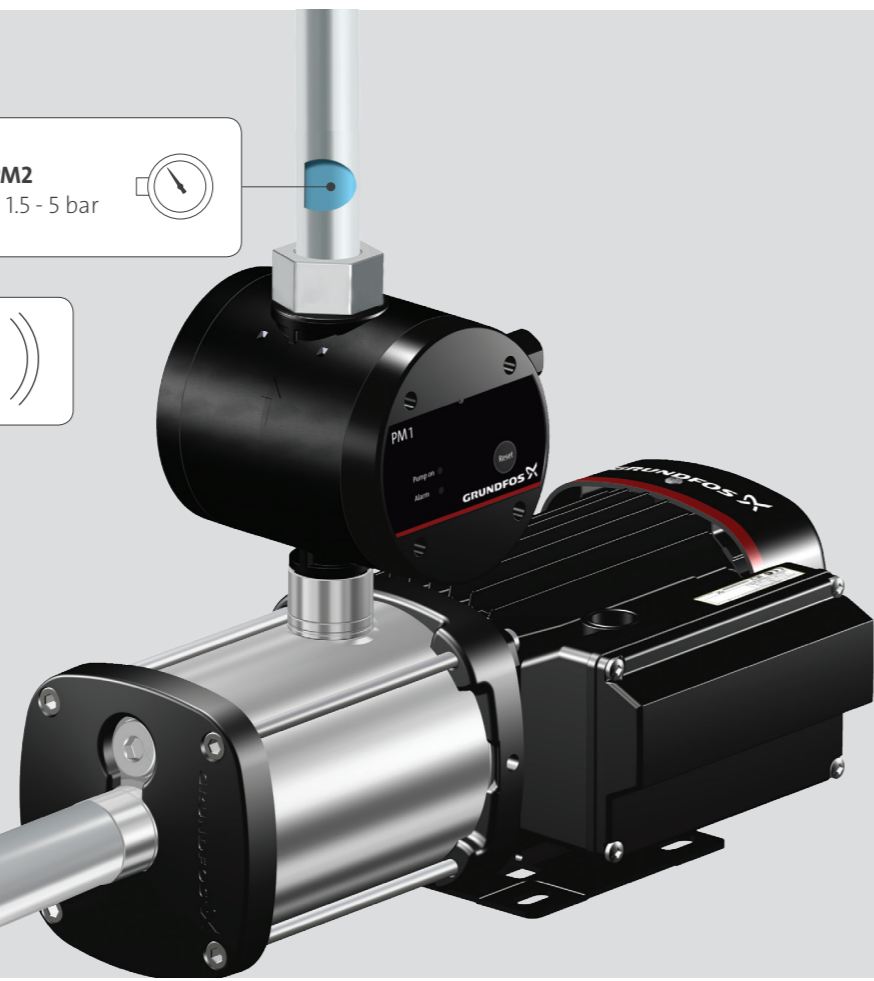




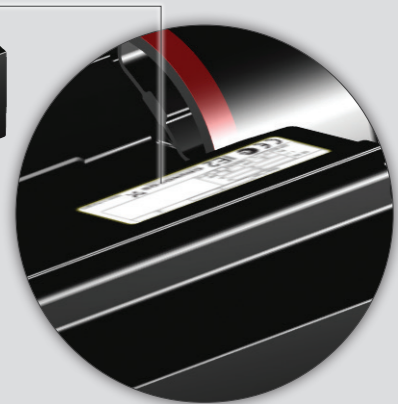
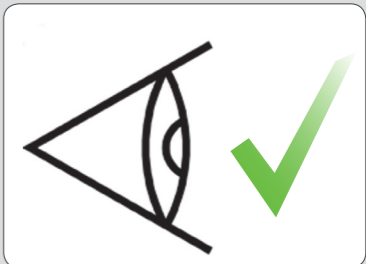
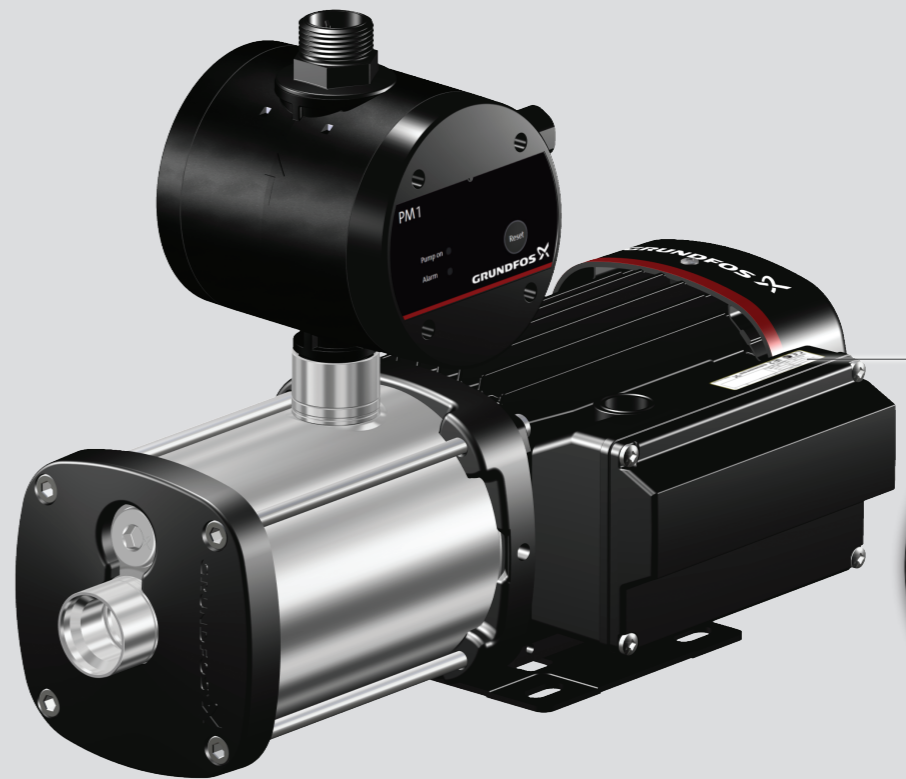
PM1 - 15 > 1.5 bar	PM1 - 22 > 2.2 bar	PM2 > 1.5 - 5 bar
------------------------------	------------------------------	-----------------------------

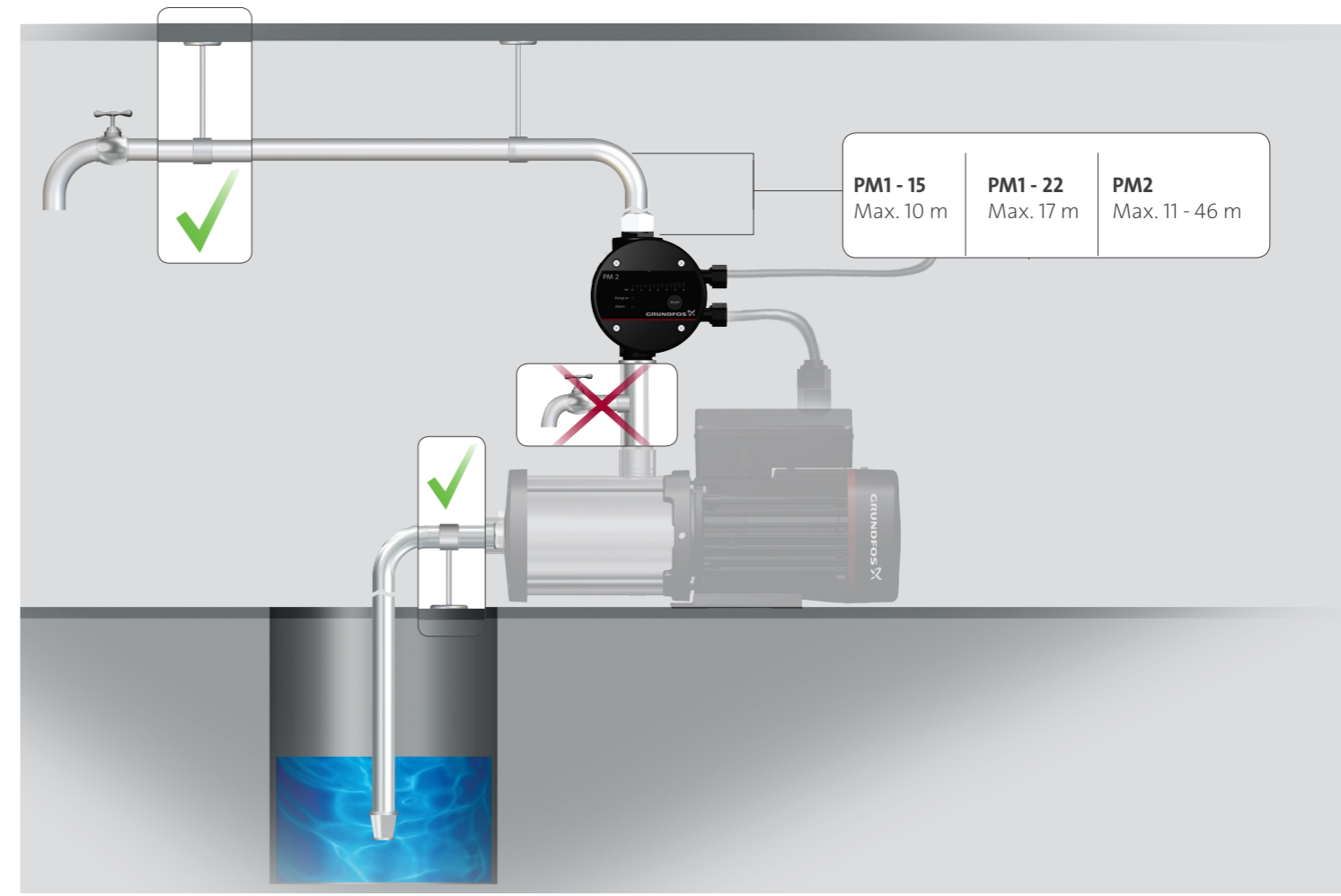
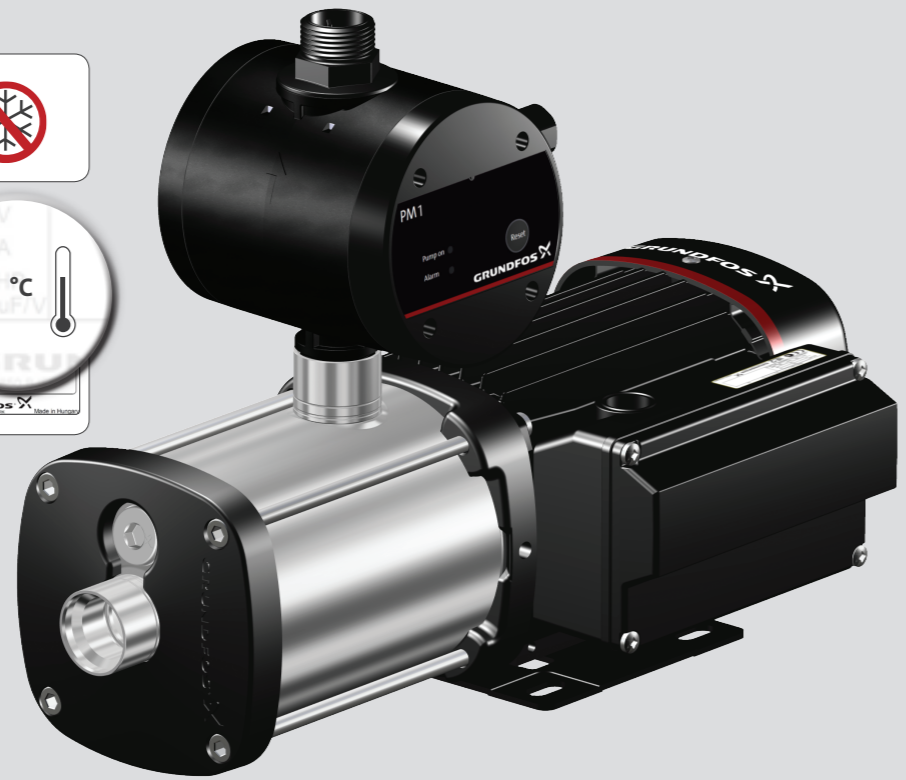
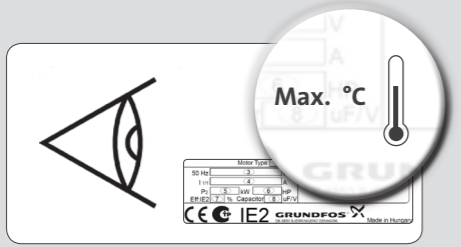


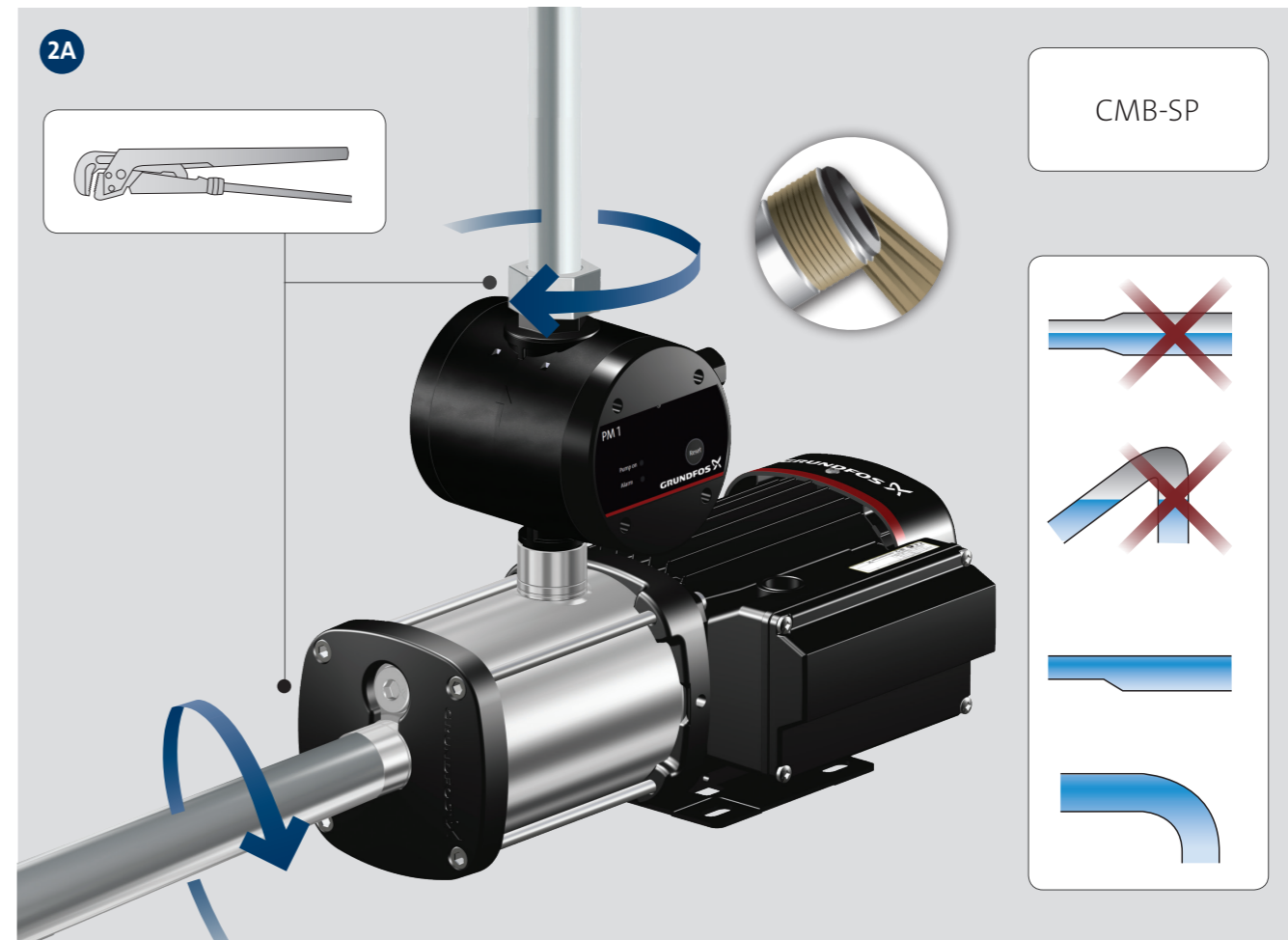
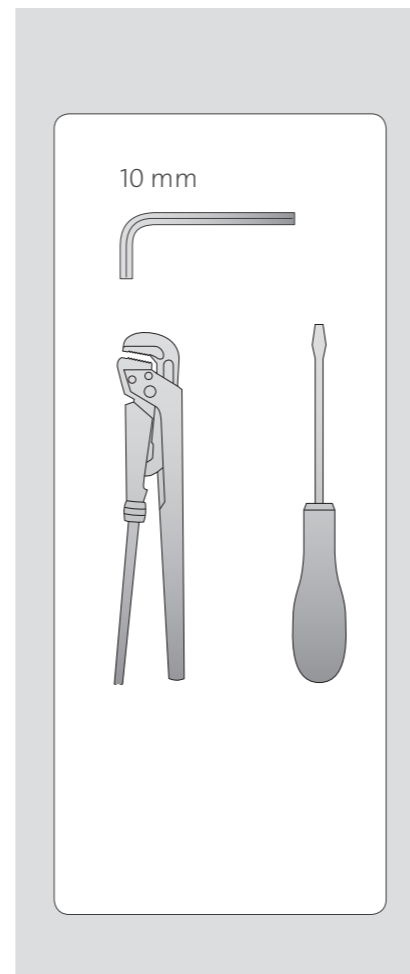
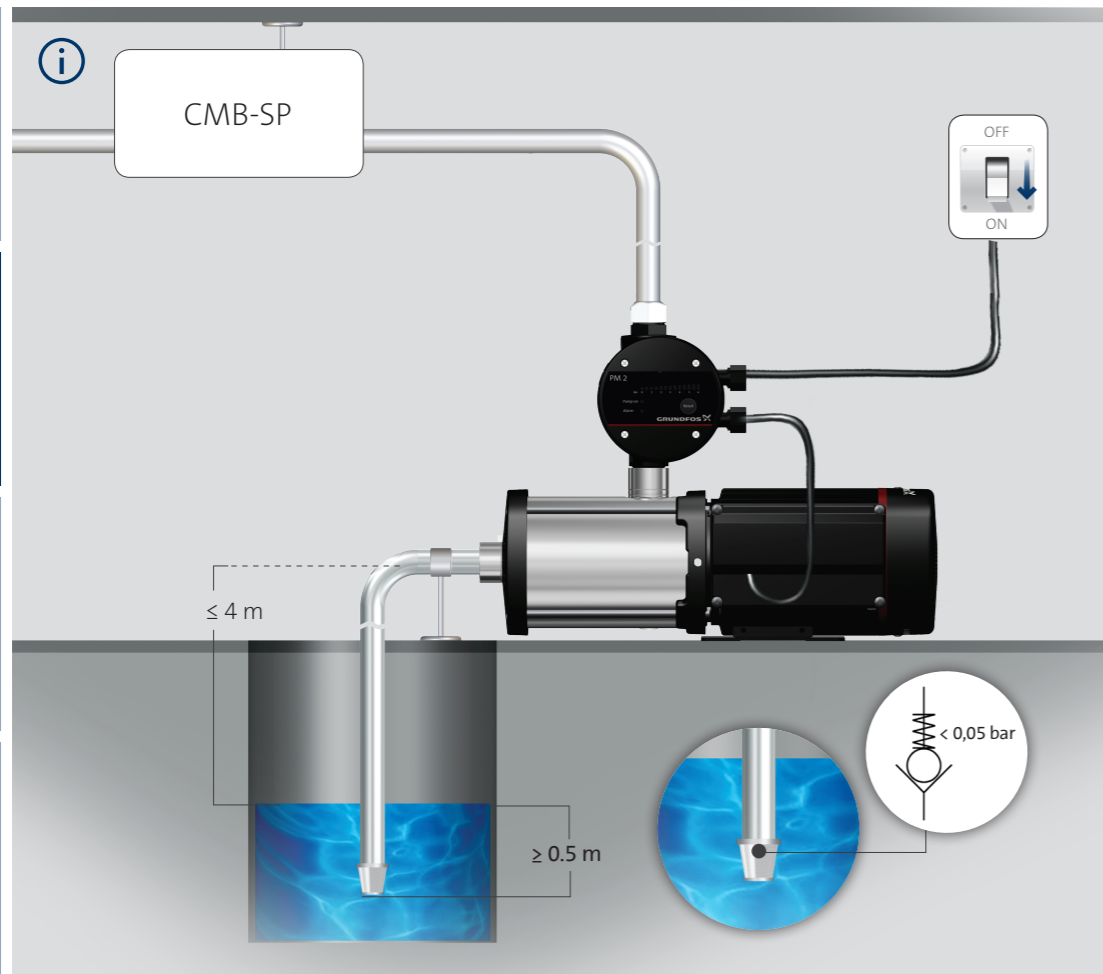
< 55 dB(A)

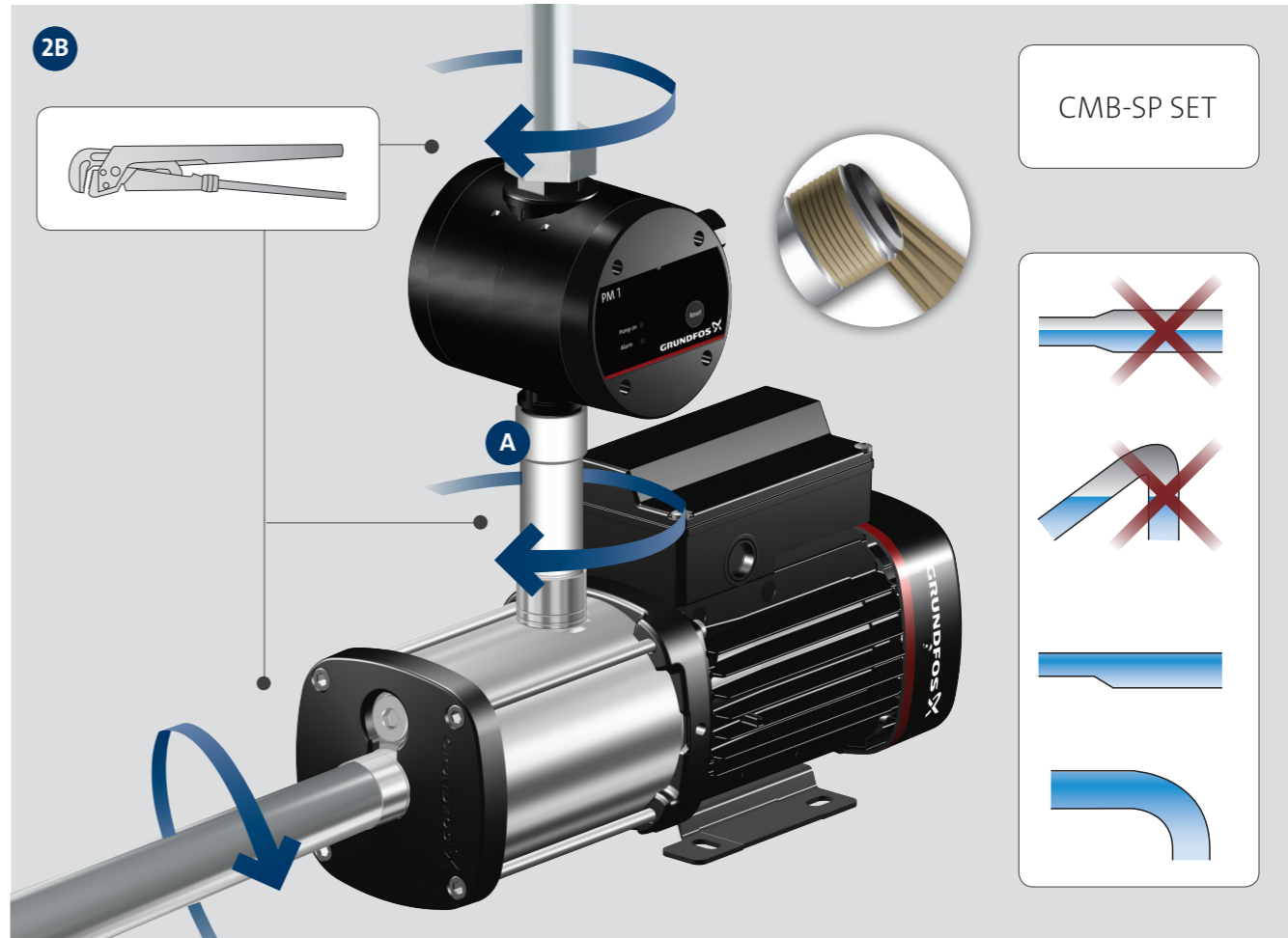
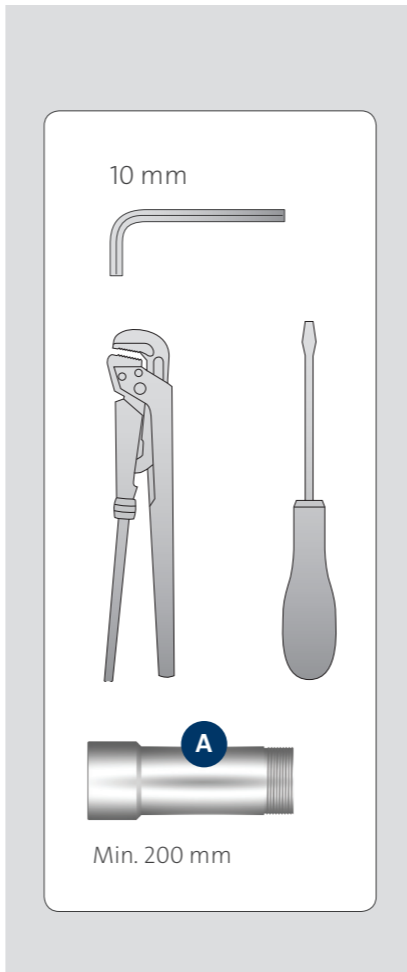
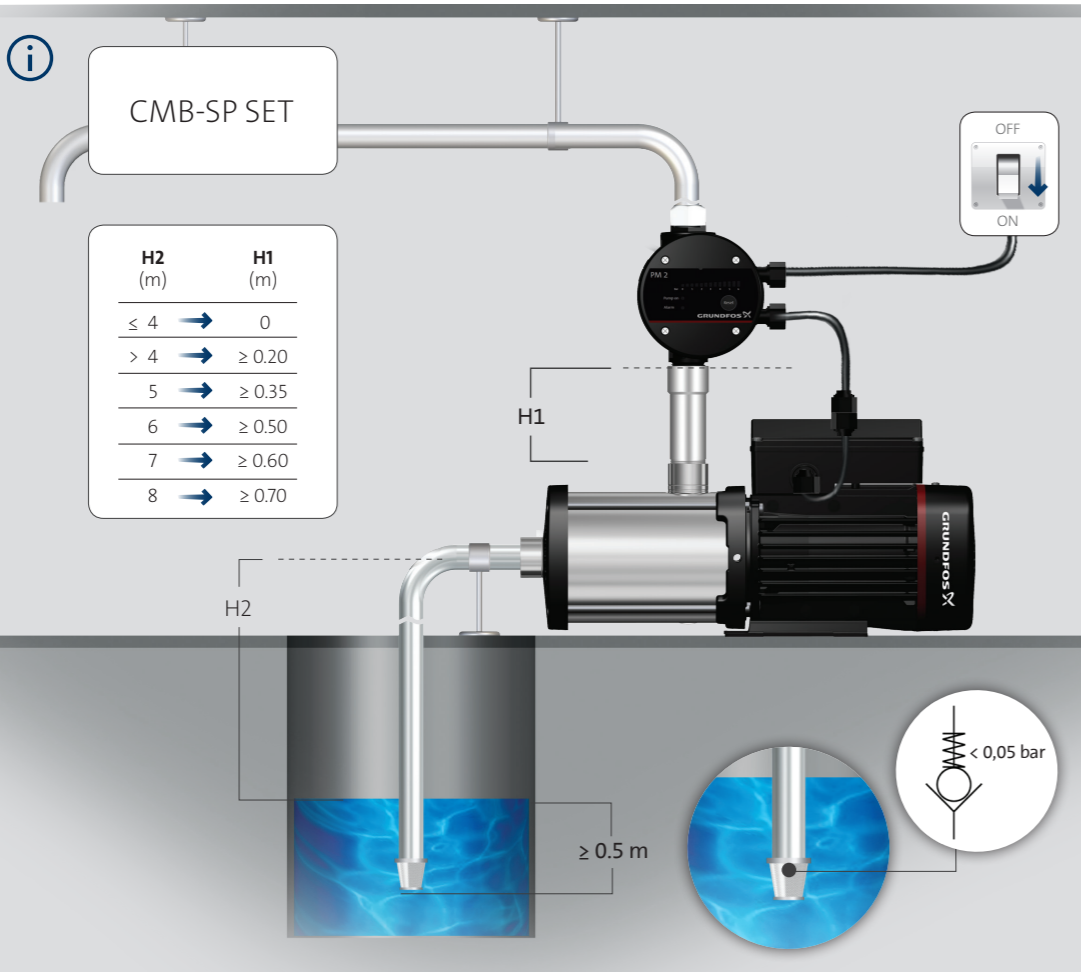
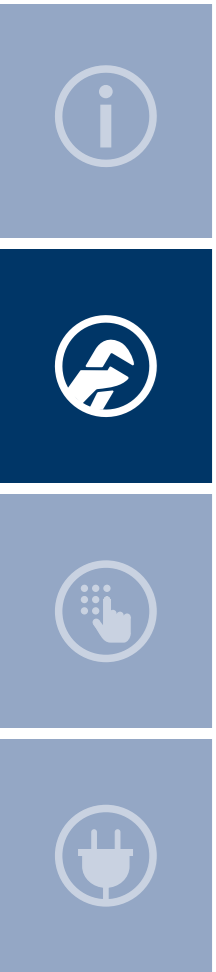


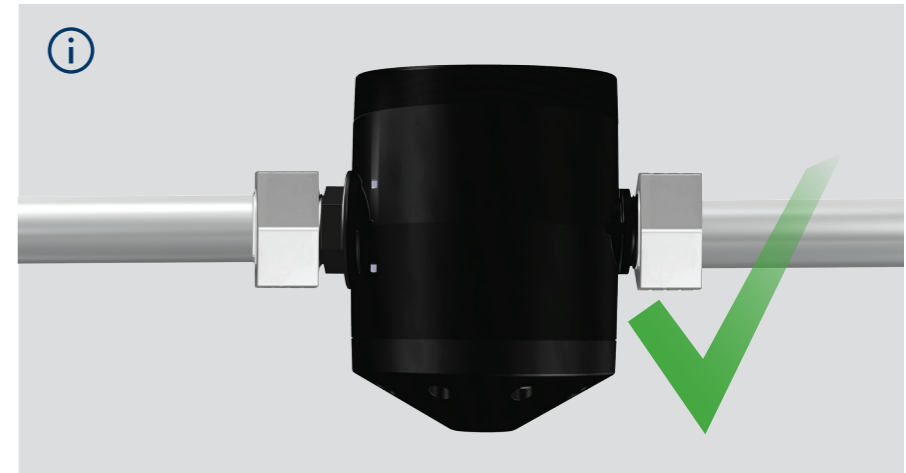
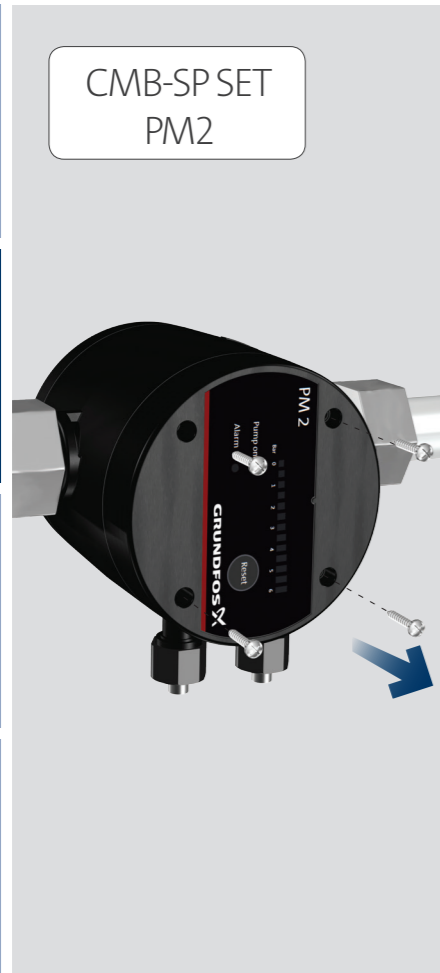
1

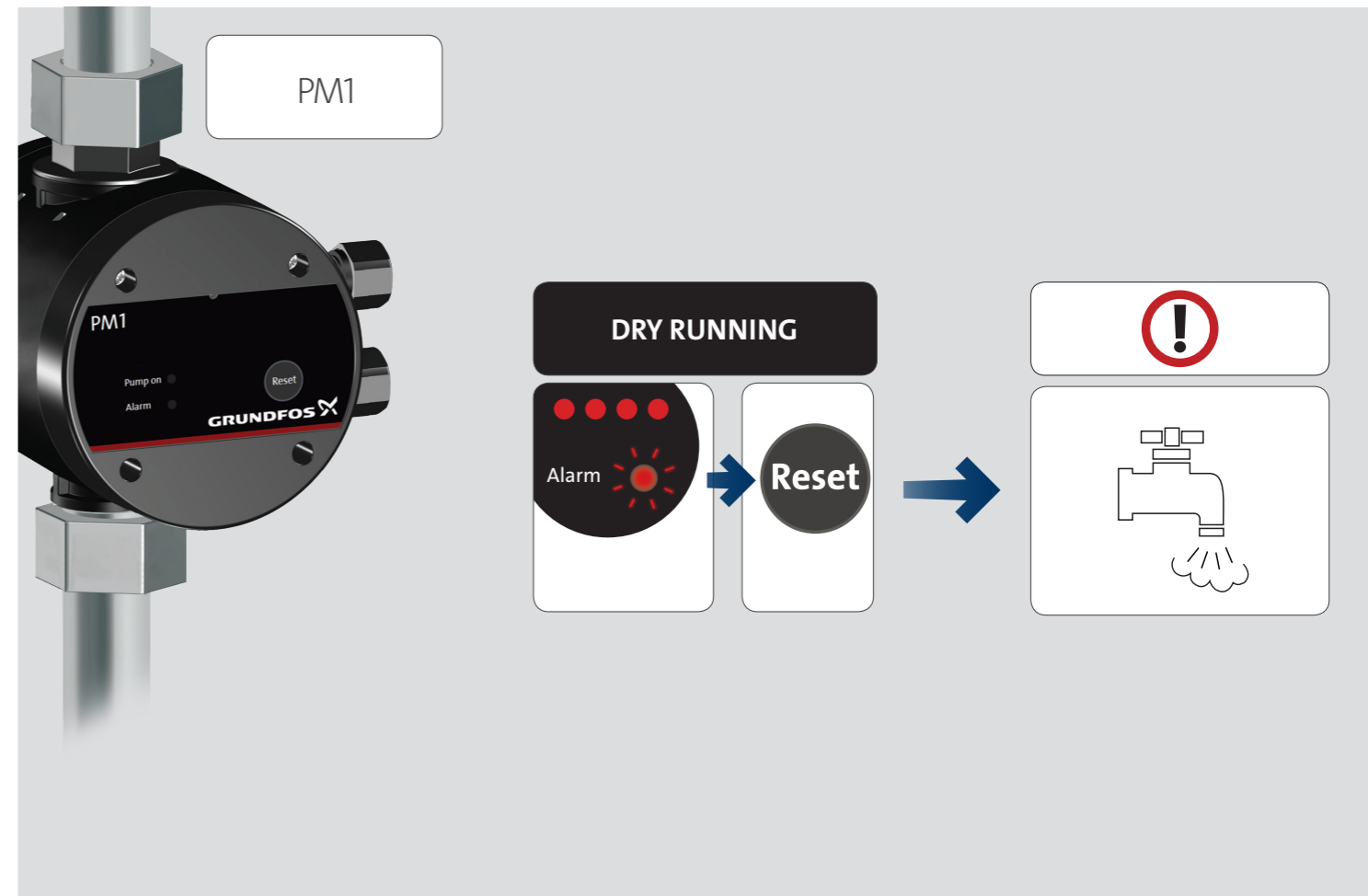
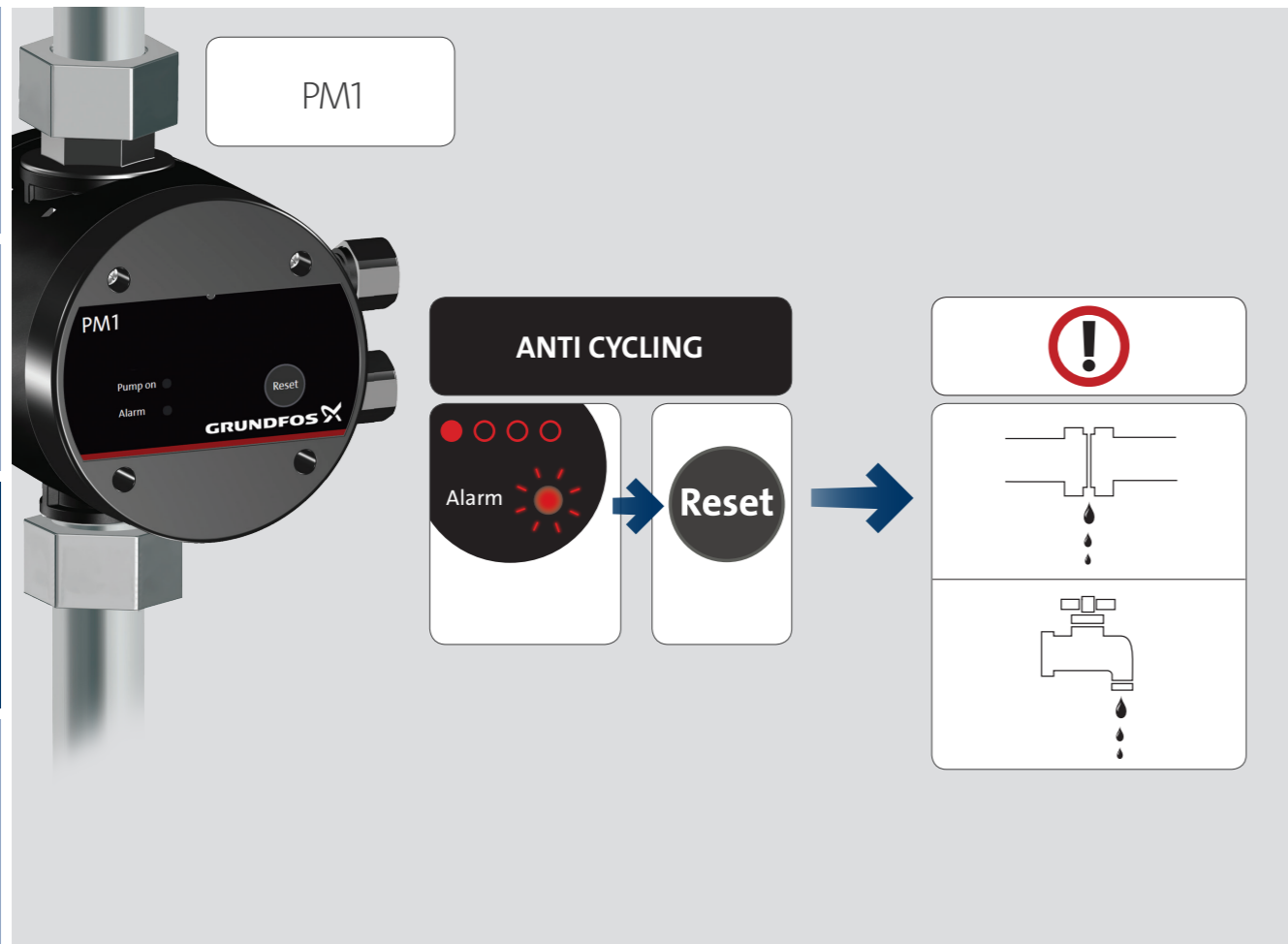


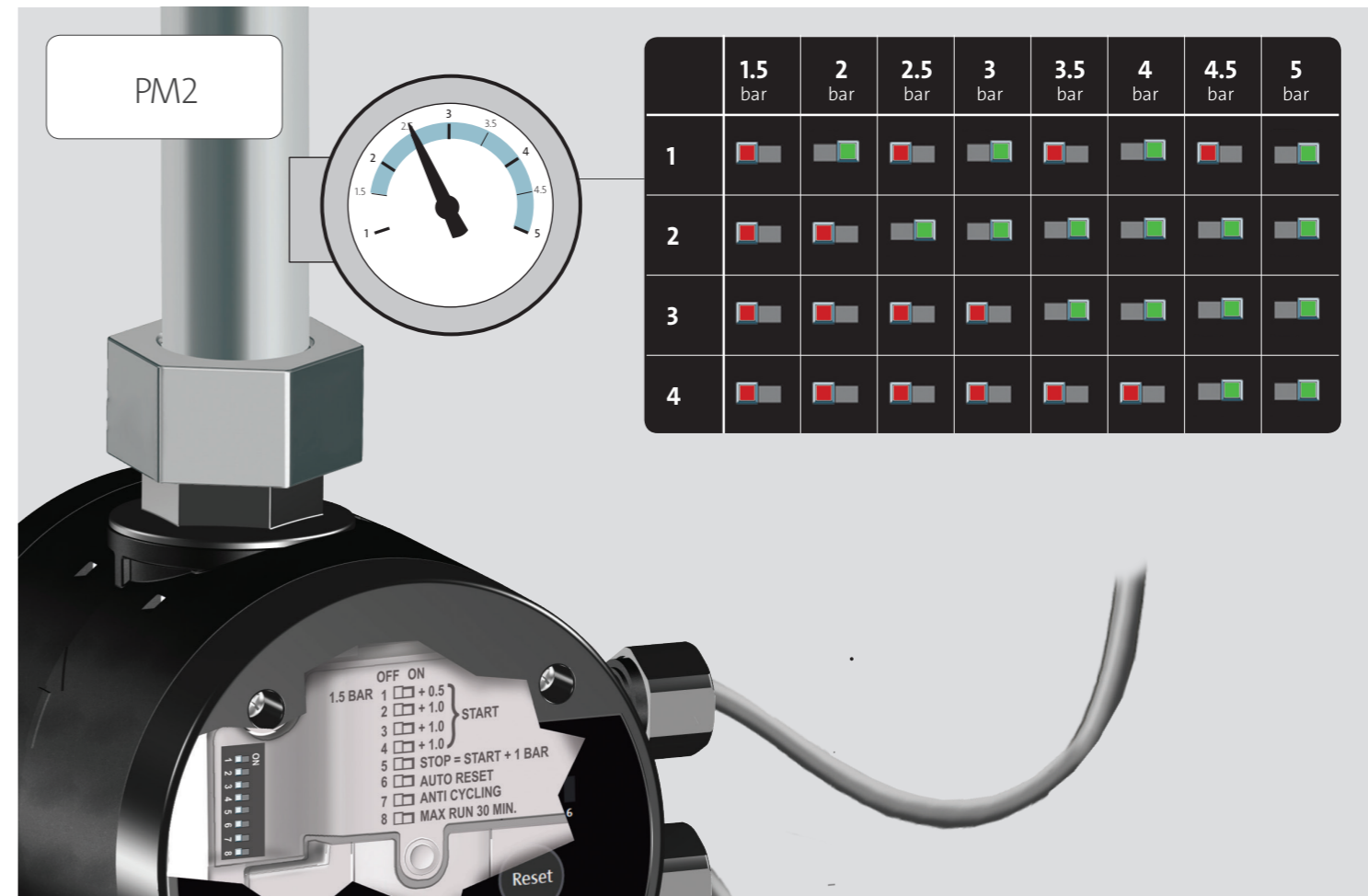
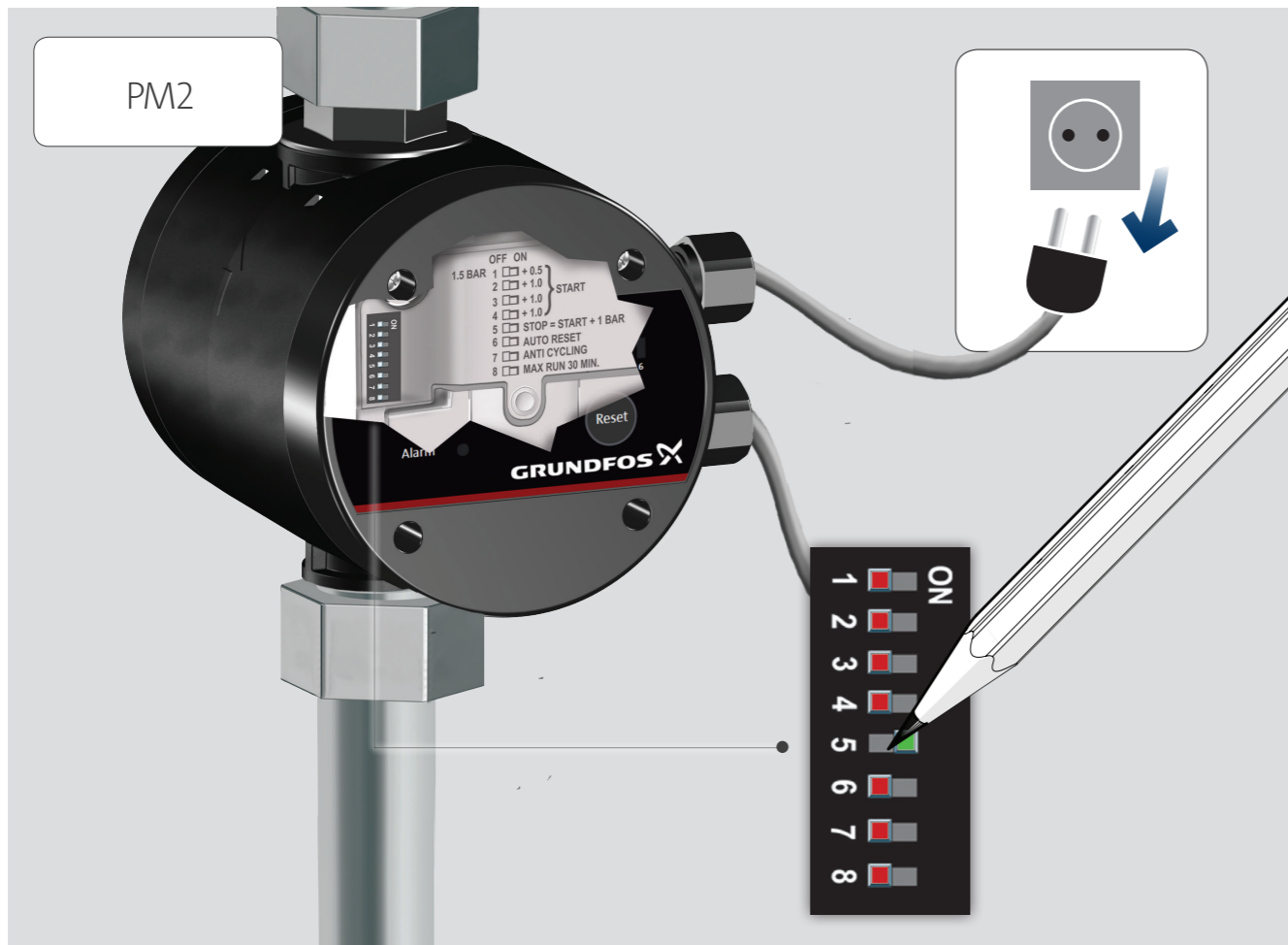


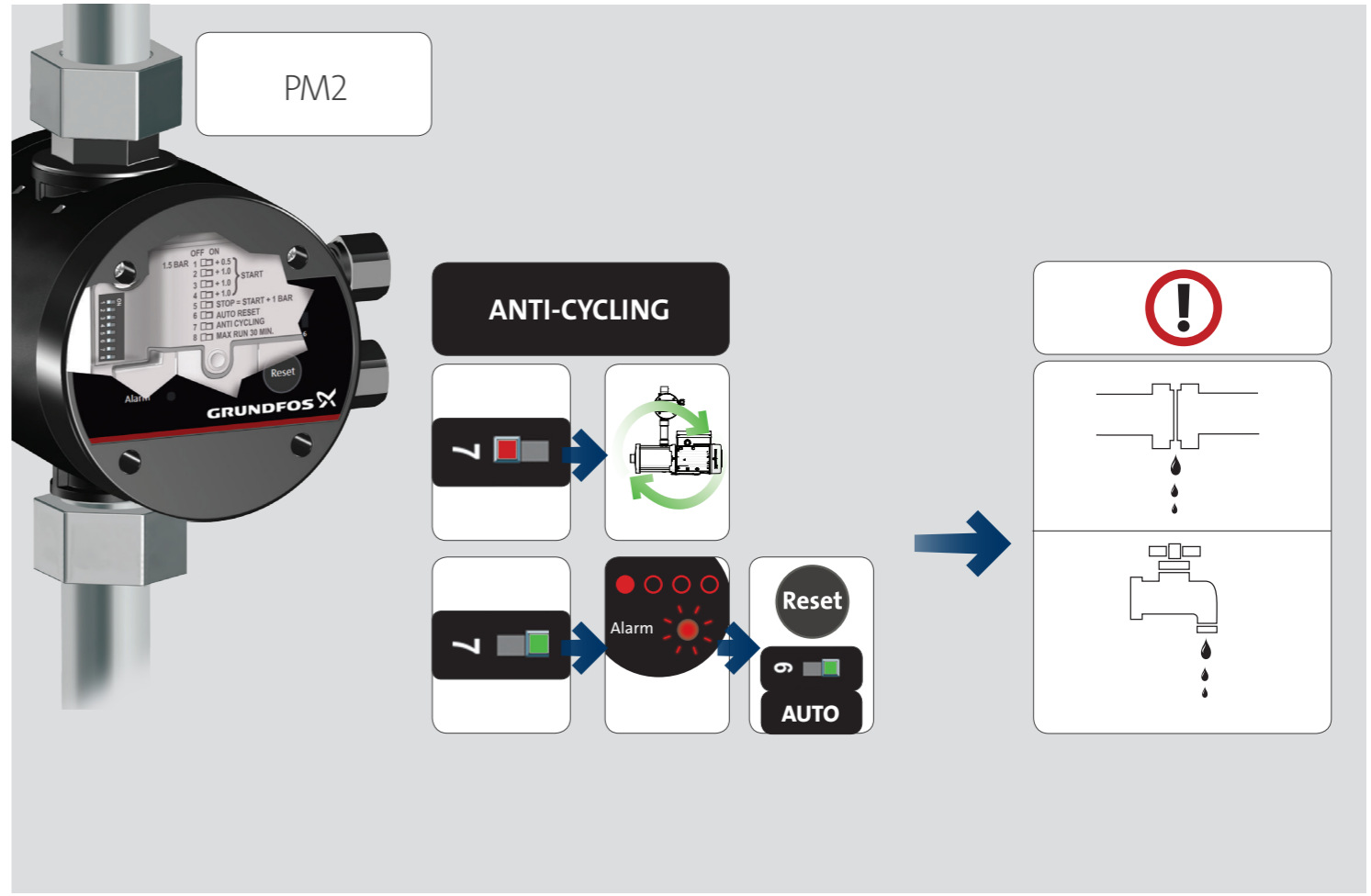
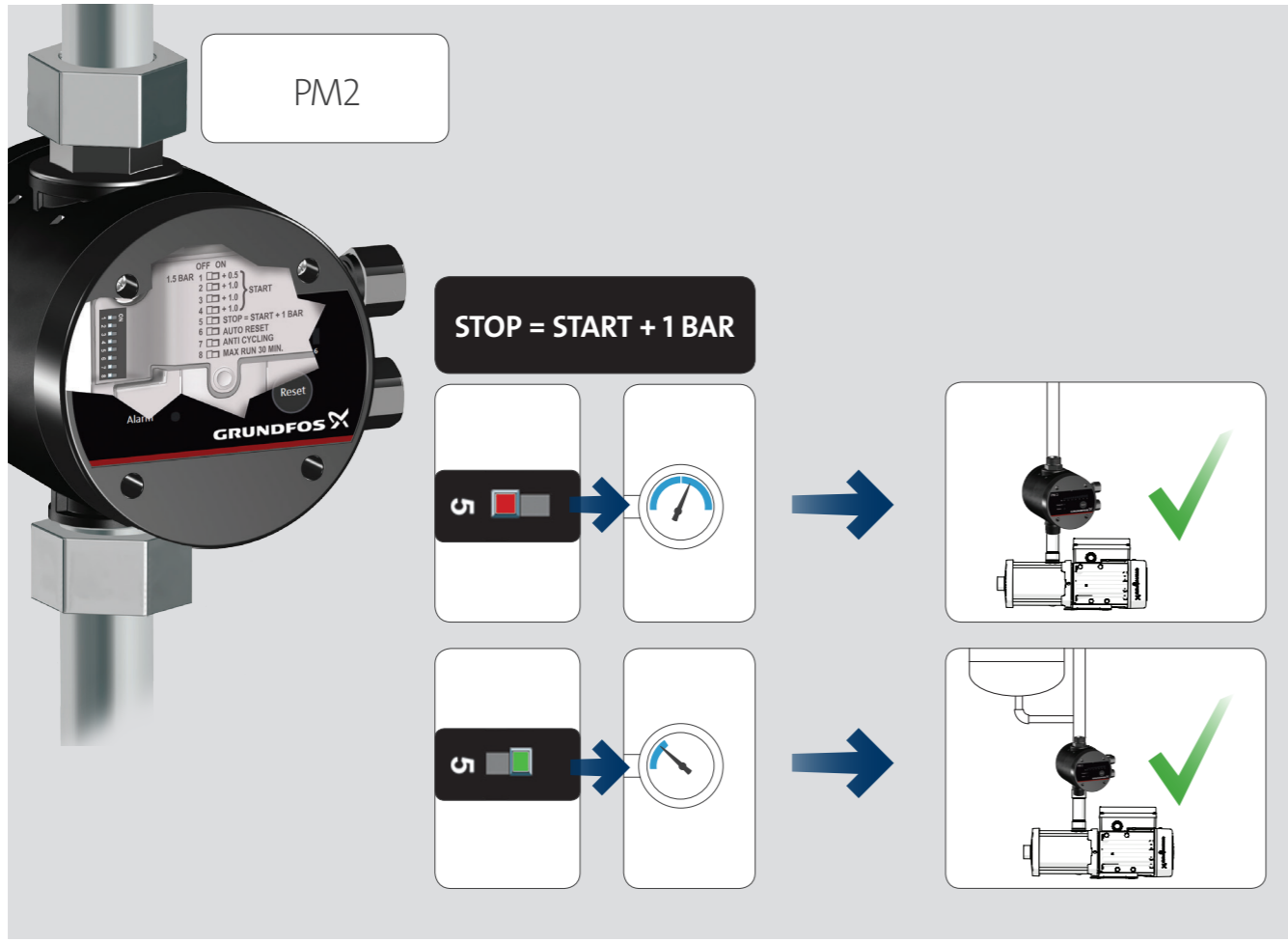
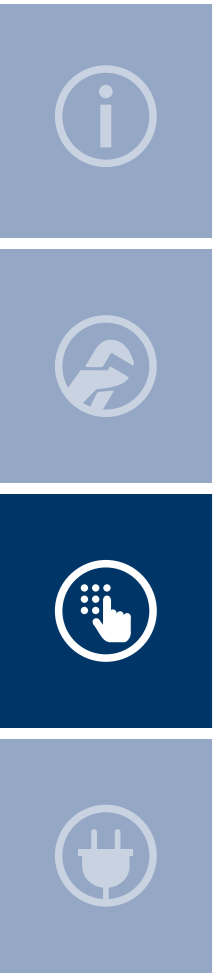


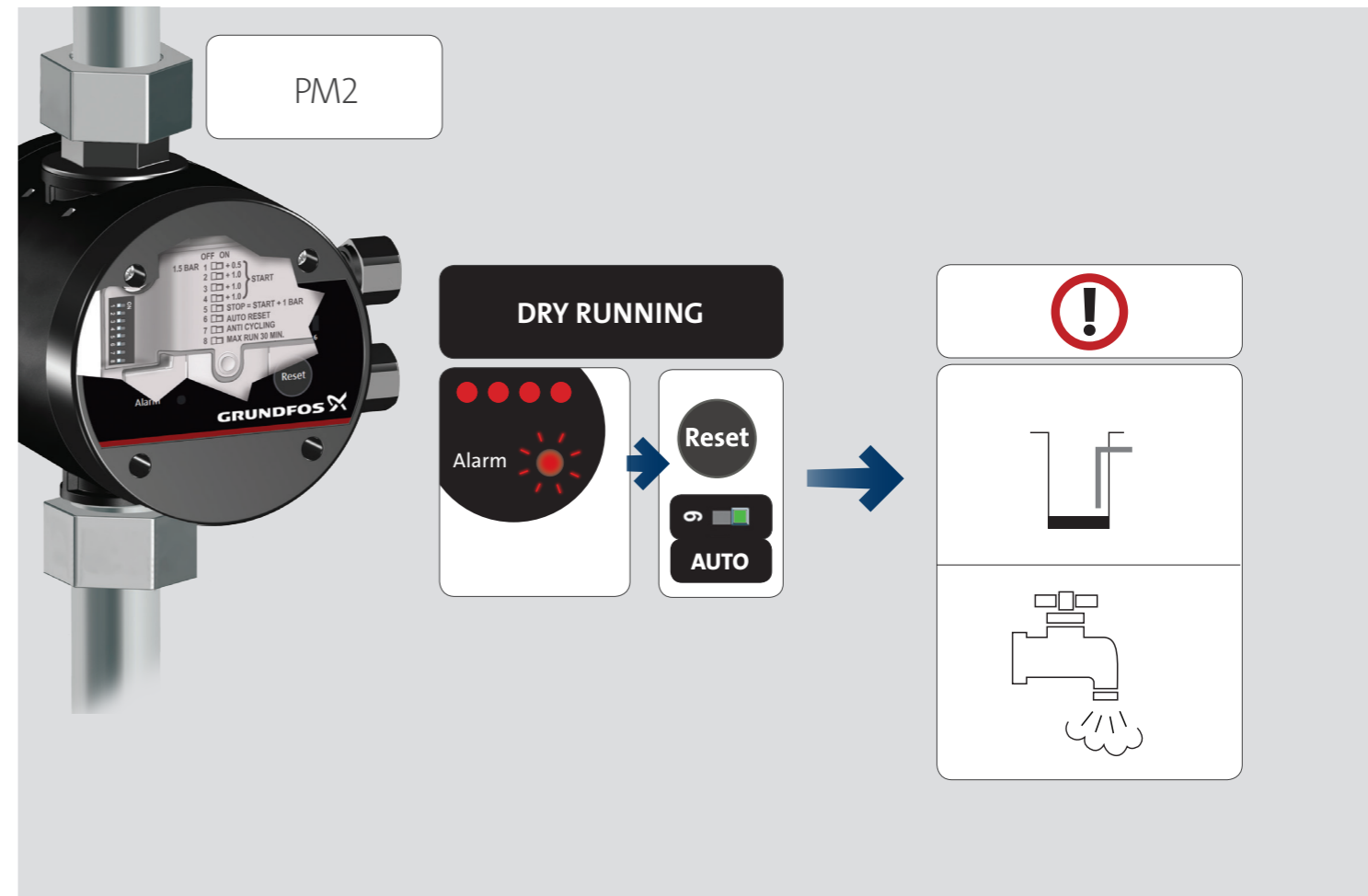
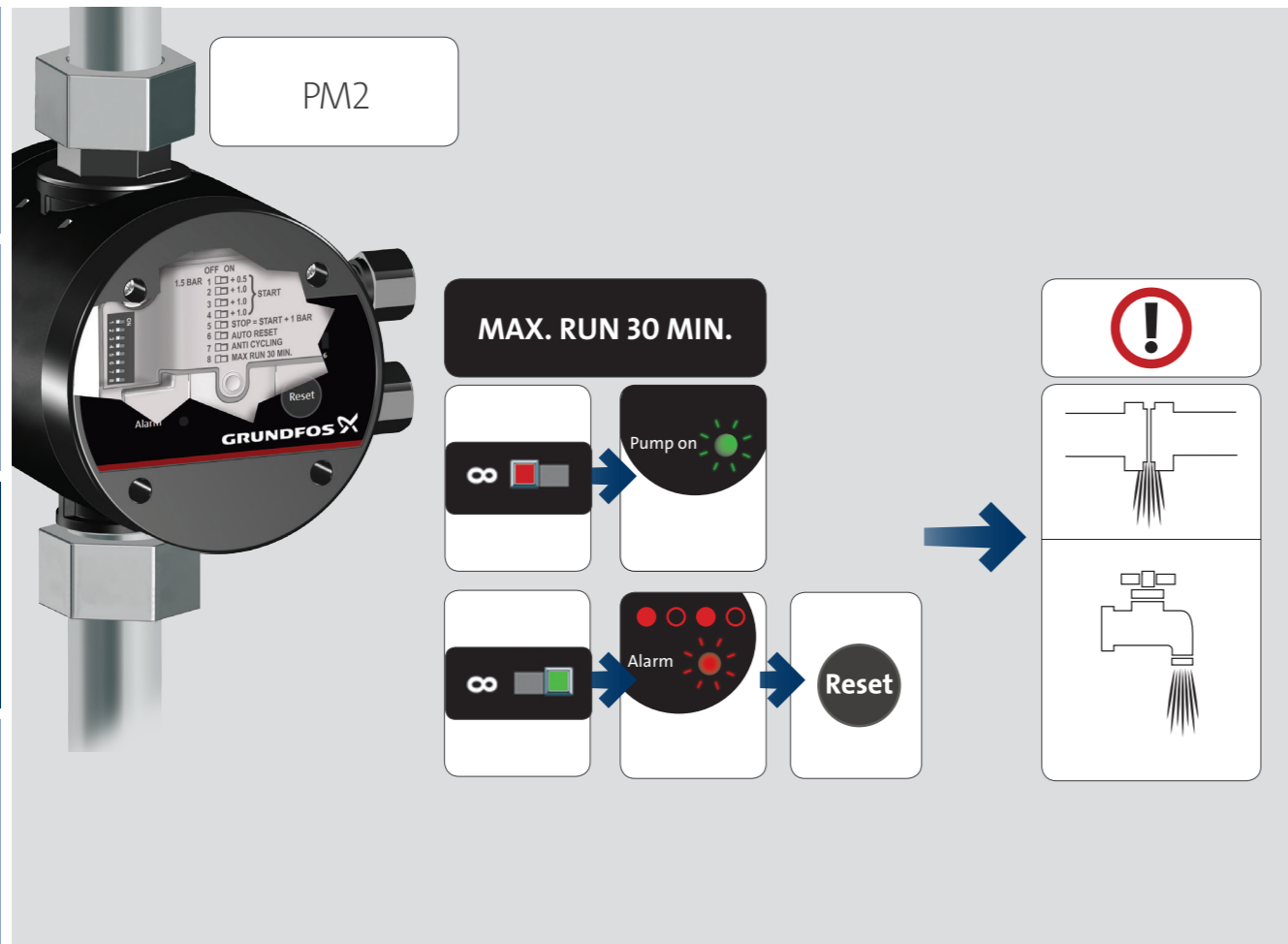


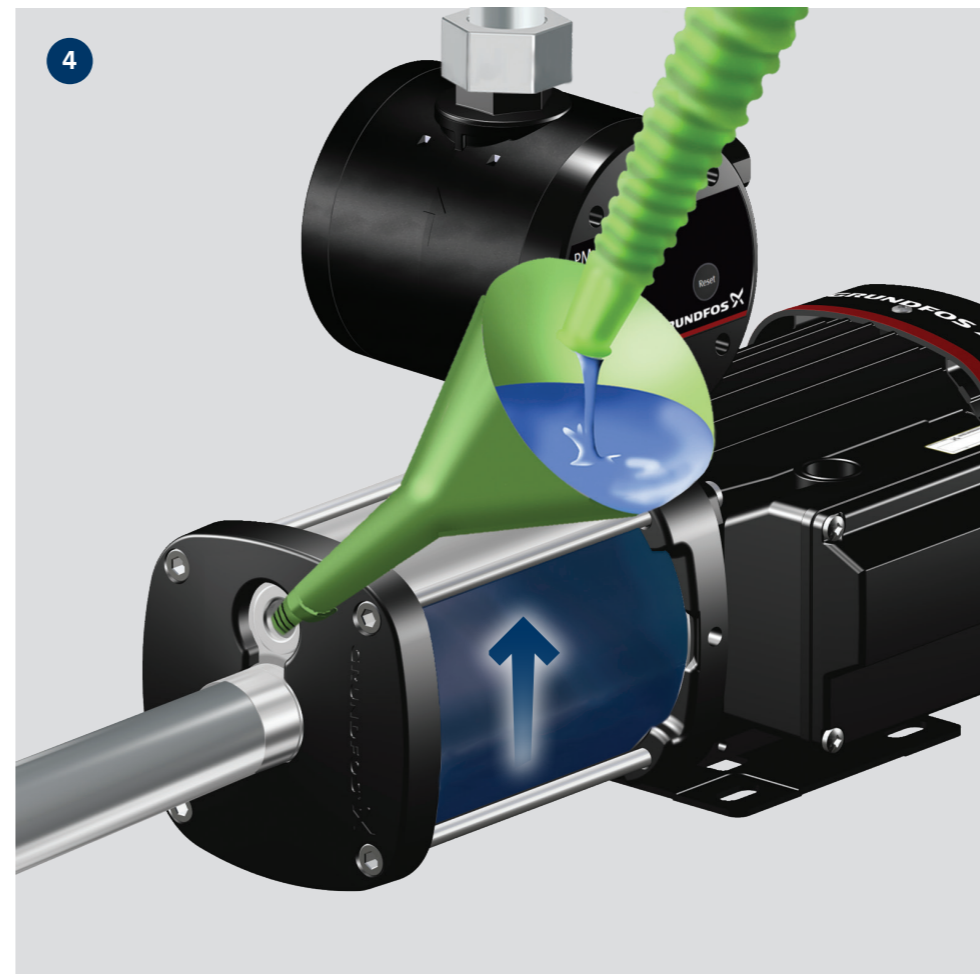
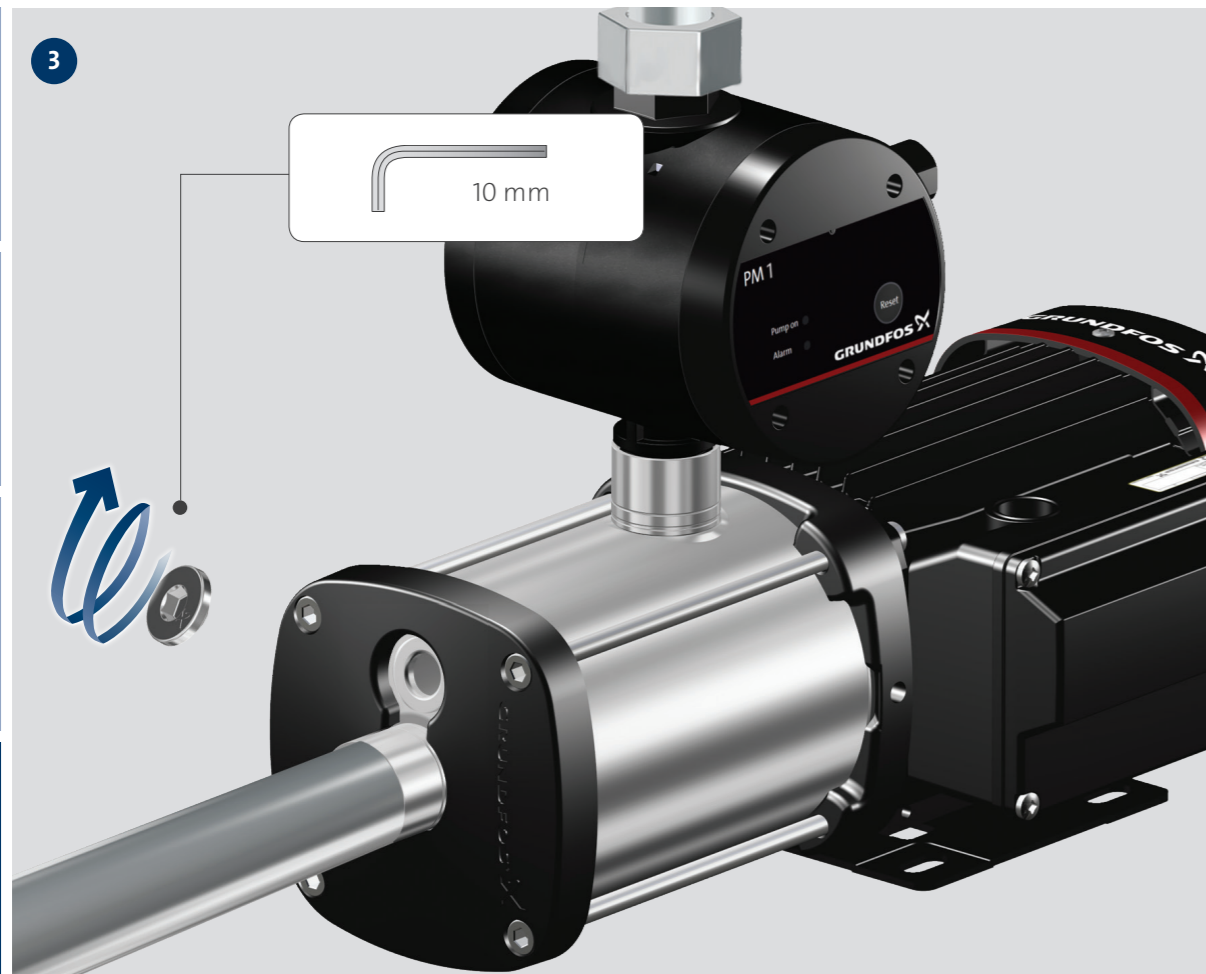


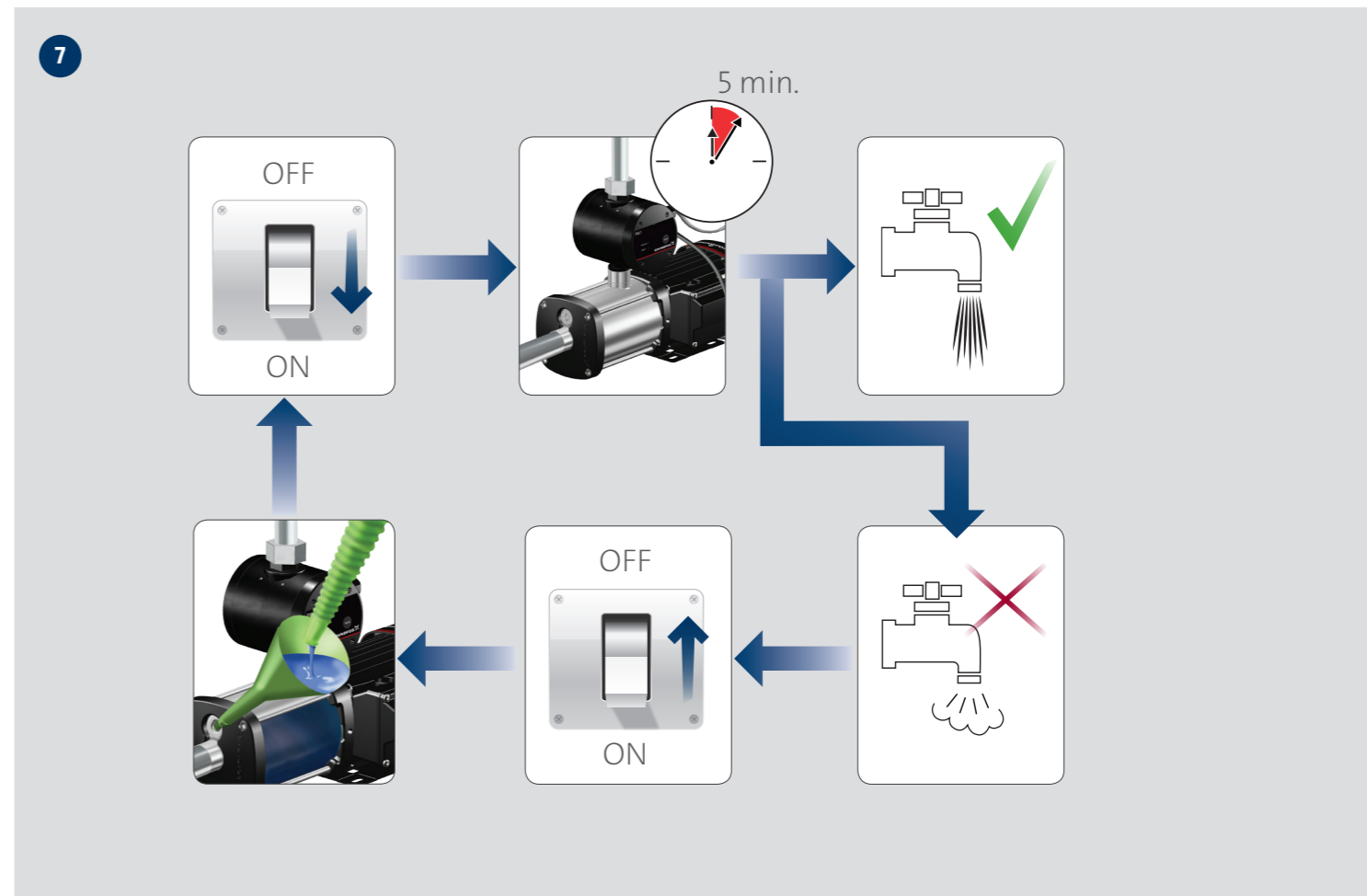
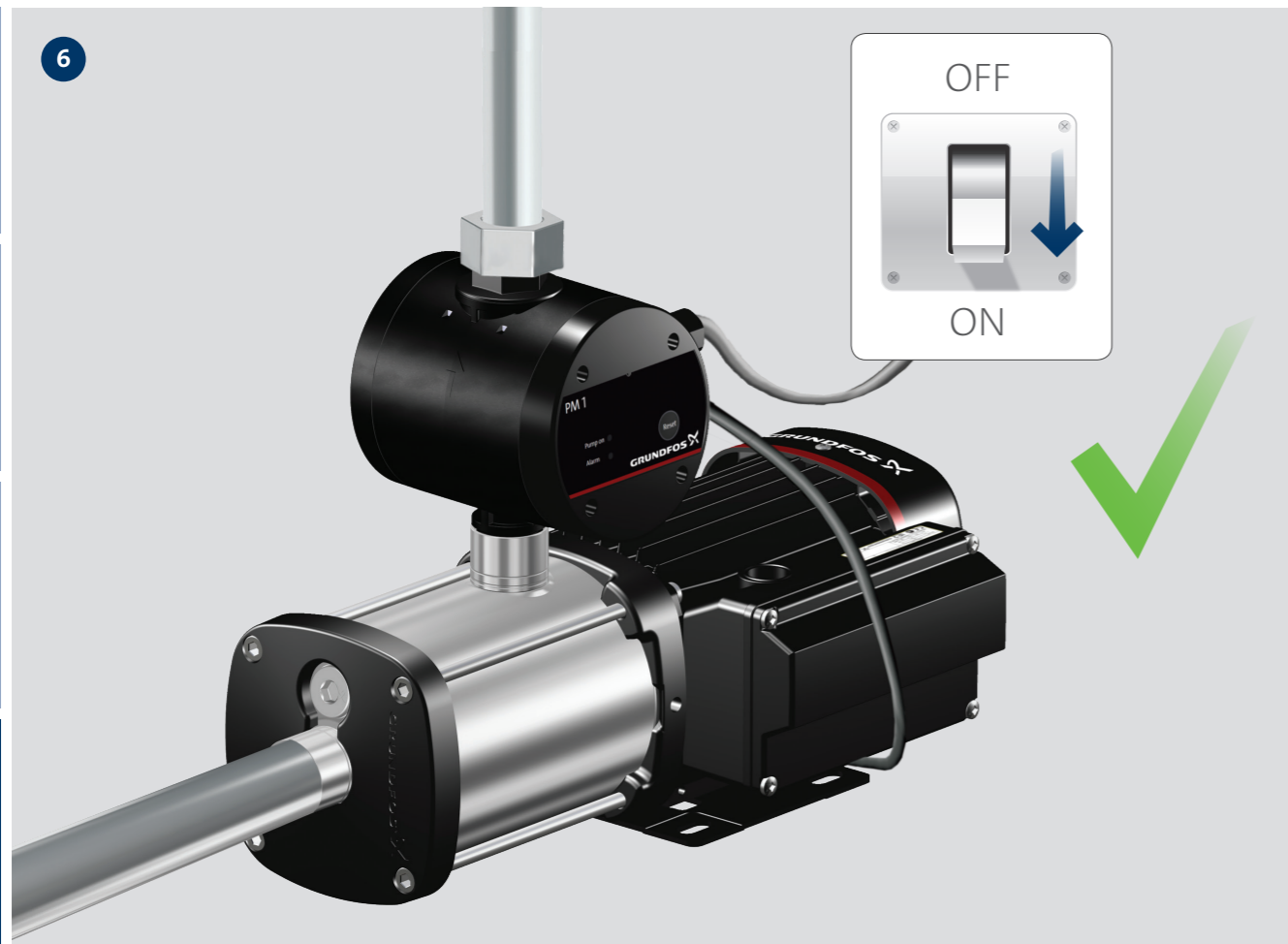












be think innovate

98484490 0214

ECM: 1130473

GRUNDFOS Holding A/S
Poul Due Jensens Vej 7
DK-8850 Bjerringbro
Tel: +45 87 50 14 00
www.grundfos.com

Pumpland.ru

GRUNDFOS 

The name Grundfos, the Grundfos logo, and be think innovate are registered trademarks owned by Grundfos Holding A/S or Grundfos A/S, Denmark. All rights reserved worldwide.