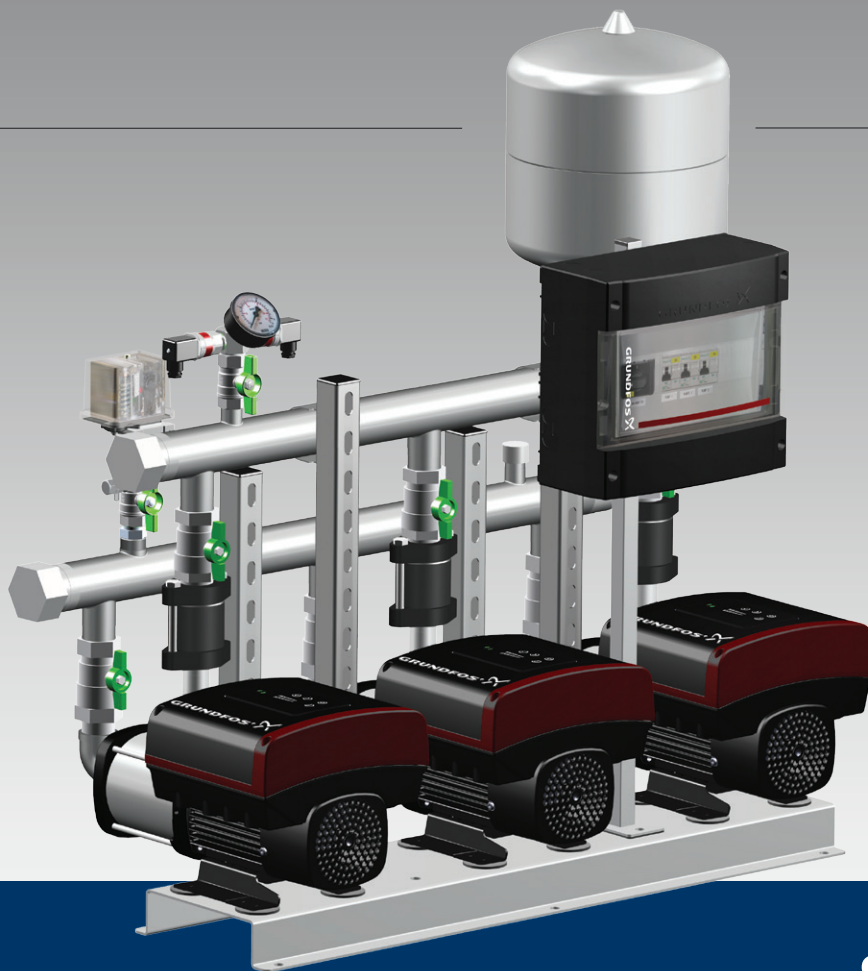


GRUNDFOS INSTRUCTIONS

# Hydro Multi-E

CME

 GRUNDFOS  
PRESSURE BOOSTING

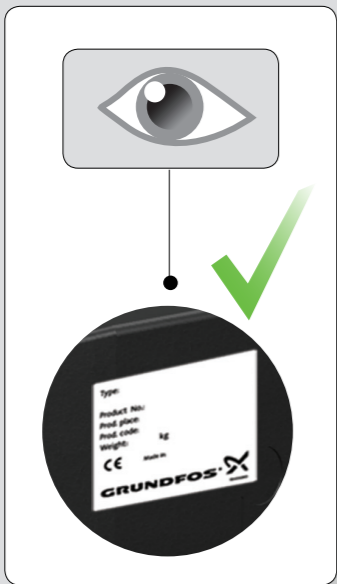


be think innovate

**GRUNDFOS** 

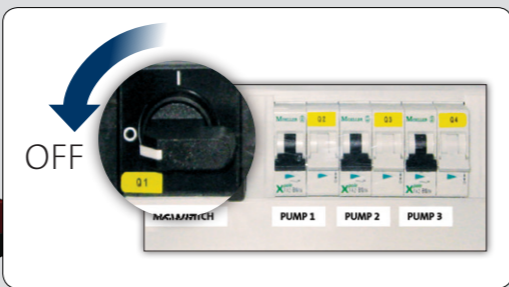


1

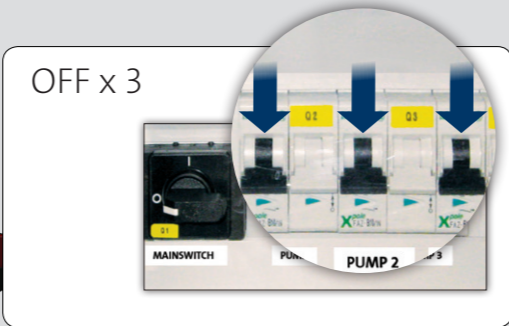


2

2



3



4

| Factory settings |              |
|------------------|--------------|
| Date             | Setting (SP) |
|                  |              |

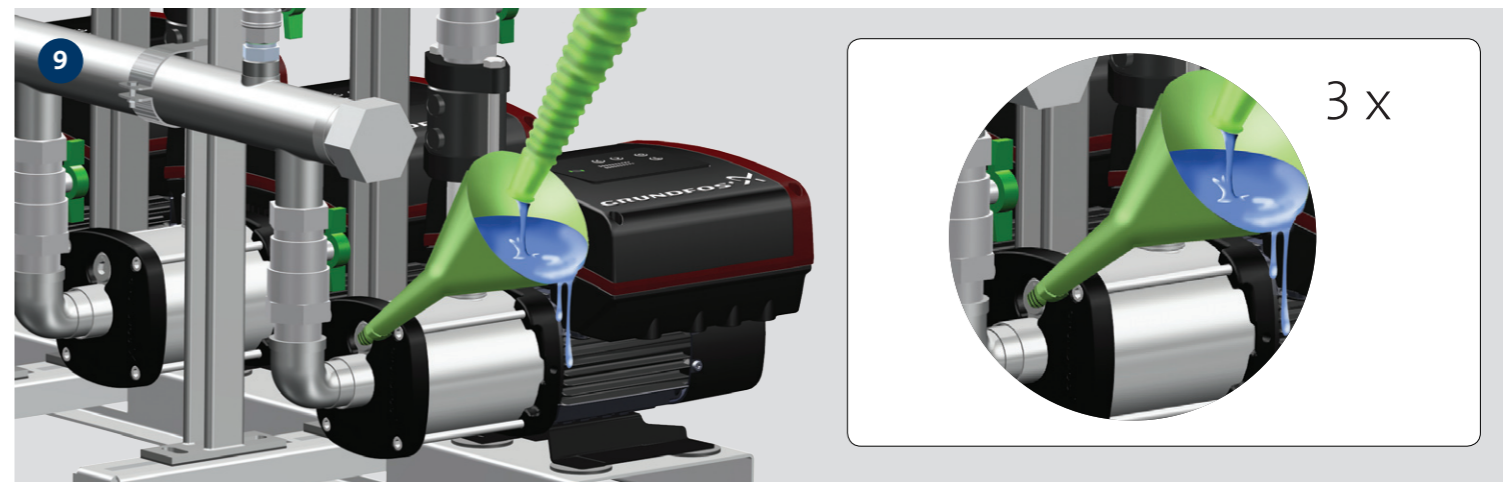
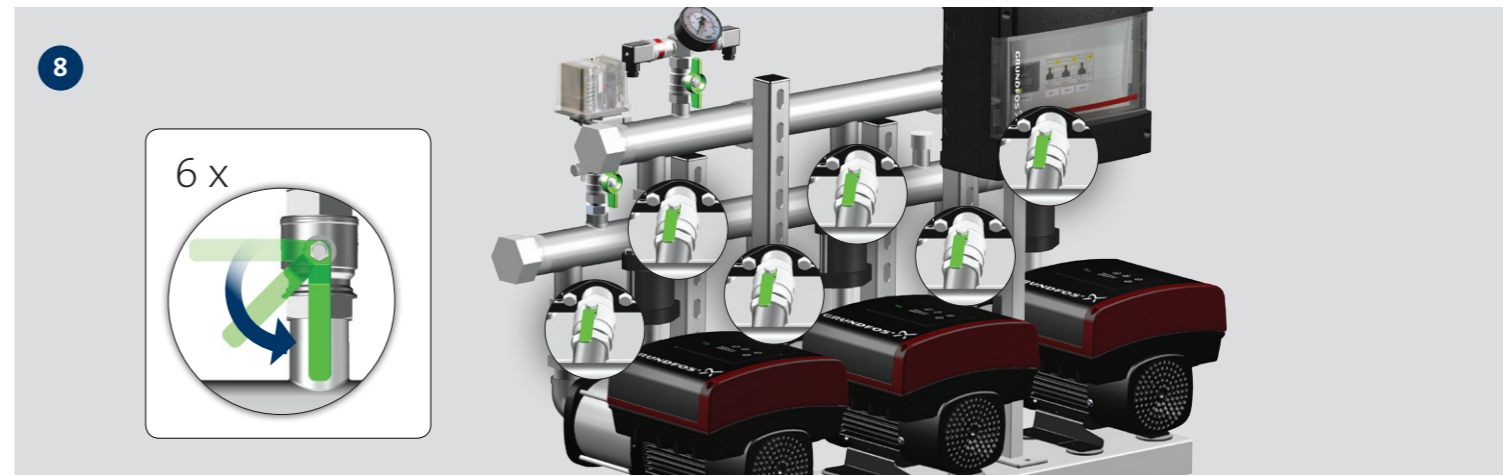
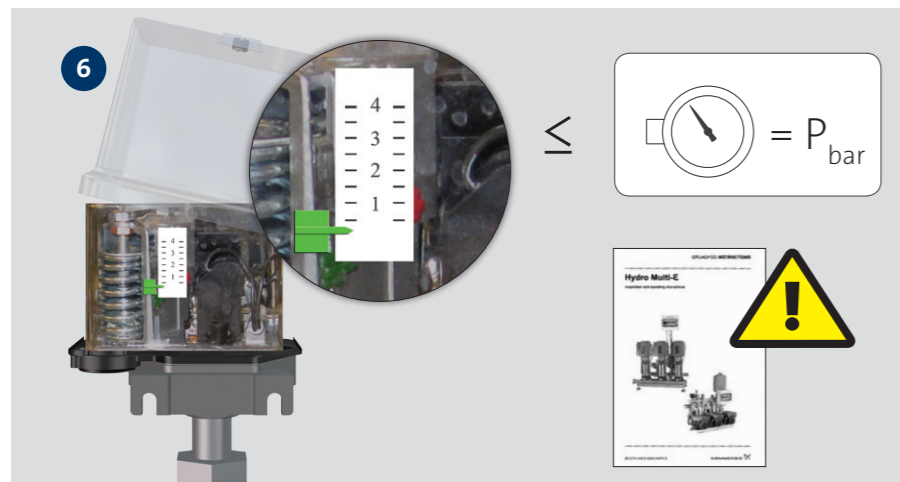
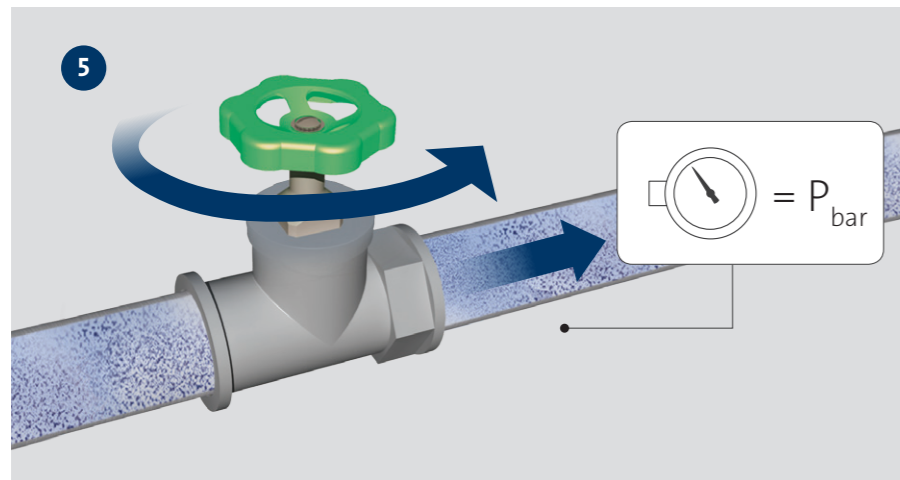
| Customer settings |              |          |
|-------------------|--------------|----------|
| Date              | Setting (SP) | Initials |
|                   |              |          |
|                   |              |          |
|                   |              |          |
|                   |              |          |
|                   |              |          |
|                   |              |          |
|                   |              |          |
|                   |              |          |
|                   |              |          |

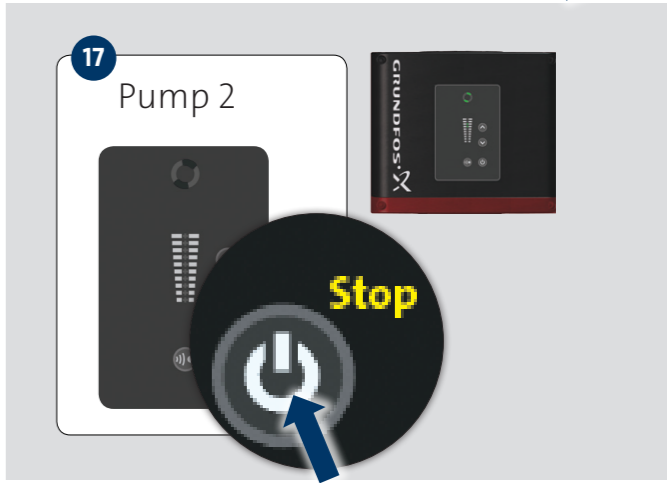
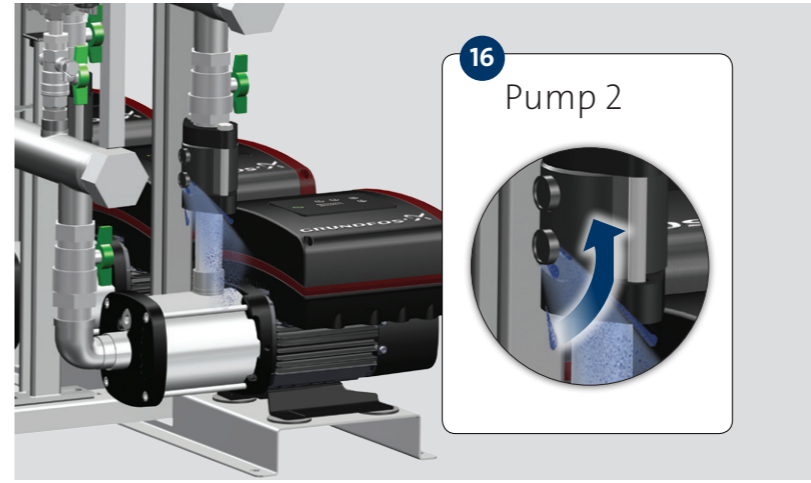
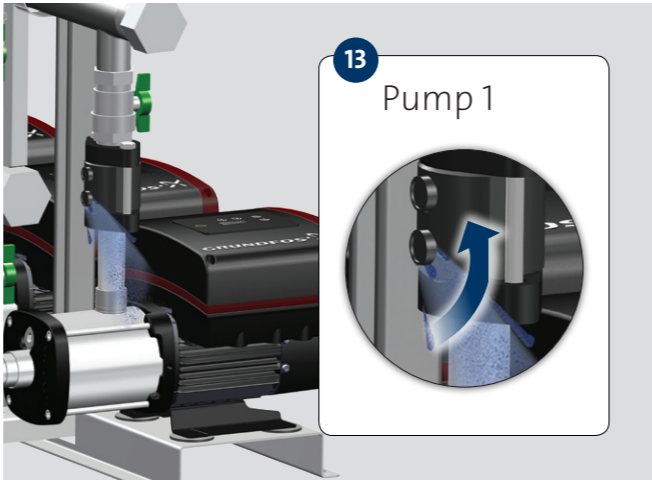
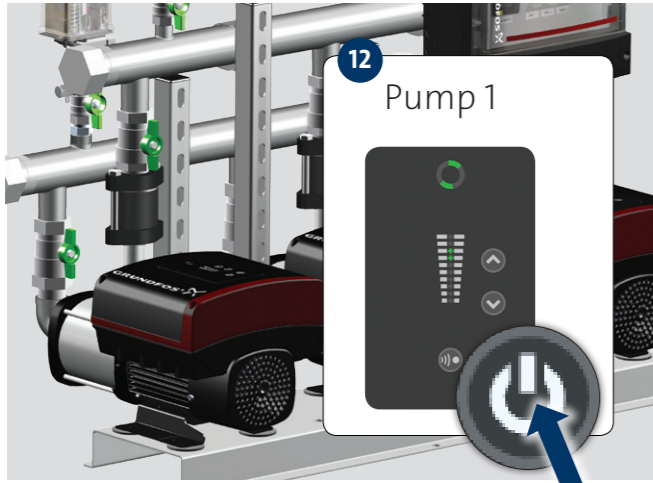
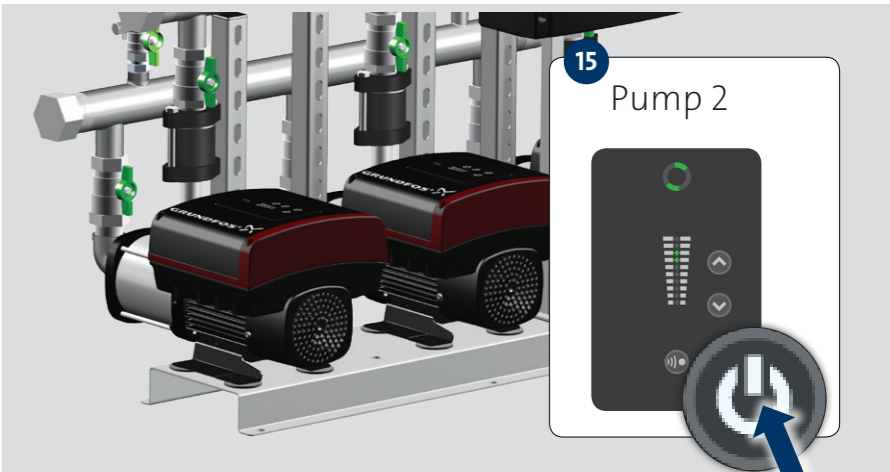
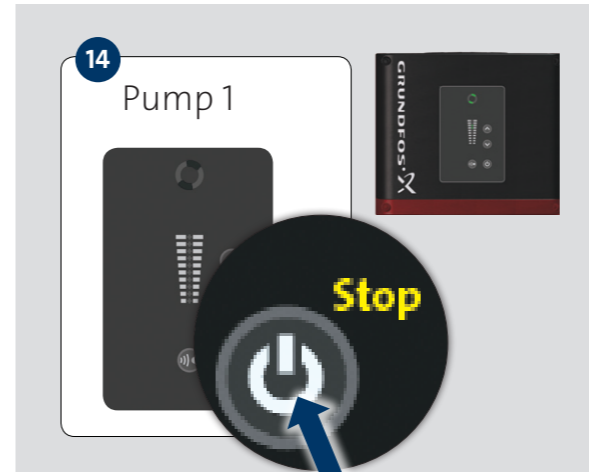
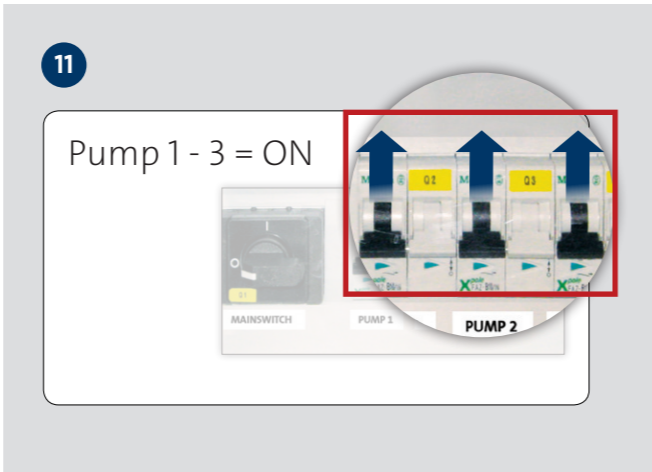
$P = 0.7 \times SP$

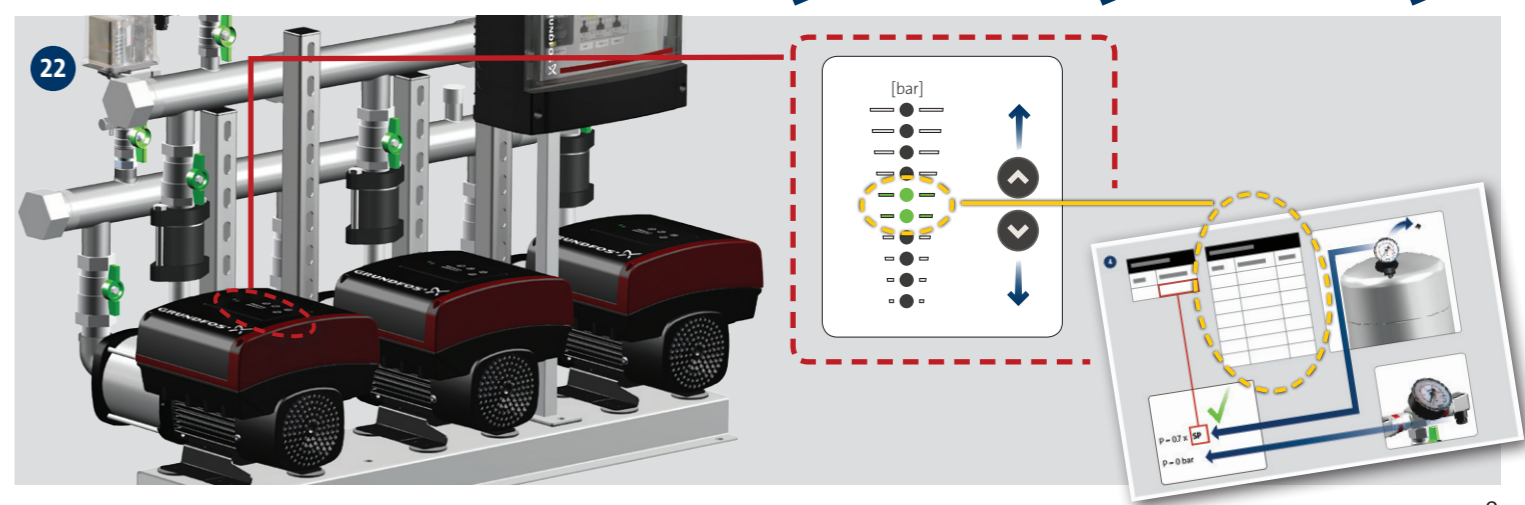
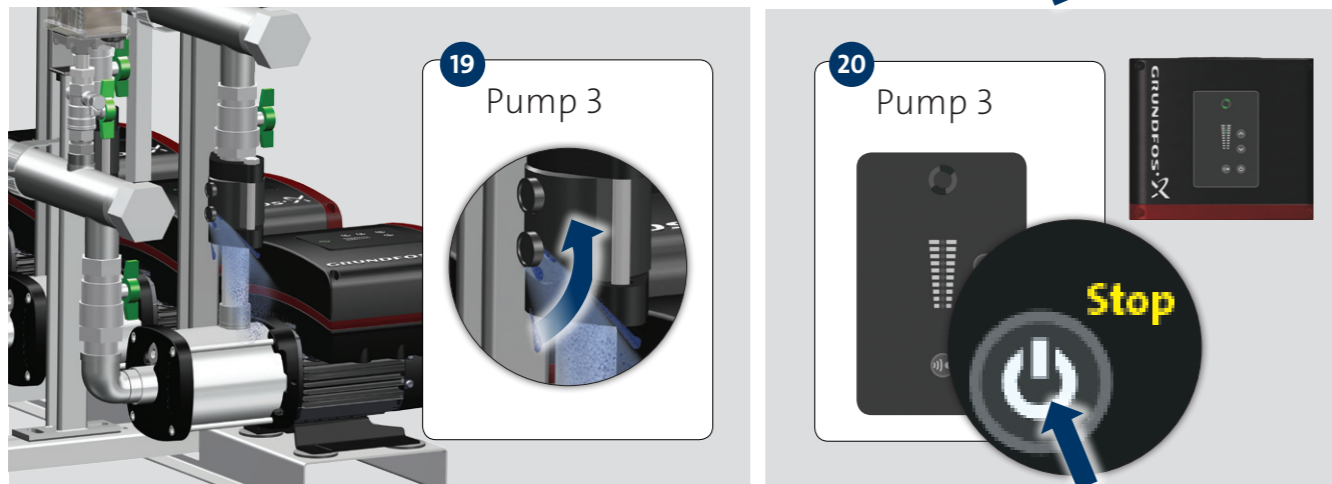
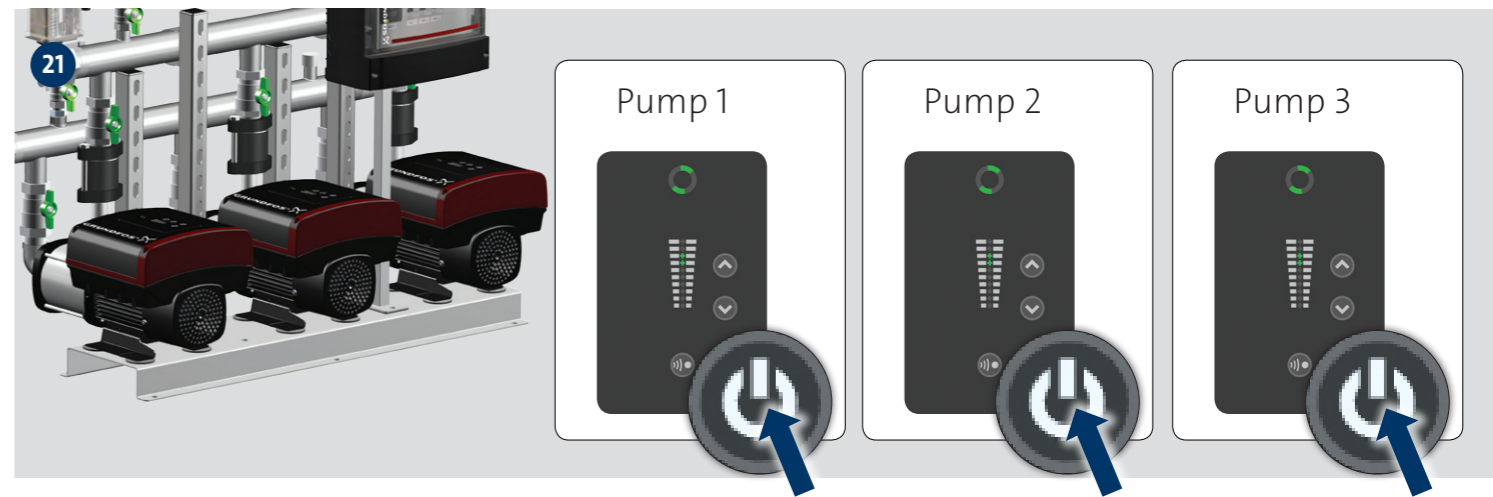
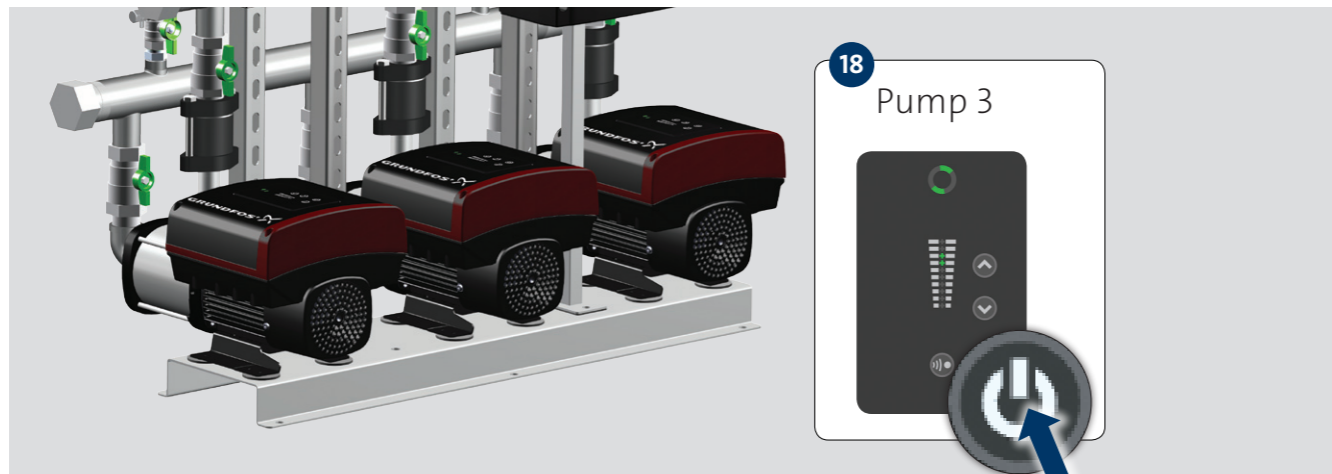
$P = 0 \text{ bar}$



3

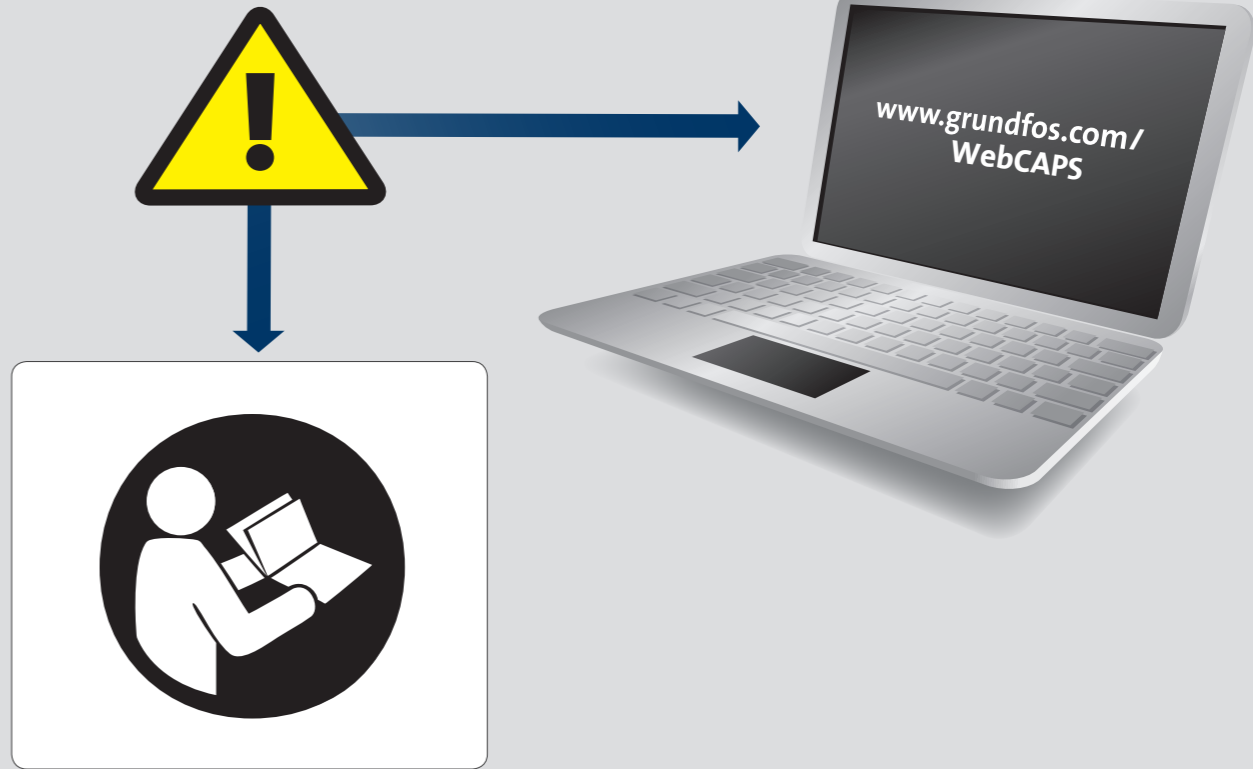
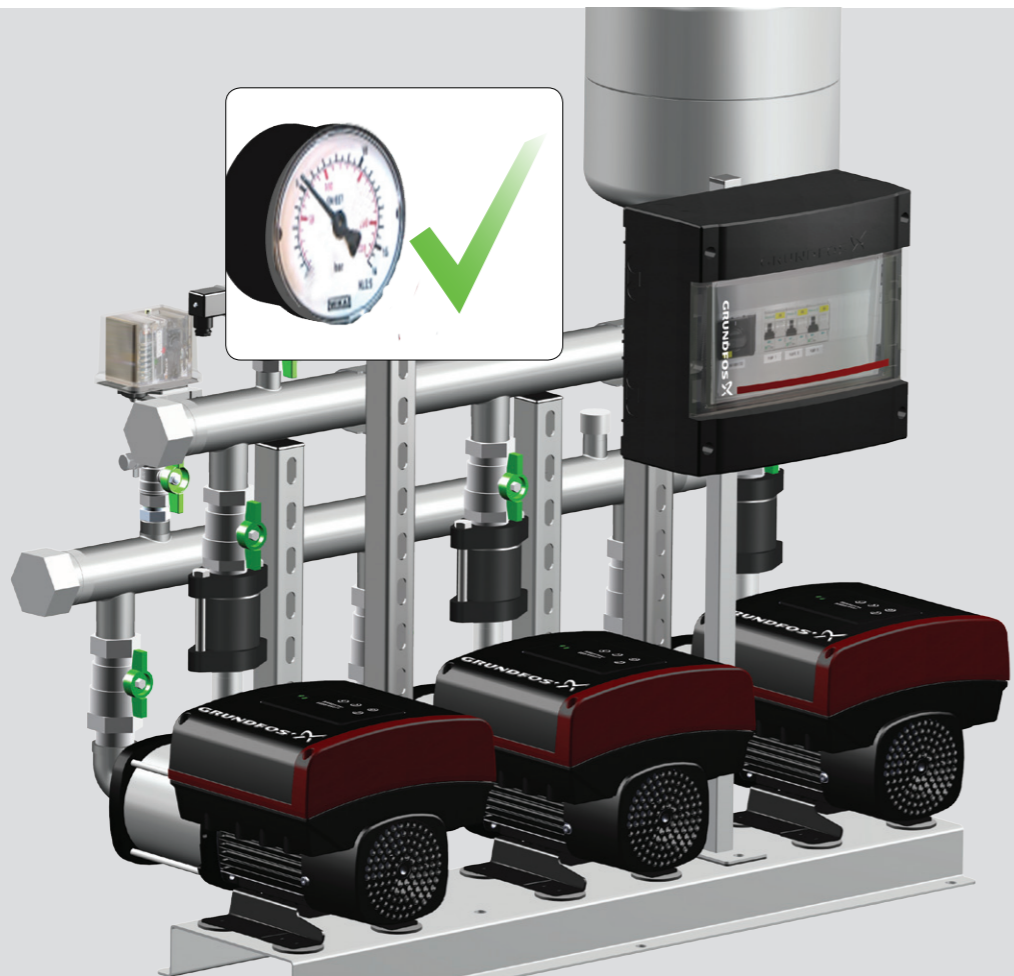








23



98477597 0813

ECM: 1117626

be think innovate

Pumpland.ru

**GRUNDFOS** 

The name Grundfos, the Grundfos logo, and the pumpffontank innovate, are registered trademarks owned by Grundfos Holding A/S or Grundfos A/S, Denmark. All rights reserved worldwide.