

14. CR Air-cooled top

50/60 Hz

CR, CRI, CRN 1, 3, 5

Connecting pipe

| Pos. | Description/ kit No | 96578704 | |
|------|---------------------|-------------------|---|
| 149 | 109a O-ring | EPDM | 1 |
| | | FXM | 1 |
| | 109b O-ring | FKM | 1 |
| | | - Connection pipe | - |

O-ring

| Pos. | Description/ kit No | FFKM | FXM |
|------|---------------------|----------|----------|
| | | 96533328 | 96463944 |
| 37a | O-ring | 2 | 2 |
| 38 | O-ring | 1 | 1 |
| 100 | O-ring | 2 | 2 |
| 109a | O-ring | 1 | - |
| | O-ring | - | 1 |

Sealing

| Pos. | Description/ kit No | 96533329 | |
|------|---------------------|----------|---|
| 37a | O-ring | FXM | 2 |
| 37b | O-ring | EPDM | 1 |
| 38 | O-ring | FXM | 1 |
| 100 | O-ring | EPDM | 2 |
| 100a | O-ring | EPDM | 2 |
| | | FXM | 2 |
| 109a | O-ring | FKM | 1 |
| 109b | O-ring | EPDM | 1 |

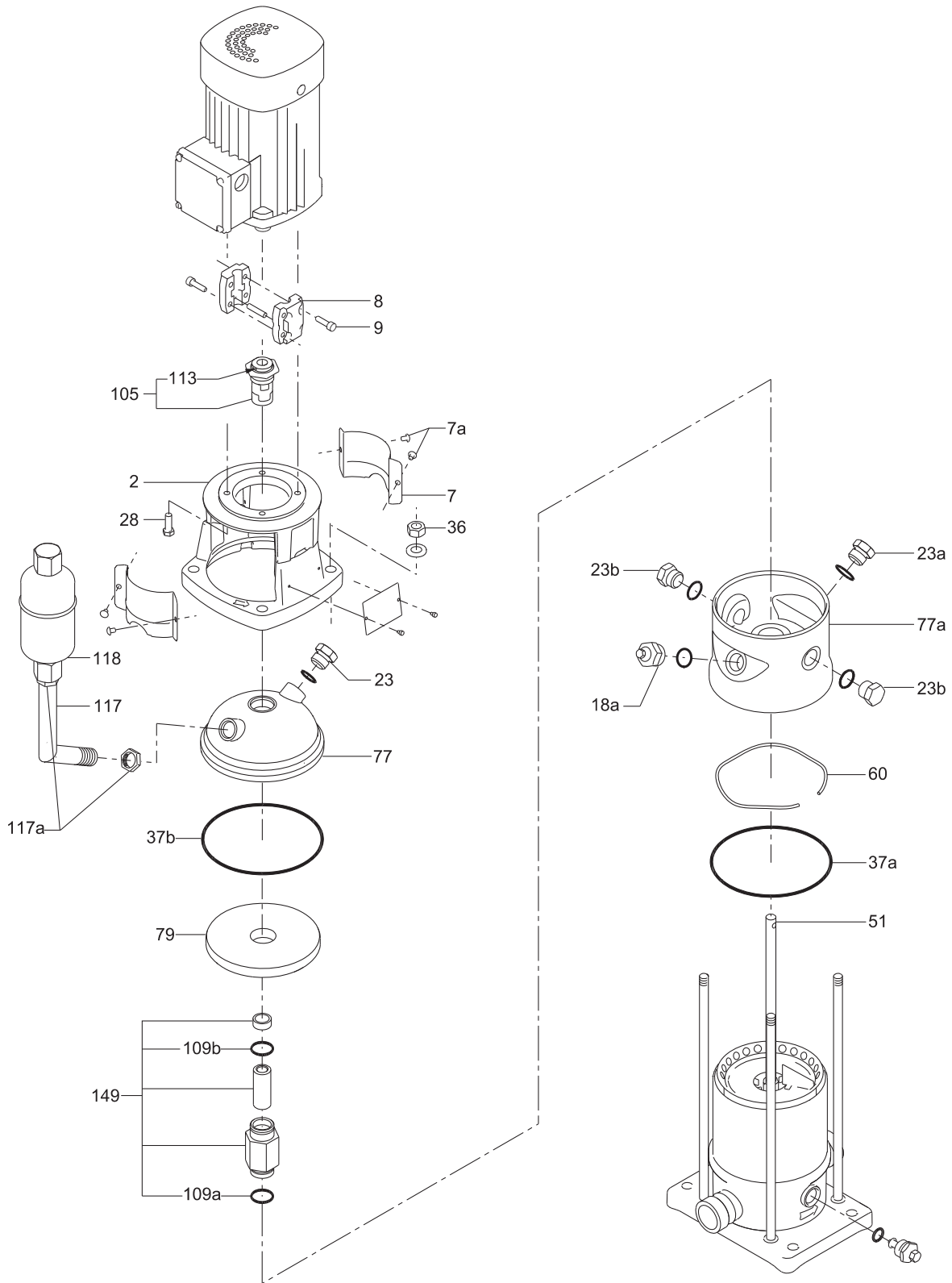
Shaft seal

| Type | Kit No |
|------|----------|
| HUBK | 96533322 |
| HUBF | 96533323 |
| HUUK | 96533324 |
| HUUF | 96533325 |
| HQQK | 96533326 |
| HQQF | 96533327 |
| HQBK | 96491375 |

Content

| Pos. | Description | Quantity |
|------|-------------|----------|
| 105 | Shaft seal | 1 |

CR, CRI, CRN 1, 3, 5, air-cooled top



TM02 1518 1301

CR, CRI, CRN 10, 15, 20

O-ring

| Pos. | Description Kit No | FFKM | FXM |
|------|-----------------------|----------|----------|
| | | 96533374 | 96534871 |
| 37a | O-ring | 2 | 2 |
| 38 | O-ring | 1 | 1 |
| 38a | O-ring | 1 | 1 |
| 100 | O-ring | 2 | 2 |

O-ring

| Rubber type | Kit No |
|-------------|----------|
| EPDM | 96525419 |
| FKM | 96525431 |
| FXM/EPDM | 96525432 |

Content

| Pos. | Description | Quantity |
|------|----------------------|----------|
| 37a | O-ring | 2 |
| 37b | O-ring | 1 |
| 37c | O-ring | 1 |
| 38 | O-ring | 1 |
| 38a | O-ring | 1 |
| 39 | Gasket | |
| | oval flange CR 10 | 2 |
| | FGJ flange CR 10 | 2 |
| | FGJ flange CR 15, 20 | 2 |
| 60 | Rubber spring | 4 |
| 60a | Rubber spring | 4 |
| 100 | O-ring | 1 |
| 100a | O-ring | 2 |
| 109a | O-ring | 1 |

Shaft seal

| Type | Kit No |
|-------|----------|
| HQQE | 96511844 |
| HQQV | 96511845 |
| HQQK | 96511846 |
| HQQF | 96511847 |
| HUBK | 96511838 |
| HUUUV | 96511841 |
| HUUK | 96511842 |
| HUUF | 96511843 |

Content

| Pos. | Description | Quantity |
|------|----------------|----------|
| 105 | Shaft seal | 1 |
| - | Adjusting fork | 1 |

Wear parts CRI, CRN 10

| Pos. | Number of stages Description/ kit No | 1-8 | 9-14 | 16-22 |
|-------|---|----------|----------|----------|
| | | 96927653 | 96927678 | 96927679 |
| (4a) | Intermediate chamber cpl. w/ bearing | 1 | 2 | 3 |
| (26b) | Set screw | 2 | 2 | 2 |
| (26c) | Washer | 2 | 2 | 2 |
| (45) | Neck ring | 7 | 12 | 19 |
| (47a) | Bearing ring | 1 | 2 | 3 |
| (61) | Seal driver | 1 | 1 | 1 |
| (62) | Stop ring | 1 | 1 | 1 |
| (64a) | Spacer bush | 1 | 2 | 3 |
| (64d) | Spacer bush | 1 | 2 | 3 |
| (64c) | Spacer, lower | 1 | 1 | 1 |
| (65) | Upper seal ring | - | - | 19 |
| (66) | Lock washer | 1 | 1 | 1 |
| (67) | Lock nut | 1 | 1 | 1 |

Wear parts CRI, CRN 10, Low NPSH

| Pos. | Number of stages Description/ kit No | 2-7 | 8-15 | 16-21 |
|-------|---|----------|----------|----------|
| | | 96931050 | 96931051 | 96931082 |
| (4a) | Intermediate chamber cpl. w/ bearing | 1 | 2 | 3 |
| (26b) | Set screw | 2 | 2 | 2 |
| (26c) | Washer | 2 | 2 | 2 |
| (45) | Neck ring | 6 | 14 | 18 |
| (47a) | Bearing ring | 1 | 2 | 3 |
| (61) | Seal driver | 1 | 1 | 1 |
| (62) | Stop ring | 1 | 1 | 1 |
| (64a) | Spacer bush | 1 | 2 | 3 |
| (64d) | Spacer bush | 1 | 2 | 3 |
| (64b) | Spacing bush | 1 | 1 | 1 |
| (49c) | Impeller wear ring | 1 | 1 | 1 |
| (64c) | Spacer, lower | 1 | 1 | 1 |
| (65) | Upper seal ring | 6 | 14 | 18 |
| (66) | Lock washer | 1 | 1 | 1 |
| (67) | Lock nut | 1 | 1 | 1 |

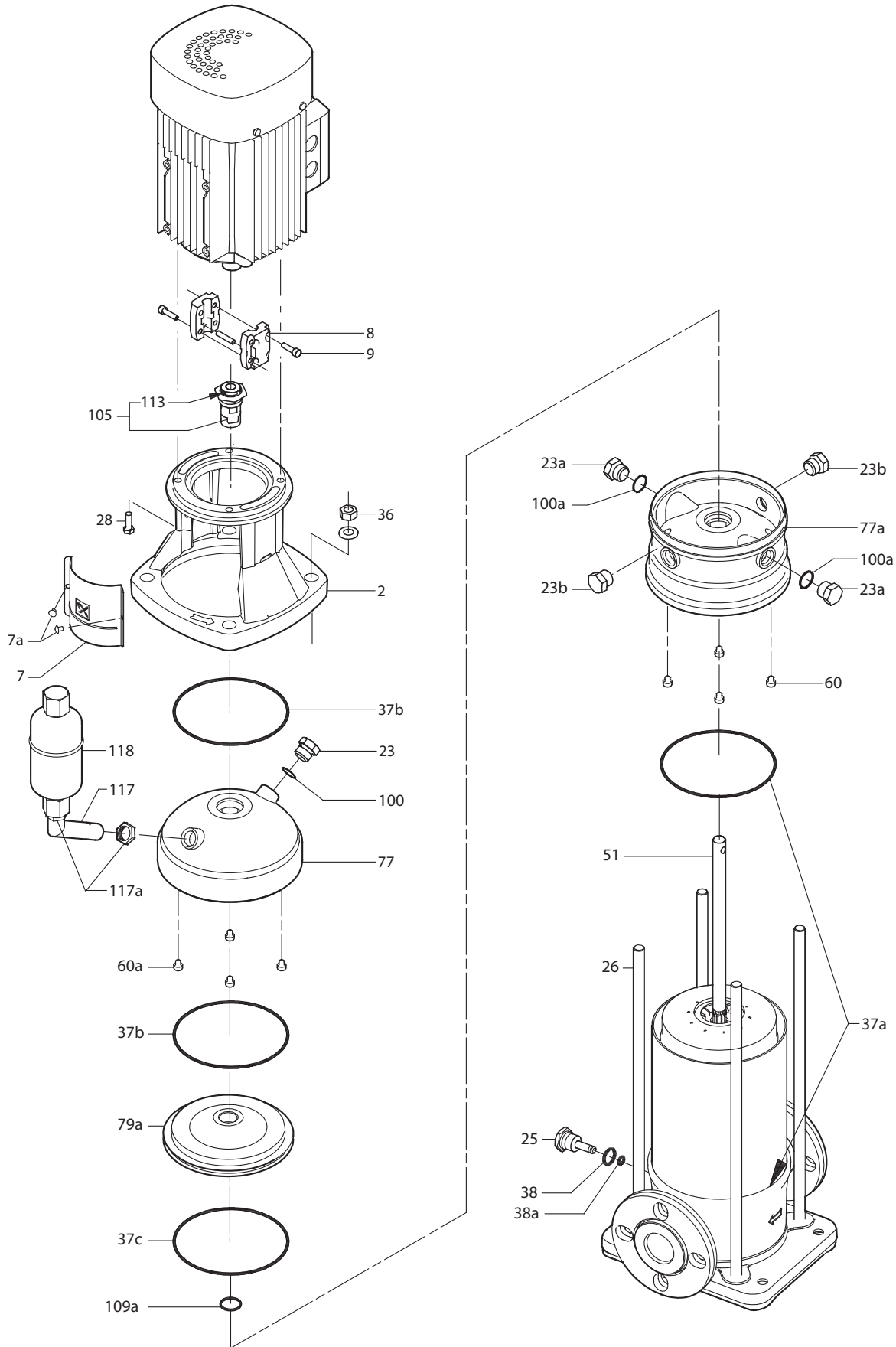
Wear parts CRI, CRN 15, 20

| Pos. | Number of stages Description/ kit No | 1 | 2-6 | 7-10 | 12-17 |
|-------|--|----------|----------|----------|----------|
| | | 96928334 | 96928375 | 96928377 | 96928380 |
| (4a) | Intermediate chamber cpl. w/ bearing | 1 | 1 | 2 | 3 |
| (26b) | Set screw | 2 | 2 | 2 | 2 |
| (26c) | Washer | 2 | 2 | 2 | 2 |
| (45) | Neck ring | 1 | 5 | 8 | 14 |
| (47a) | Bearing ring | 1 | 1 | 2 | 3 |
| (49c) | Impeller wear ring | 1 | 6 | 10 | 17 |
| (61) | Seal driver | 1 | 1 | 1 | 1 |
| (62) | Stop ring | 1 | 1 | 1 | 1 |
| (64a) | Spacing bush | - | - | 2 | 3 |
| | Spacing bush | 1 | - | - | - |
| (64b) | Spacing bush | 1 | 1 | 1 | 1 |
| (64c) | Spacer, lower | 1 | 1 | 1 | 1 |
| (64d) | Spacing bush | 1 | 1 | 2 | 3 |
| (65) | Upper seal ring | 1 | 5 | 8 | 14 |
| (66) | Lock washer | 1 | 1 | 1 | 1 |
| (67) | Lock nut | 1 | 1 | 1 | 1 |

Wear parts CRI, CRN 15, 20, Low NPSH

| Pos. | Number of stages Description/ kit No | 2-6 | 7-10 | 12-17 |
|-------|---|----------|----------|----------|
| | | 96928443 | 96928448 | 96928449 |
| (4a) | Intermediate chamber cpl. w/ bearing | 1 | 2 | 3 |
| (26b) | Set screw | 2 | 2 | 2 |
| (26c) | Washer | 2 | 2 | 2 |
| (45) | Neck ring | 4 | 7 | 13 |
| | Seal ring | 1 | 1 | 1 |
| (47a) | Bearing ring | 1 | 2 | 3 |
| (49c) | Wear ring N | 1 | 1 | 1 |
| | Impeller wear ring | 5 | 9 | 16 |
| (61) | Seal driver | 1 | 1 | 1 |
| (62) | Stop ring | 1 | 1 | 1 |
| (64a) | Spacing bush | 1 | 2 | 3 |
| (64b) | Spacing bush | 1 | 1 | 1 |
| | Spacing bush | 1 | 1 | 1 |
| (64c) | Spacer, lower | 1 | 1 | 1 |
| (64d) | Spacing bush | - | - | 2 |
| (65) | Upper seal ring | 4 | 7 | 13 |
| | Top for neck ring | 1 | 1 | 1 |
| (66) | Lock washer | 1 | 1 | 1 |
| (67) | Lock nut | 1 | 1 | 1 |

CR, CRI, CRN 10, 15, 20, air-cooled top



CR, CRI, CRN 10, 15, 20 CR Air-cooled top

TM02 7813 1107

CR, CRI, CRN 32, 45, 64, 90**Connecting pipe**

| Pos. | Description | Rubber | EPDM/FKM | FXM |
|---------------|-----------------|--------|----------|----------|
| | | Kit No | 96578685 | 96578686 |
| 109a, 109b | O-ring | FXM | - | 2 |
| | | EPDM | 2 | - |
| | | FKM | 2 | - |
| 149 | Connecting pipe | | 1 | 1 |

O-ring, CR(N) 32

| Pos | Kit No Description | 96578670 96578671 96578672 | | | |
|------|-----------------------|----------------------------|------|-----|-----|
| | | Rubber | EPDM | FKM | FXM |
| 37 | O-ring | EPDM | 2 | - | - |
| | | FKM | - | 2 | - |
| | | FXM | - | - | 2 |
| 37b | O-ring | EPDM | - | - | - |
| | | FKM | 2 | - | 2 |
| 38 | O-ring | EPDM | 1 | - | - |
| | | FKM | - | 1 | - |
| | | FXM | - | - | 1 |
| 60 | Spring | EPDM | 4 | - | - |
| | | FKM | - | 4 | - |
| | | PTFE | - | - | 4 |
| 100 | O-ring | EPDM | 2 | - | 1 |
| | | FKM | - | 2 | - |
| 100a | O-ring | EPDM | 4 | - | - |
| | | FKM | - | 4 | - |
| | | FXM | - | - | 4 |
| 109 | O-ring | EPDM | 1 | - | 1 |
| | | FKM | - | 1 | - |
| | | FXM | - | - | 2 |
| 109a | O-ring | EPDM | 1 | - | - |
| | | FKM | - | 1 | - |
| 109b | O-ring | EPDM | 1 | - | - |
| | | FKM | - | 1 | - |
| 110 | O-ring | EPDM | 1 | - | 1 |
| | | FKM | - | 1 | - |
| - | Adjusting fork | | 1 | 1 | 1 |

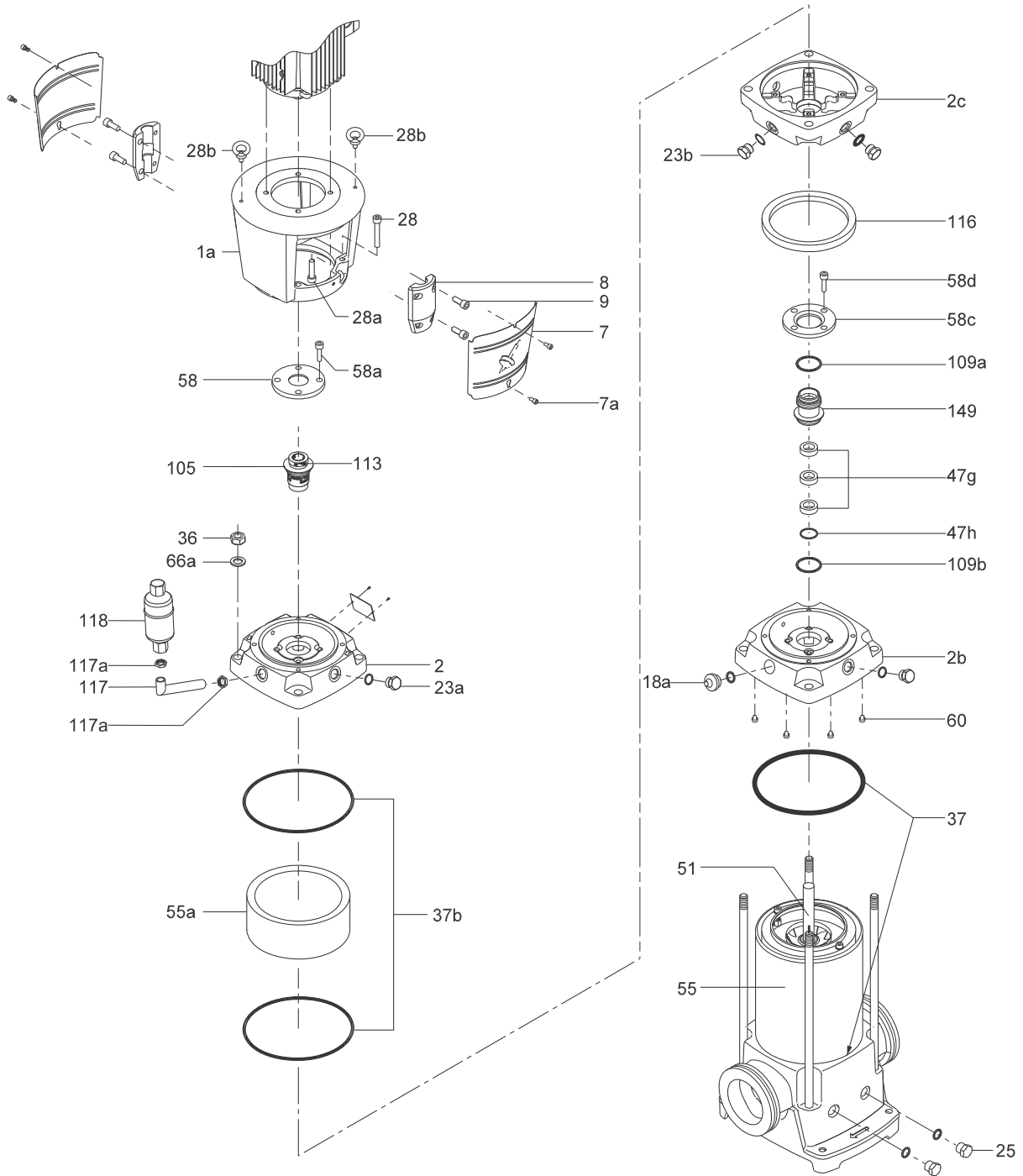
O-ring, CR(N) 45/64

| Pos | Kit No Description | 96578673 96578674 96578675 | | | |
|------|-----------------------|----------------------------|------|-----|-----|
| | | Rubber | EPDM | FKM | FXM |
| 37 | O-ring | EPDM | 2 | - | - |
| | | FKM | - | 2 | - |
| | | FXM | - | - | 2 |
| 37b | O-ring | EPDM | - | - | - |
| | | FKM | 2 | - | 2 |
| 38 | O-ring | EPDM | 1 | - | - |
| | | FKM | - | 1 | - |
| | | FXM | - | - | 1 |
| 60 | Spring | EPDM | 4 | - | - |
| | | FKM | - | 4 | - |
| | | PTFE | - | - | 4 |
| 100 | O-ring | EPDM | 2 | - | 1 |
| | | FKM | - | 2 | - |
| 100a | O-ring | EPDM | 4 | - | - |
| | | FKM | - | 4 | - |
| | | FXM | - | - | 4 |
| 109 | O-ring | EPDM | 1 | - | 1 |
| | | FKM | - | 1 | - |
| | | FXM | - | - | 2 |
| 109a | O-ring | EPDM | 1 | - | - |
| | | FKM | - | 1 | - |
| 109b | O-ring | EPDM | 1 | - | - |
| | | FKM | - | 1 | - |
| 110 | O-ring | EPDM | 1 | - | 1 |
| | | FKM | - | 1 | - |
| - | Adjusting fork | | 1 | 1 | 1 |

O-ring, CR(N) 90

| Pos | Kit No Description | 96578676 96578677 96578678 | | | |
|------|-----------------------|----------------------------|------|-----|-----|
| | | Rubber | EPDM | FKM | FXM |
| 37 | O-ring | EPDM | 2 | - | - |
| | | FKM | - | 2 | - |
| | | FXM | - | - | 2 |
| 37b | O-ring | EPDM | - | - | - |
| | | FKM | 2 | - | 2 |
| 38 | O-ring | EPDM | 1 | - | - |
| | | FKM | - | 1 | - |
| | | FXM | - | - | 1 |
| 60 | Spring | EPDM | 4 | - | - |
| | | FKM | - | 4 | - |
| | | PTFE | - | - | 4 |
| 100 | O-ring | EPDM | 2 | - | 1 |
| | | FKM | - | 2 | - |
| 100a | O-ring | EPDM | 4 | - | - |
| | | FKM | - | 4 | - |
| | | FXM | - | - | 4 |
| 109 | O-ring | EPDM | 1 | - | 1 |
| | | FKM | - | 1 | - |
| | | FXM | - | - | 2 |
| 109a | O-ring | EPDM | 1 | - | - |
| | | FKM | - | 1 | - |
| 109b | O-ring | EPDM | 1 | - | - |
| | | FKM | - | 1 | - |
| 110 | O-ring | EPDM | 1 | - | 1 |
| | | FKM | - | 1 | - |
| - | Adjusting fork | | 1 | 1 | 1 |

CR, CRI, CRN 32, 45, 64, 90, air-cooled top



CR, CRI, CRN 32, 45, 64, 90 CR Air-cooled top

TM05 8189 2013

CR, CRI, CRN 32, 45, 64, 90, model B**Air vent**

| Kit | Vertical | Horizontal |
|----------|----------|------------|
| Air vent | 98593444 | 98593449 |

Content

| Pos. | Description | Quantity |
|------|-------------|----------|
| | Air vent | 1 |
| | Nut | 2 |
| | Pipe | 1 |

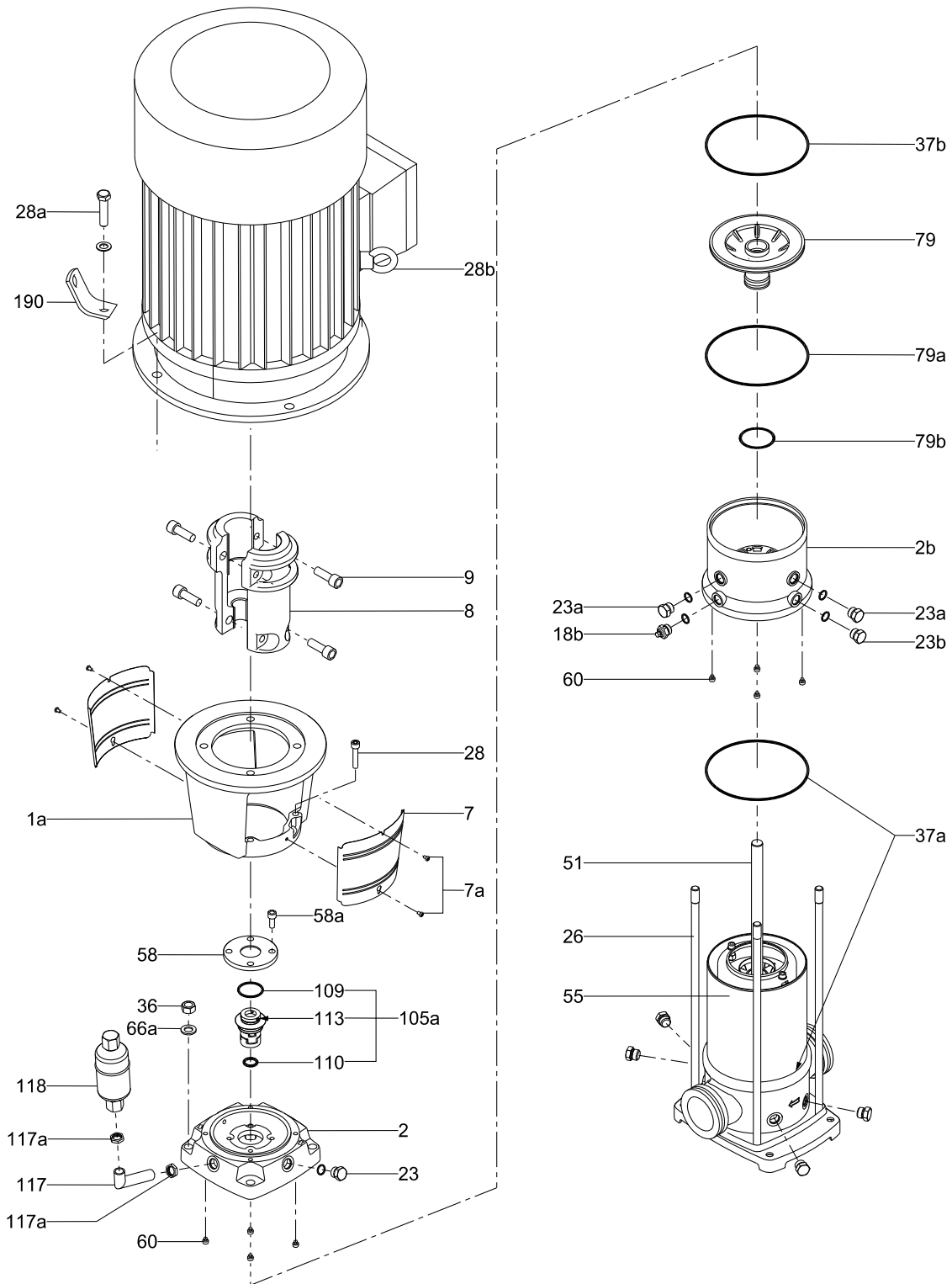
O-ring, CR(N) 32

| Pos | Kit No | | 98593477 | 98593480 | 98593491 | 98593493 | 98593494 |
|----------------|-------------|--------|----------|----------|----------|----------|----------|
| | Description | Rubber | EPDM | FKM | FXM | FXM/EPDM | FXM/FKM |
| O-ring | | EPDM | 1 | | | 1 | |
| | | FKM | | 1 | | | 1 |
| | | FXM | | | 1 | | |
| O-ring | | EPDM | 1 | | | 1 | |
| | | FKM | | 1 | | | 1 |
| | | FXM | | | 1 | | |
| O-ring | | EPDM | 1 | | 1 | 1 | |
| | | FKM | | 1 | | | 1 |
| | | FXM | | | 1 | | |
| O-ring | | EPDM | 1 | | | | |
| | | FKM | | 1 | | | |
| | | FXM | | | 1 | 1 | 1 |
| O-ring | | EPDM | 2 | | | | |
| | | FKM | | 2 | | | |
| | | FXM | | | 2 | 2 | 2 |
| O-ring | | EPDM | 2 | | | | |
| | | FKM | | 2 | | | |
| | | FXM | | | 2 | 2 | 2 |
| O-ring | | EPDM | 4 | | | | |
| | | FKM | | 4 | | | |
| | | FXM | | | 4 | 4 | 4 |
| Spring | | PTFE | 8 | 8 | 8 | 8 | 8 |
| Adjusting fork | | | 1 | 1 | 1 | 1 | 1 |

O-ring, CR(N) 45/64

| Pos | Kit No | | 98593495 | 98593496 | 98593499 | 98593512 | 98593513 |
|----------------|-------------|--------|----------|----------|----------|----------|----------|
| | Description | Rubber | EPDM | FKM | FXM | FXM/EPDM | FXM/FKM |
| O-ring | | EPDM | 1 | | | 1 | |
| | | FKM | | 1 | | | 1 |
| | | FXM | | | 1 | | |
| O-ring | | EPDM | 1 | | | 1 | |
| | | FKM | | 1 | | | 1 |
| | | FXM | | | 1 | | |
| O-ring | | EPDM | 1 | | 1 | 1 | |
| | | FKM | | 1 | | | 1 |
| | | FXM | | | 1 | | |
| O-ring | | EPDM | 2 | | | | |
| | | FKM | | 2 | | | |
| | | FXM | | | 2 | 2 | 2 |
| O-ring | | EPDM | 2 | | | | |
| | | FKM | | 2 | | | |
| | | FXM | | | 2 | 2 | 2 |
| O-ring | | EPDM | 4 | | | | |
| | | FKM | | 4 | | | |
| | | FXM | | | 4 | 4 | 4 |
| Spring | | PTFE | 8 | 8 | 8 | 8 | 8 |
| Adjusting fork | | | 1 | 1 | 1 | 1 | 1 |

CR, CRI, CRN 32, 45, 64, 90, model B



CR, CRI, CRN 32, 45, 64, 90, model B CR Air-cooled top

TM05 9664 4313

CR, CRI, CRN 32, 45, 64, 90, model B**O-ring, CR(N) 90**

| Pos | Kit No | Rubber | 98593514 | 98593516 | 98593517 | 98593519 | 98593541 |
|----------------|--------|--------|----------|----------|----------|----------|----------|
| | | | EPDM | FKM | FXM | FXM/EPDM | FXM/FKM |
| O-ring | | EPDM | 1 | | | 1 | |
| | | FKM | | 1 | | | 1 |
| | | FXM | | | 1 | | |
| O-ring | | EPDM | 1 | | | 1 | |
| | | FKM | | 1 | | | 1 |
| | | FXM | | | 1 | | |
| O-ring | | EPDM | 1 | | 1 | 1 | |
| | | FKM | | 1 | | | 1 |
| | | FXM | | | | | |
| O-ring | | EPDM | 1 | | | | |
| | | FKM | | 1 | | | |
| | | FXM | | | 1 | 1 | 1 |
| O-ring | | EPDM | 2 | | | | |
| | | FKM | | 2 | | | |
| | | FXM | | | 2 | 2 | 2 |
| O-ring | | EPDM | 2 | | | | |
| | | FKM | | 2 | | | |
| | | FXM | | | 2 | 2 | 2 |
| O-ring | | EPDM | 4 | | | | |
| | | FKM | | 4 | | | |
| | | FXM | | | 4 | 4 | 4 |
| Spring | | PTFE | 8 | 8 | 8 | 8 | 8 |
| Adjusting fork | | | 1 | 1 | 1 | 1 | 1 |

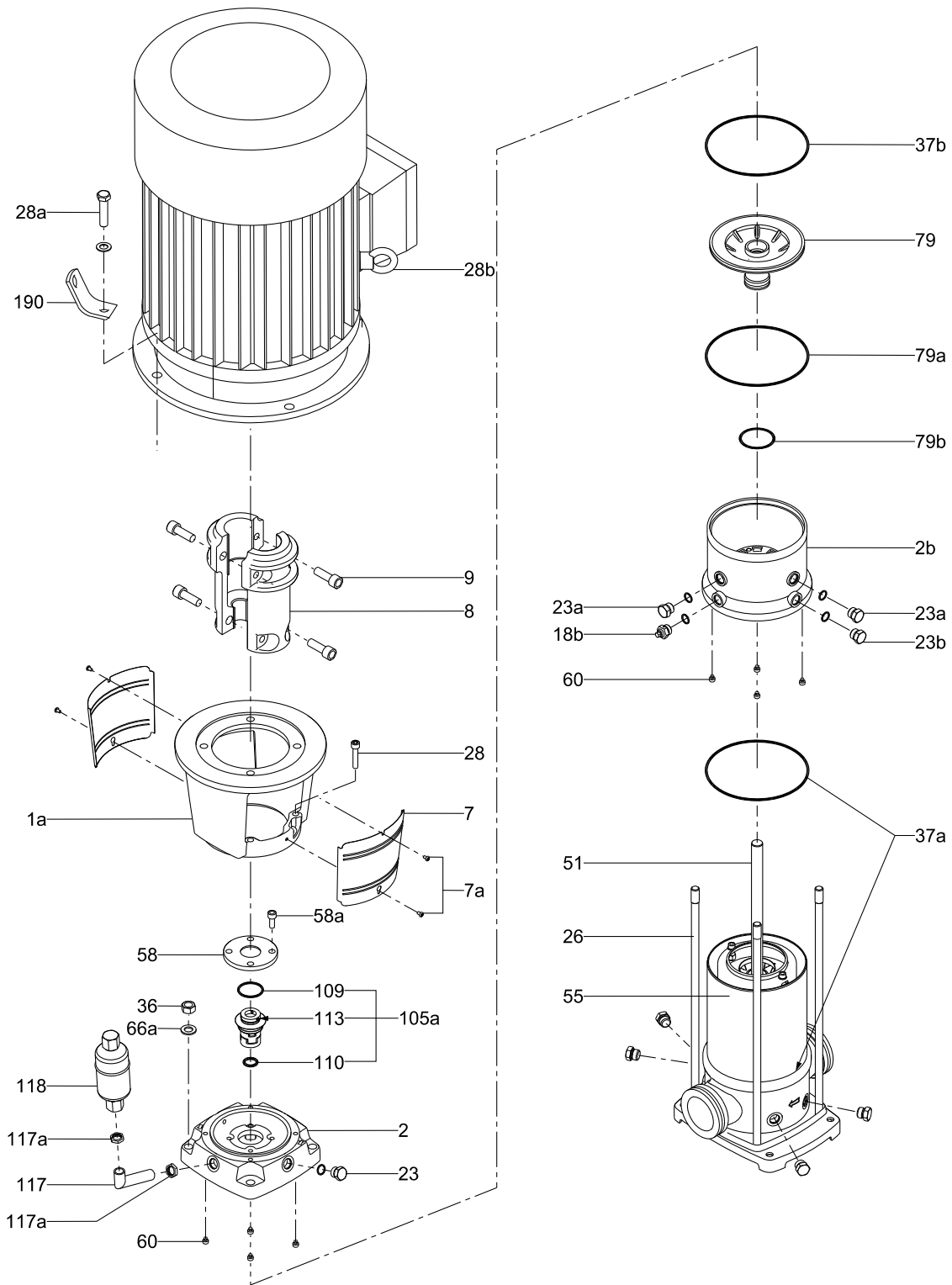
Plug

| Pos | Description/ Kit No | 98593644 |
|-----|---------------------|----------|
| | Plug | 2 |
| | Air vent screw | 1 |
| | Plug | 1 |
| | O-ring | 4 |
| | O-ring | 4 |
| | O-ring | 4 |

Cover

| Pos | Description/ Kit No | 98593648 |
|-----|---------------------|----------|
| | Cover N | 1 |
| | Cap Screw | 4 |

CR, CRI, CRN 32, 45, 64, 90, model B



CR, CRI, CRN 32, 45, 64, 90, model B CR Air-cooled top

TM05 9664 4313