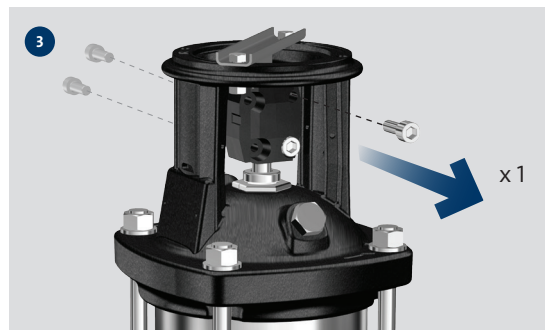
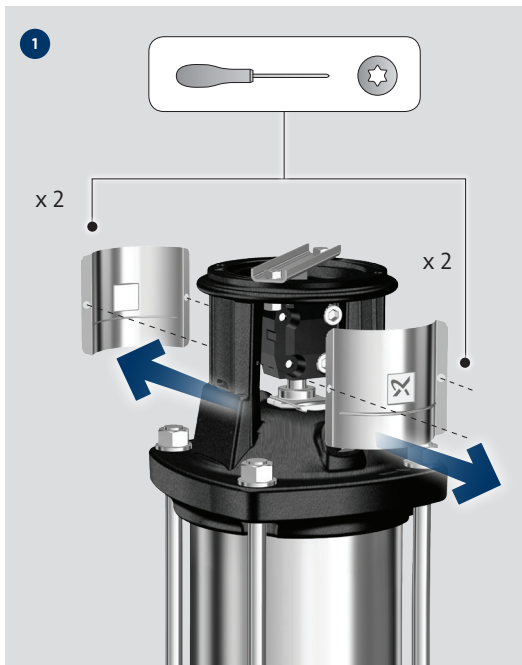
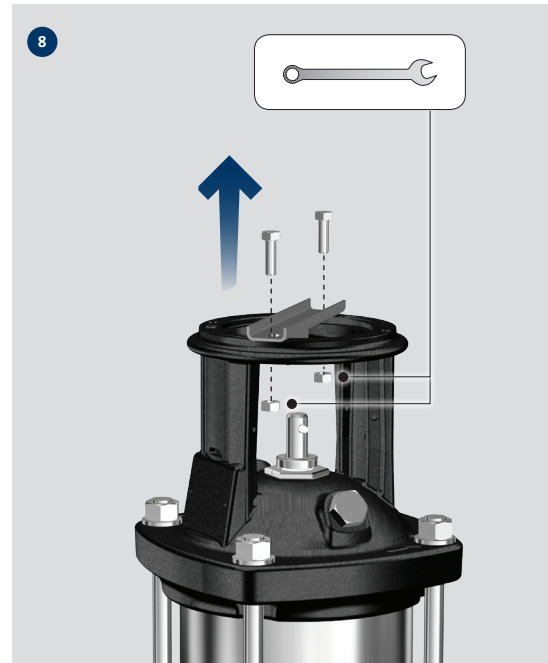


Removal of

# TRANSPORT BRACKET





10

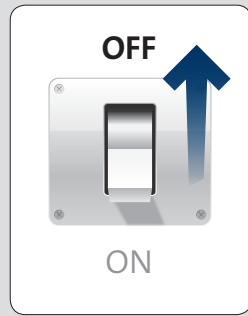


Dimension	Torque [Nm]	Lubricant
M6	10	Tread-Eze
M8	12	
M12	40	
M16	80	

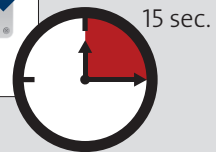
CCW



12

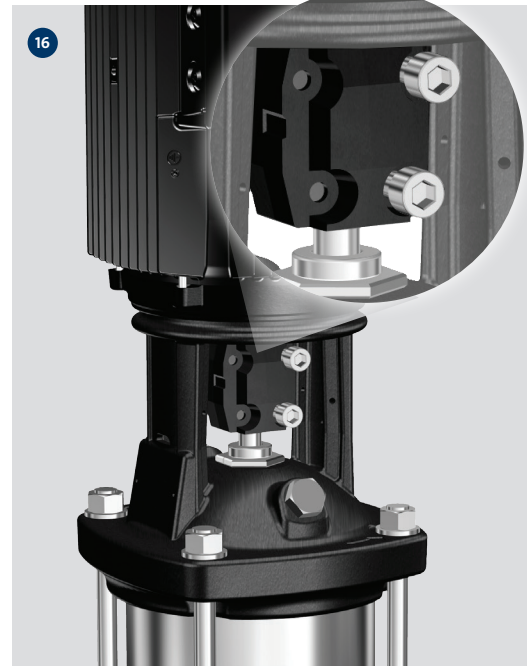
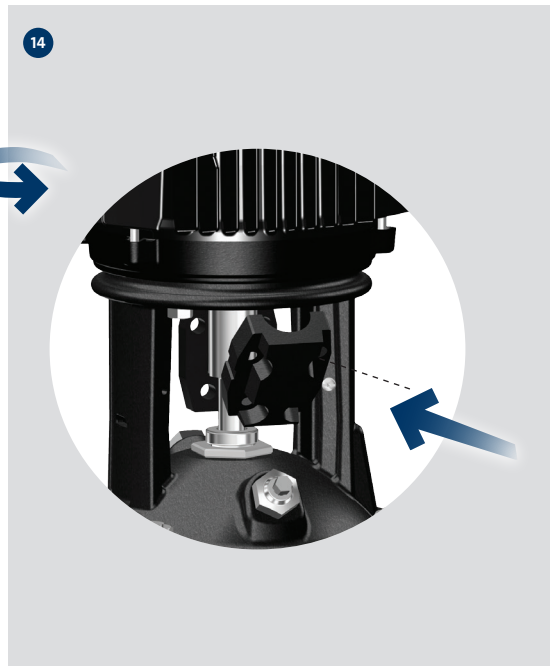
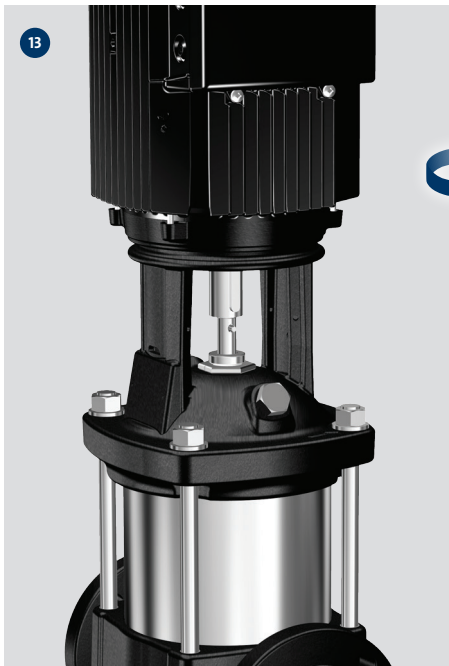


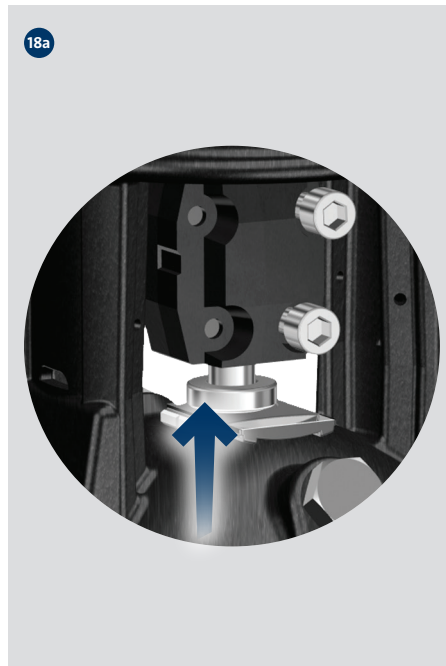
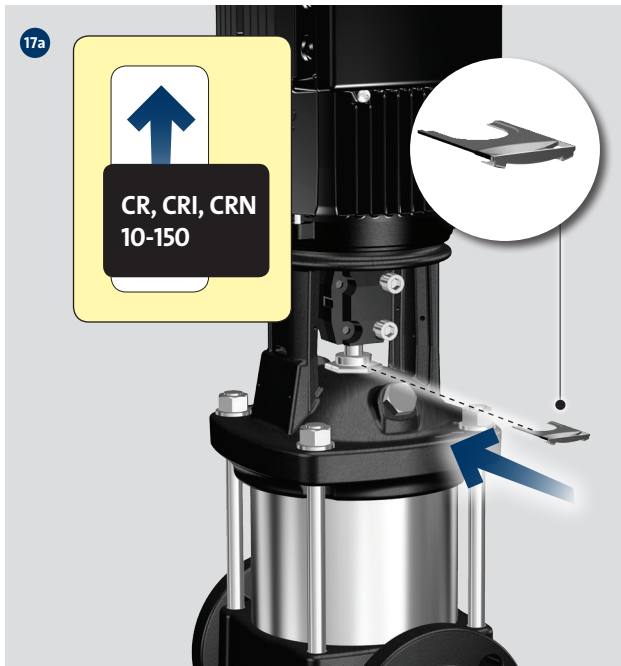
11



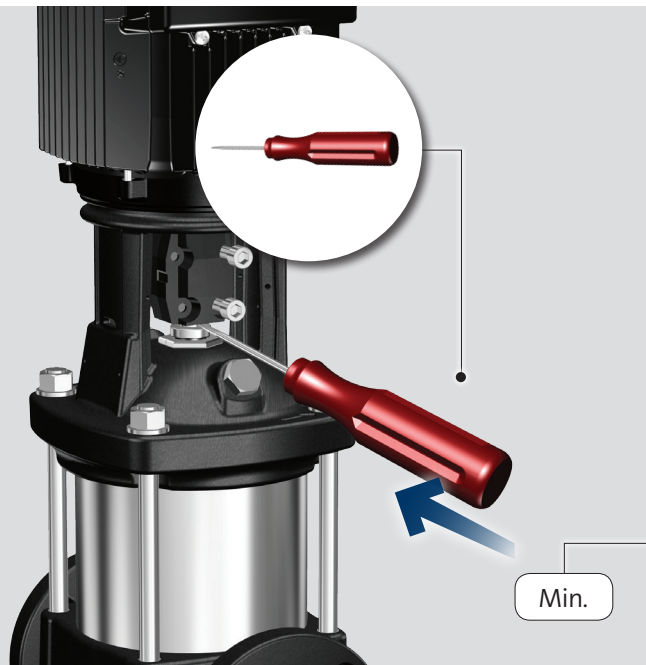
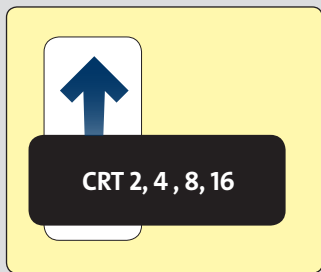
CW



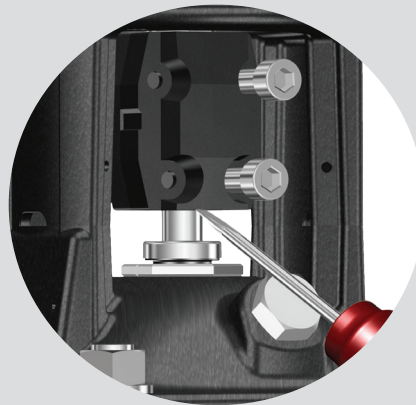




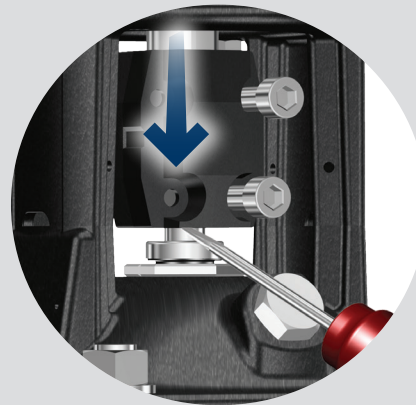
17b



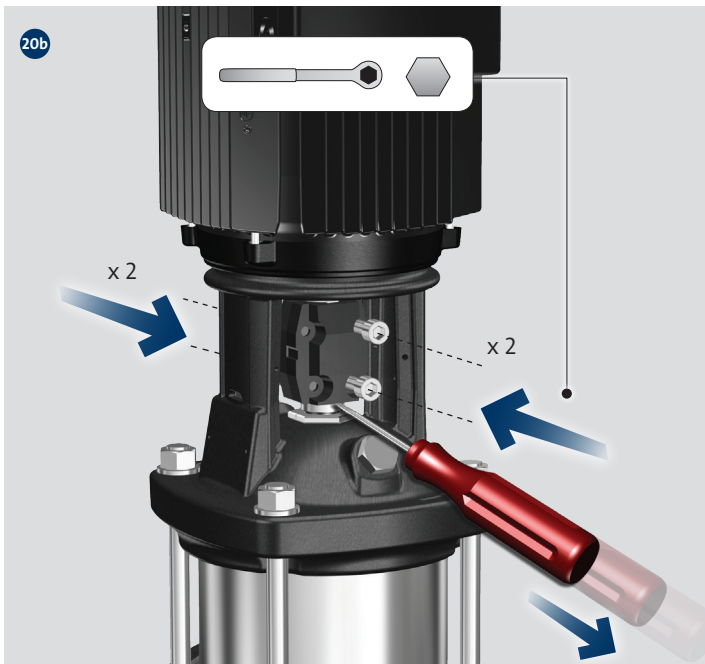
18b



19b

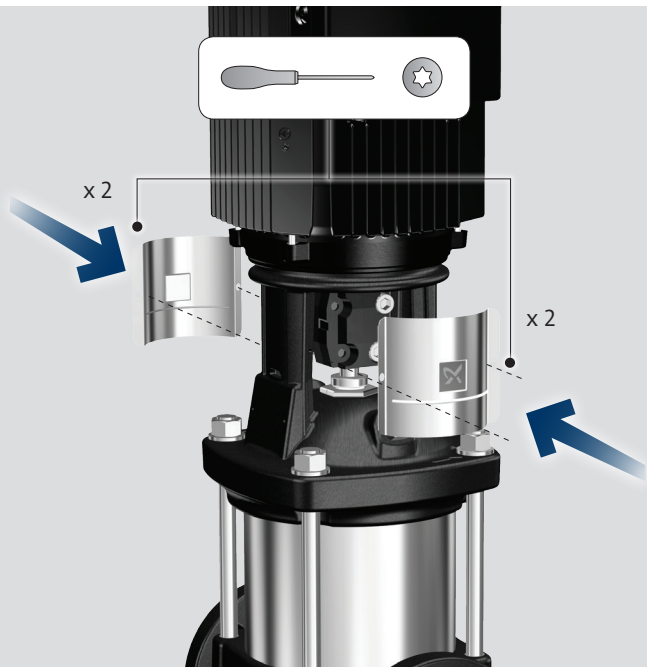


$$\frac{\text{Max.} - \text{Min.}}{2} = \text{lift}$$





21



22



---

---

---

---

---

---

---

---

---

---

---

---

---

---

---

---

---

---

---

---

be think innovate

---

96527550 0917

ECM: 1218314

**GRUNDFOS Holding A/S**  
Poul Due Jensens Vej 7  
DK-8850 Bjerringbro  
Tel: +45 87 50 14 00  
[www.grundfos.com](http://www.grundfos.com)

Pumpland.ru

**GRUNDFOS** 

The name Grundfos, the Grundfos logo, and be think, innovate are registered trademarks owned by Grundfos Holding A/S or Grundfos A/S, Denmark. All rights reserved worldwide.