

# CR, CRN 95-255

Chamber, bearing and impeller replacement, Ø28 and Ø36 shafts

Service kit instructions



Service instructions

<http://net.grundfos.com/qr/i/99233360>

be  
think  
innovate

**GRUNDFOS**

# English (GB) Service kit instructions

---

## CONTENTS

	Page
1. General warning	2
2. Dismantling	4
3. Assembly	18

---

## 1. General warning

### English (GB)



Warning

Before starting service work, read the safety instructions supplied with the product.

### Dansk (DK)



Advarsel

Læs sikkerhedsanvisningerne der blev leveret med produktet, før du foretager servicearbejde.

### Deutsch (DE)



Warnung

Vor der Durchführung irgendwelcher Reparaturarbeiten ist die mit dem Produkt mitgelieferten Sicherheitshinweise sorgfältig durchzulesen.

### Español (ES)



Advertencia

Antes de comenzar el trabajo, lea las instrucciones de seguridad suministradas con el producto.

### Français (FR)



Avertissement

Avant toute intervention, consulter les consignes de maintenance fournies avec le produit.

**Italiano (IT)****Avviso**

Prima di iniziare i lavori di manutenzione, leggere le istruzioni di sicurezza fornite con il prodotto.

**Nederlands (NL)****Waarschuwing**

Lees de veiligheidsinstructies die bij het product meegeleverd zijn voordat u begint met servicewerkzaamheden.

**Português (PT)****Aviso**

Antes de iniciar o serviço de manutenção, leia as instruções de segurança fornecidas com o produto.

**Русский (RU)****Предупреждение**

Перед началом работ по сервисному обслуживанию необходимо прочитать сервисное руководство, поставляемое с продуктом.

**中文 (CN)****警告**

在开始维修工作前，请参阅与产品一起随附的安全手册。

**日本語 (JP)****警告**

作業を始める前に、製品に添付された安全上の説明書をお読みください。

**한국어 (KO)****경고**

서비스를 수행하기 전에, 제품과 함께 제공된 안전 이용 수칙 (Safety instructions) 을 반드시 읽으십시오.

## 2. Dismantling

DK: Demontering

DE: Demontage

ES: Desmontaje

FR: Démontage

IT: Smontaggio

PT: Desmontagem

RU: Демонтаж

CN: 拆卸

JP: 分解手順

KO: 분해

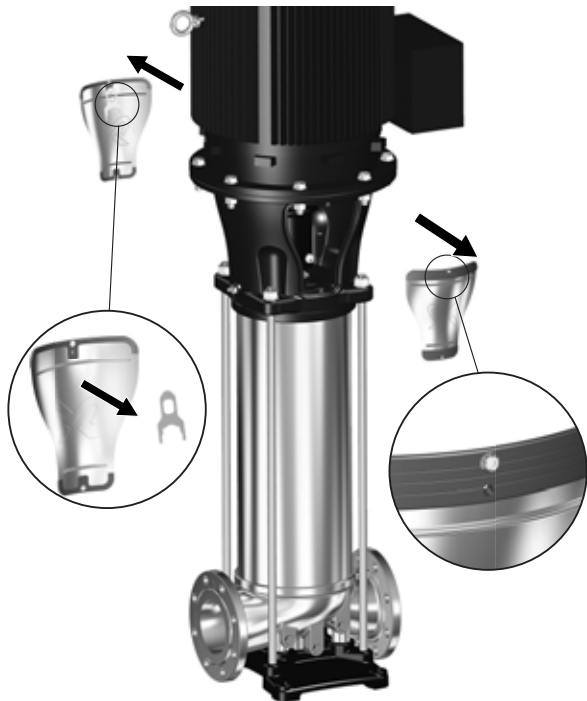


Fig. 1

TM07 0893 1018

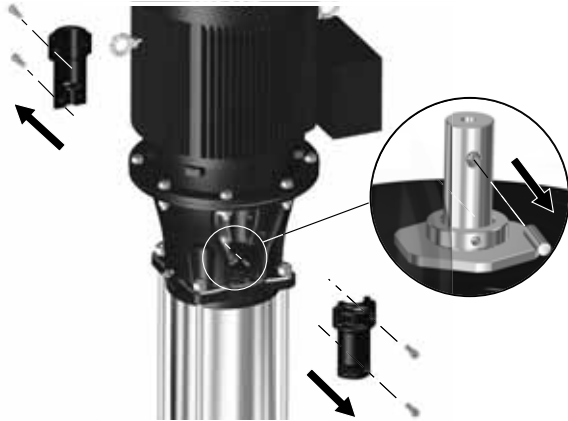


Fig. 2

TM07 0894 1518

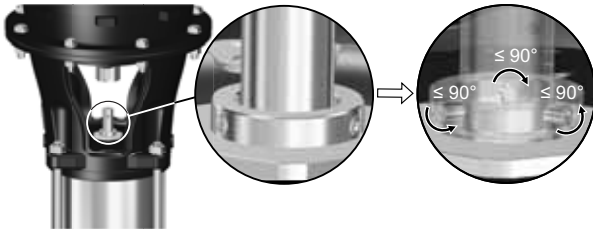


Fig. 3

TM07 0895 1318

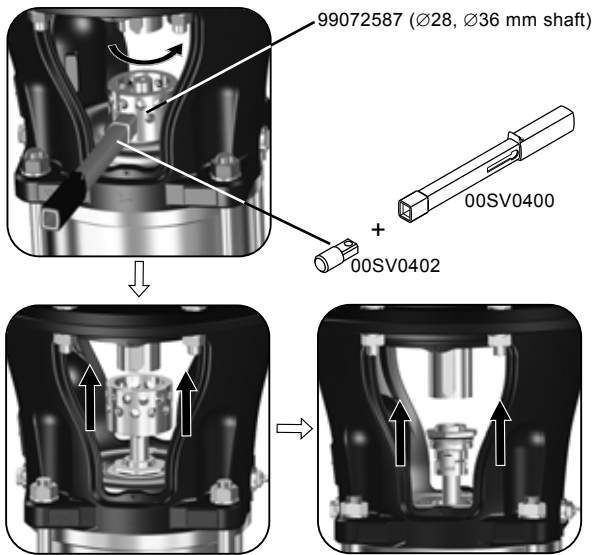


Fig. 4

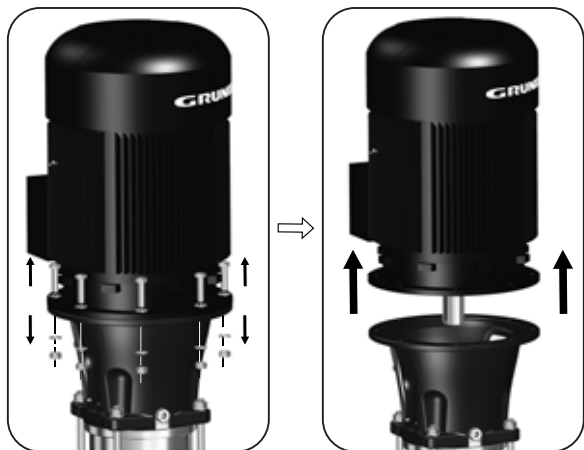


Fig. 5

TM07 0899 1218

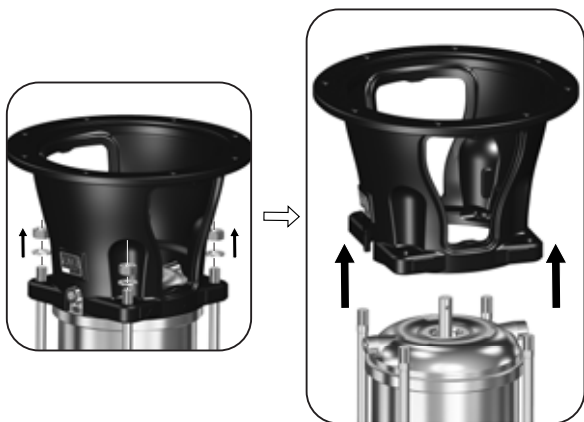


Fig. 6

TM07 0902 1218

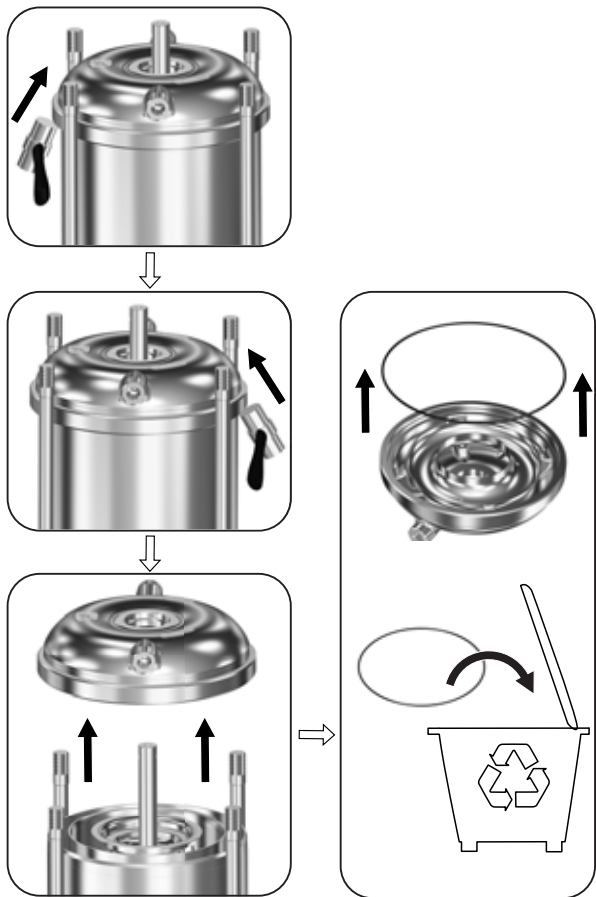


Fig. 7

TM07 0904 1518



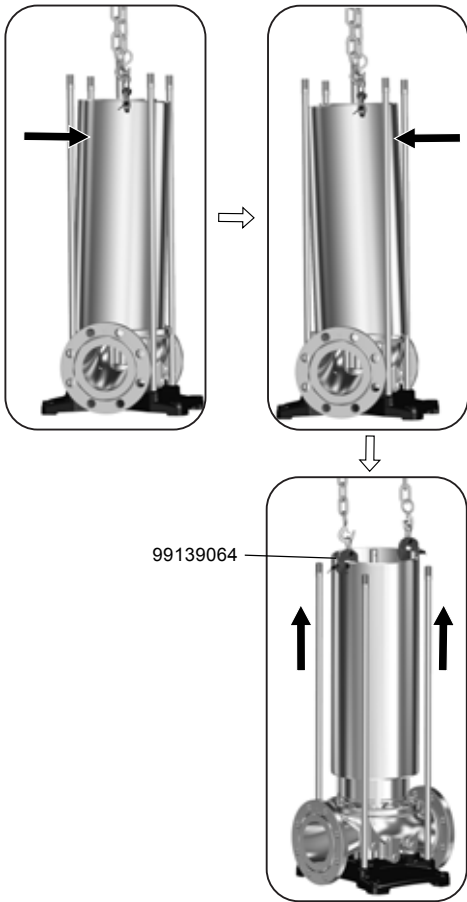


Fig. 8

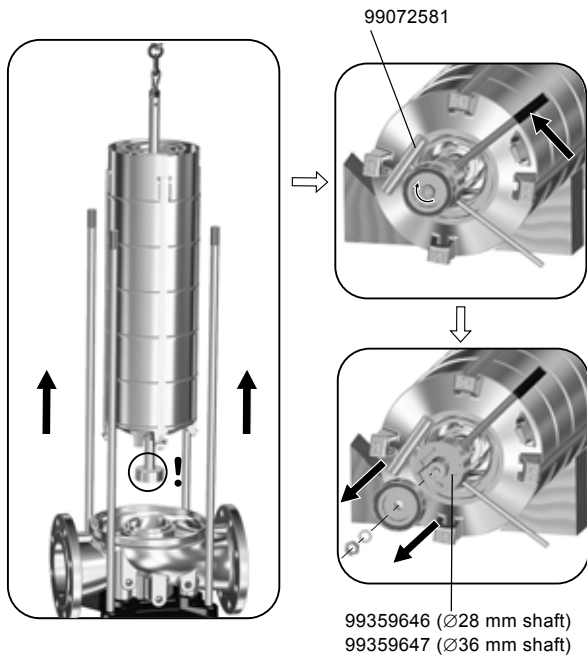


Fig. 9

TM07 0912 1418

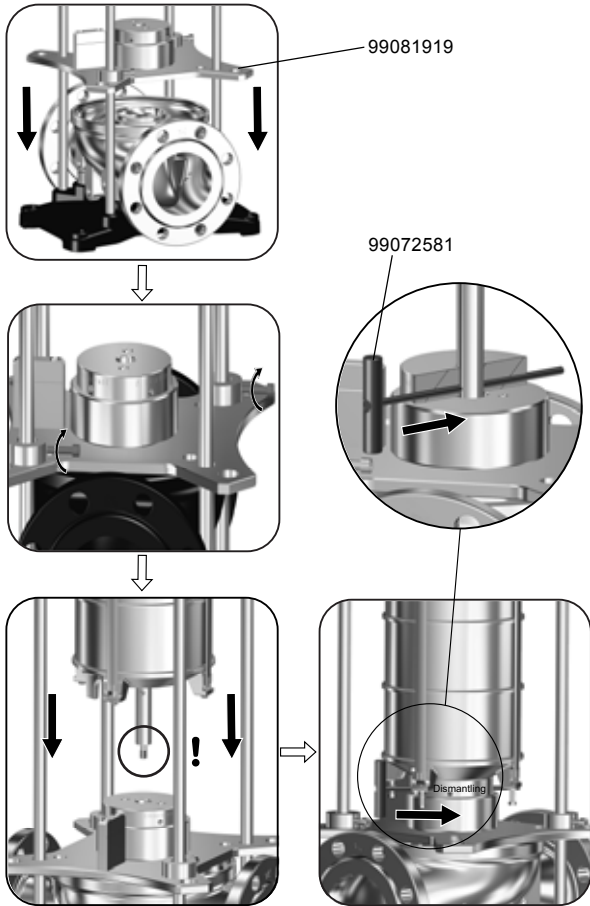


Fig. 10

TM07 0918 1718

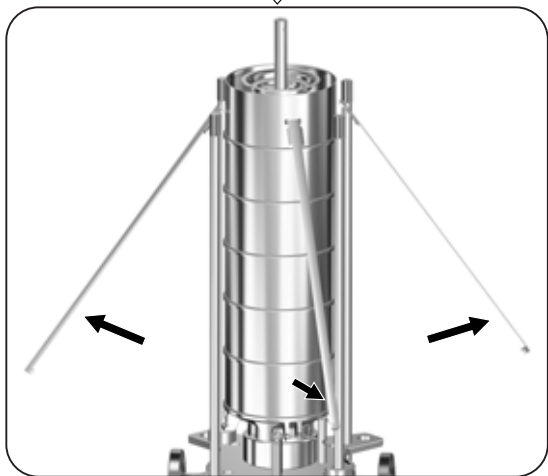
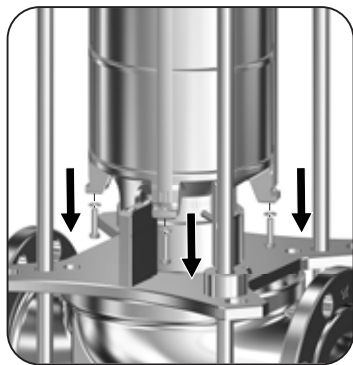


Fig. 11

TM07 0919 1218

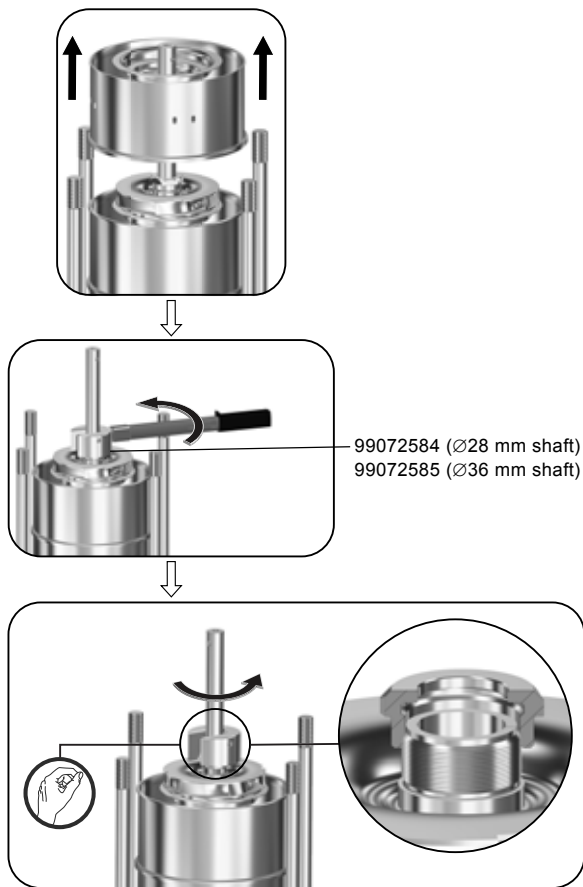


Fig. 12

TM07 0921 1418

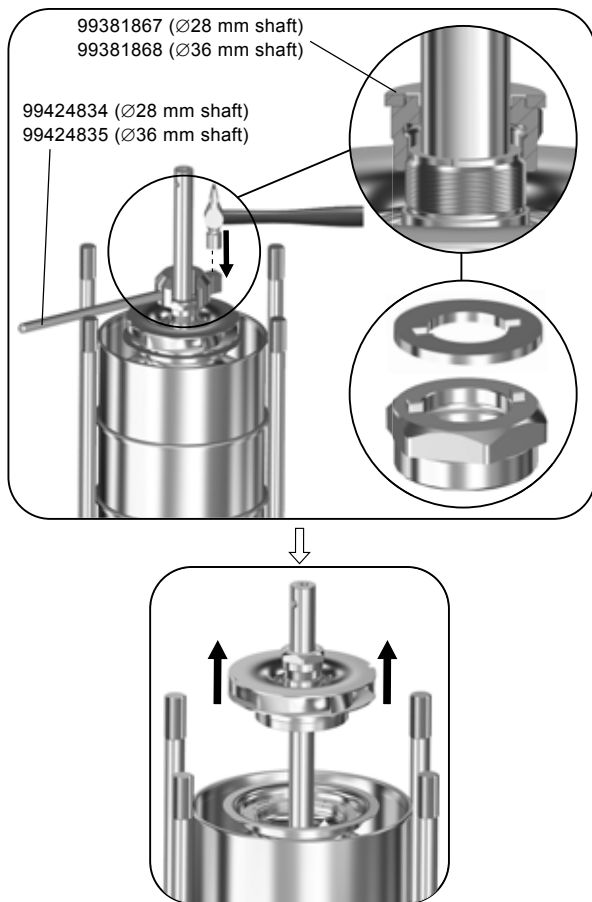


Fig. 13

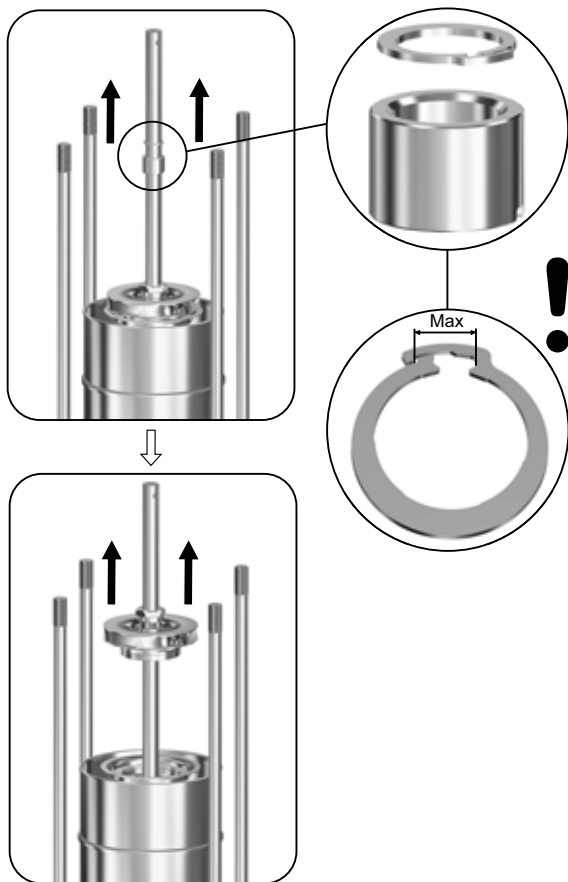


Fig. 14

TM07 1596 2618

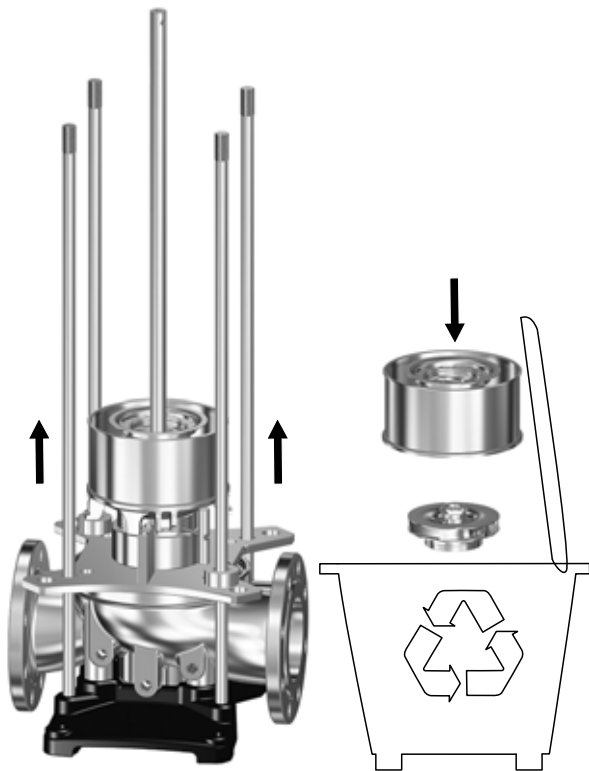


Fig. 15

TM07 0925 1218



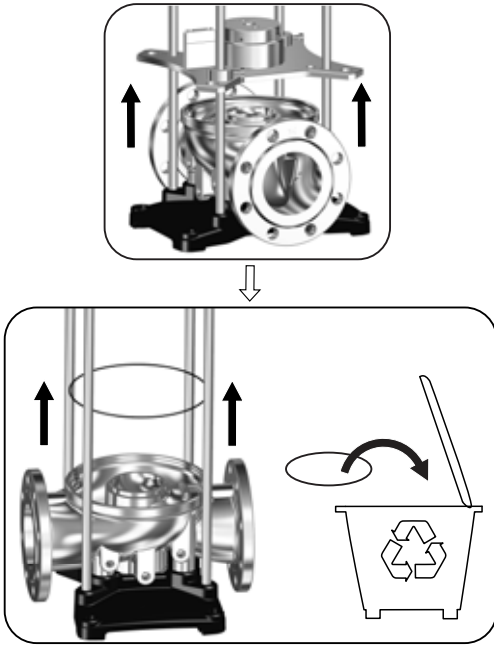


Fig. 16

TM07 1573 1718

### 3. Assembly

DK: Montering

DE: Montage

ES: Montaje

FR: Montage

IT: Montaggio

PT: Montagem

RU: Подключение

CN: 装配

JP: 組み立て手順

KO: 조립

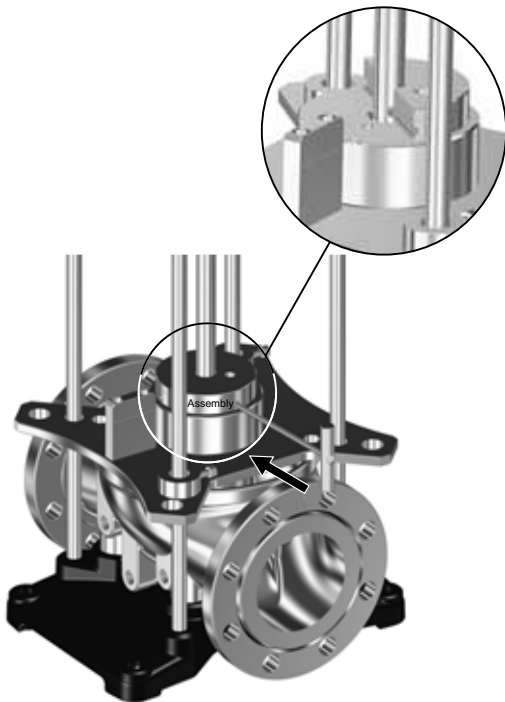


Fig. 17

TM07 0822 17 18

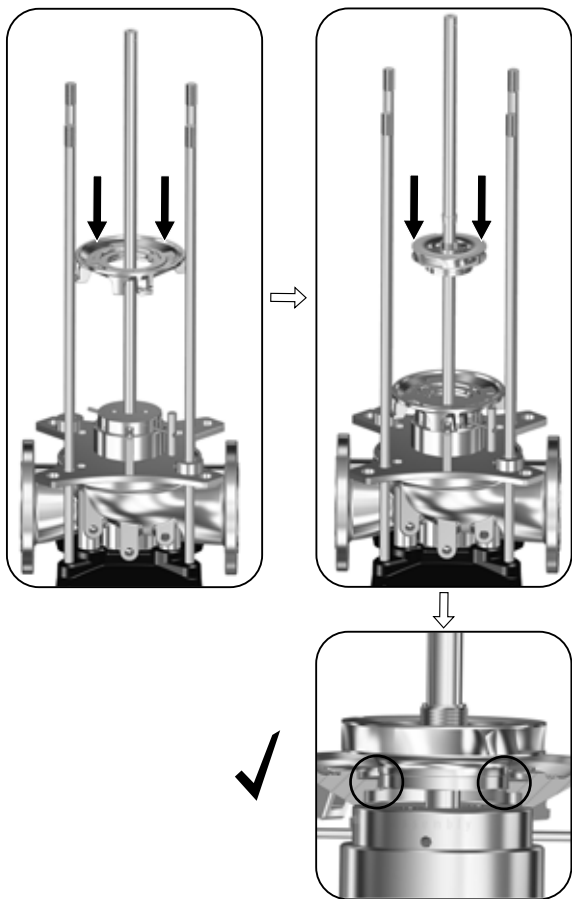


Fig. 18

TM07 0823 1518

Size	Torque [Nm]
Hex 46 (Ø28 shaft)	130
Hex 60 (Ø36 shaft)	290

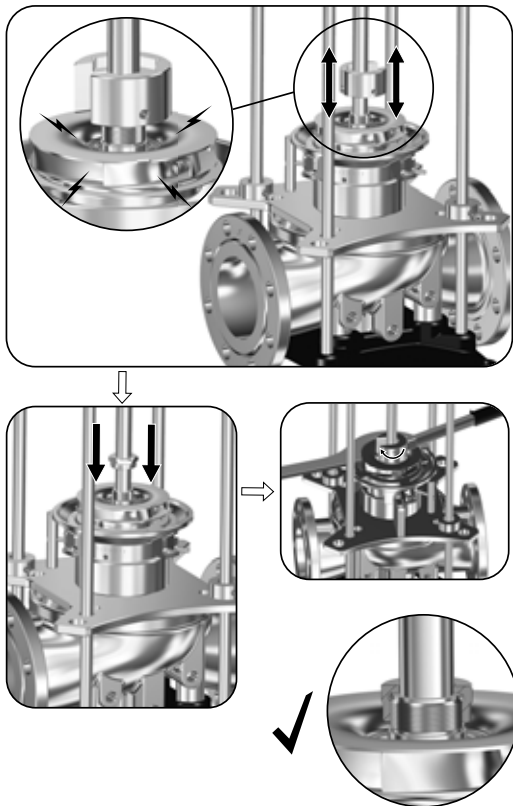


Fig. 19

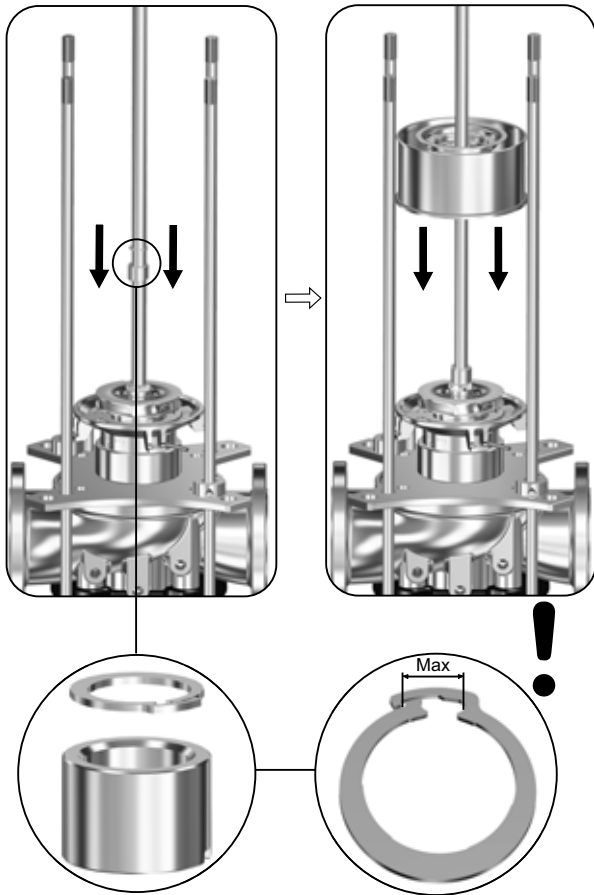
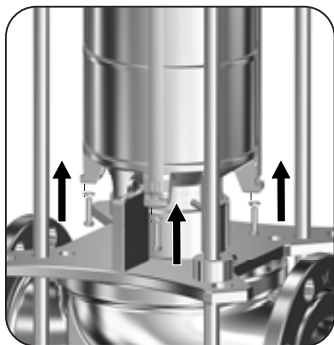
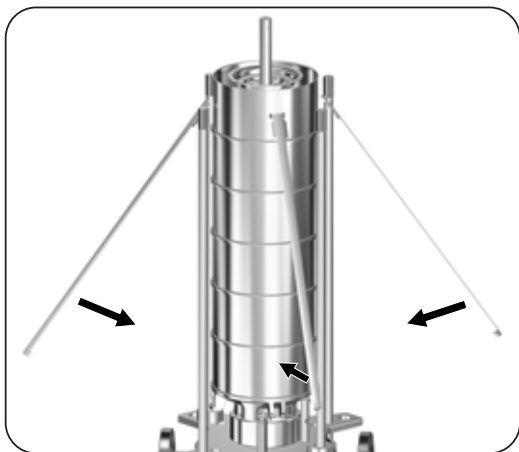


Fig. 20

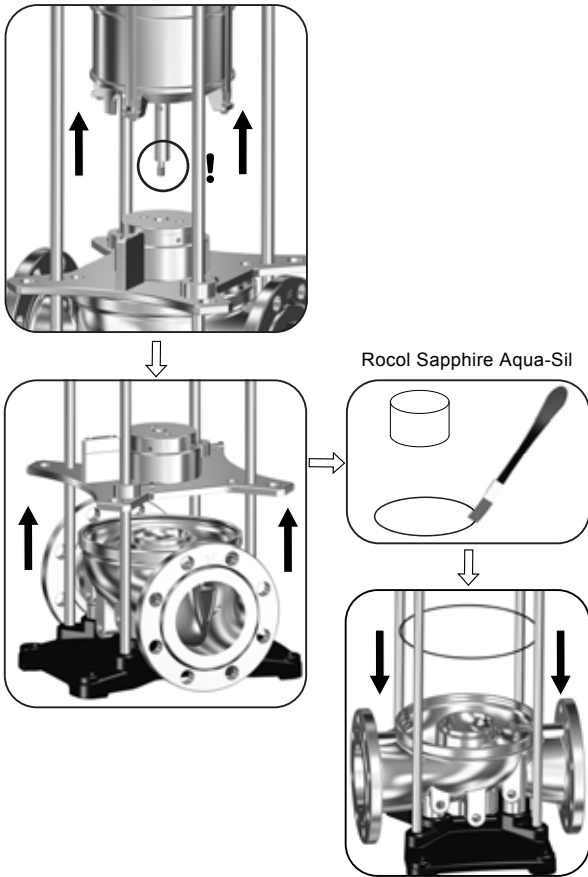
TM07 1597 2618



Size	Torque [Nm]
M8	22

TM07 0843 1318

Fig. 21



TM07 0845 1318

Fig. 22

Size	Torque [Nm]
M12	60
M16	140

99072581

99359646 (∅28 mm shaft)

99359647 (∅36 mm shaft)

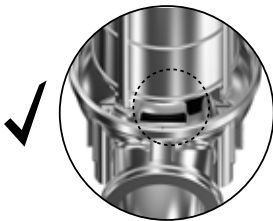
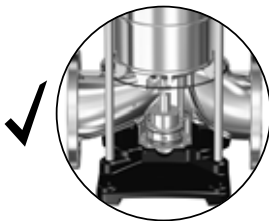
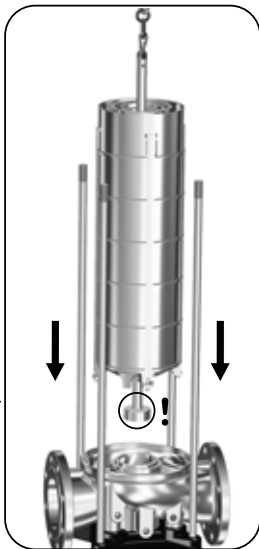
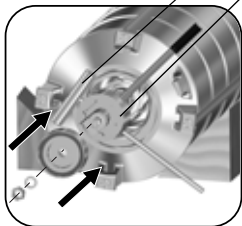


Fig. 23



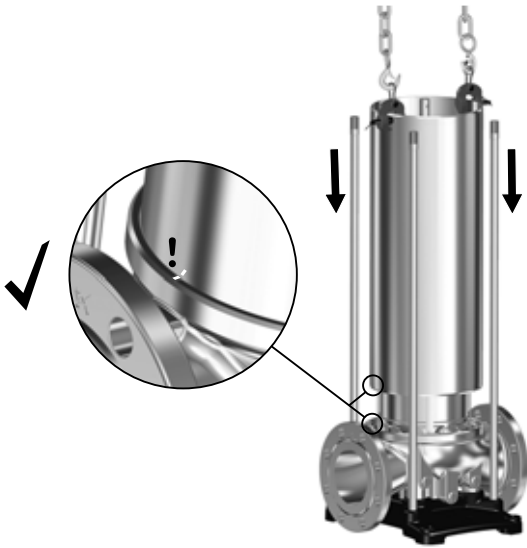


Fig. 24

TM07 0849 1418

Rocol Sapphire Aqua-Sil

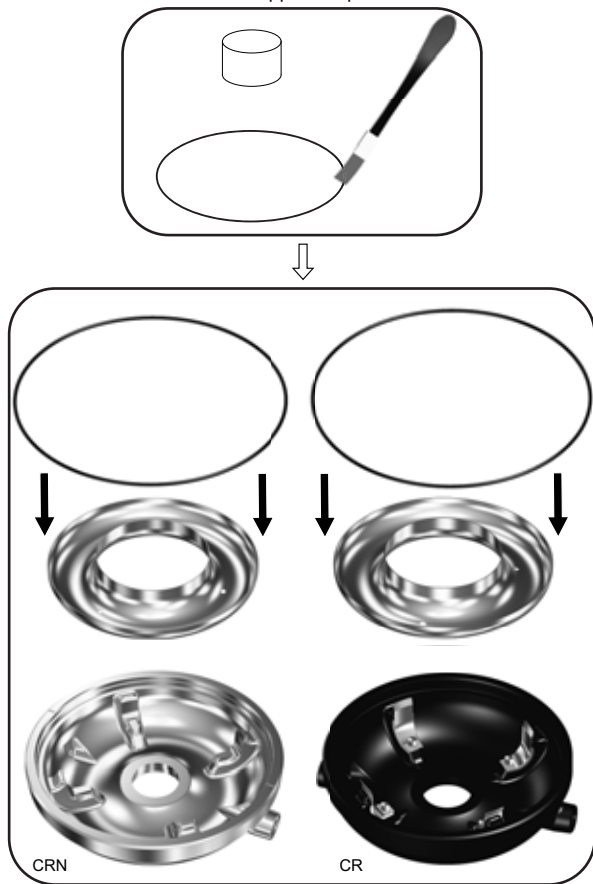


Fig. 25

TM07 0852 1718

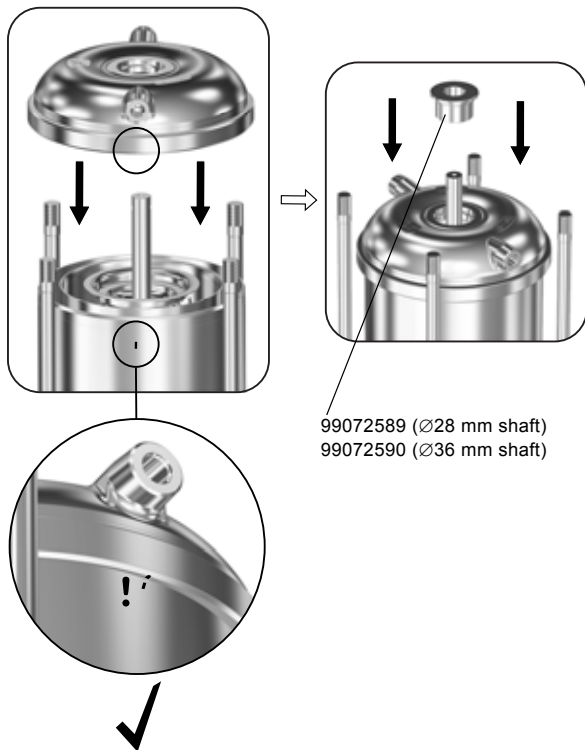


Fig. 26

TM07 0853 1518

Size	Torque [Nm]
M16 (CR, CRN 95, PN 16)	160
M20 (CR, CRN 95, PN 40)	320
M20 (CR, CRN 125/155, PN 16)	190
M20 (CR, CRN 125/155, PN 25/30)	320
M24 (CR, CRN 125/155, PN 25/30/40)	625
M30 (CR, CRN 185/215/255, PN 16)	410
M30 (CR, CRN 185/215/255, PN 25)	710
M30 (CR, CRN 185/215/255, PN 40)	950

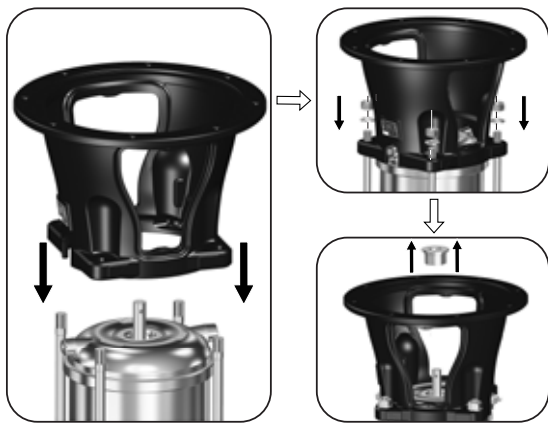


Fig. 27

TM07 0855 1518

Size	Torque [Nm]
M12	40
M16	80
M20	150

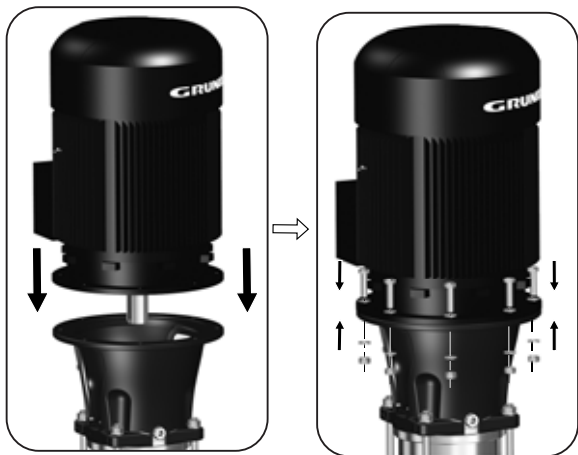


Fig. 28

TM07 0867 1418

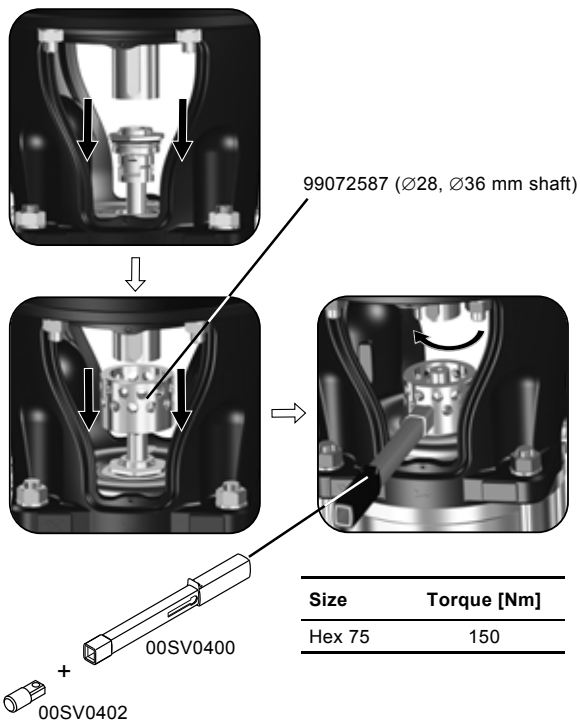


Fig. 29

TM07 0864 1618

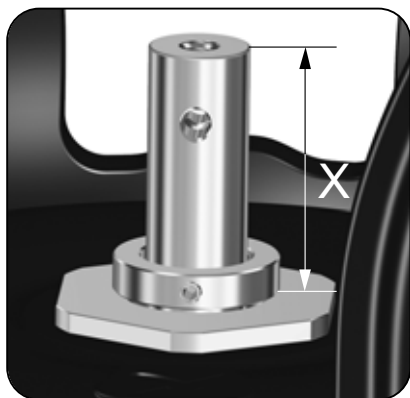
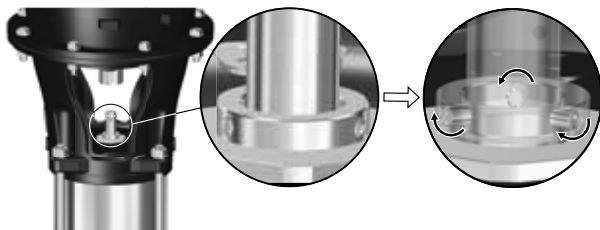

 $X = 71 \text{ mm} \pm 2$ 

Fig. 30

TM07 0969 1018



Size	Torque [Nm]
M6	6

Fig. 31

TM07 0866 1518

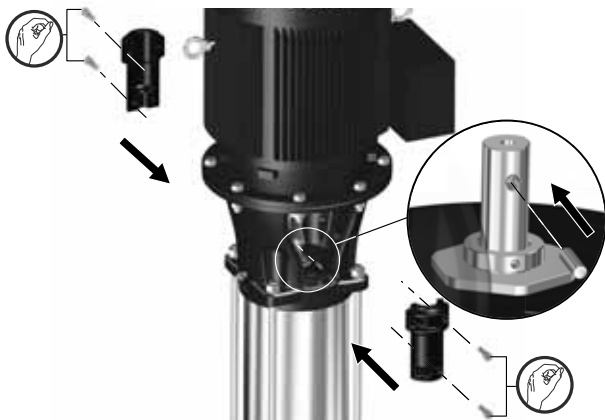


Fig. 32

TM07 1344 1518



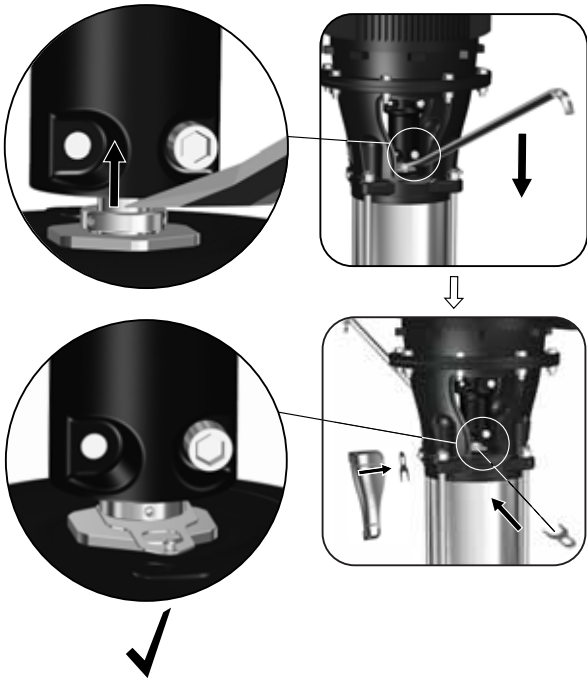


Fig. 33

TM07 0868 1418

Size	Torque [Nm]	Lubricant
M10	85	Un Lock (96611372)
M16	100	

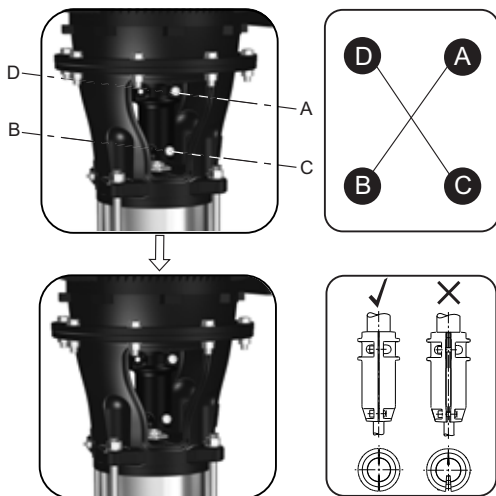


Fig. 34

TM07 0970 1718



Fig. 35

Size	Torque [Nm]
M5	4

TM07 0869 1418



Fig. 36

TM07 0870 1418



**Argentina**

Bombas GRUNDFOS de Argentina S.A.  
Phone: +54-3327 414 444  
Telefax: +54-3327 411 111

**Australia**

GRUNDFOS Pumps Pty. Ltd.  
Phone: +61-8-8461-4611  
Telefax: +61-8-8340 0155

**Austria**

GRUNDFOS Pumpen Vertrieb Ges.m.b.H.  
Tel.: +43-6246-883-0  
Telefax: +43-6246-883-30

**Belgium**

N.V. GRUNDFOS Bellux S.A.  
Tél.: +32-3-870 7300  
Télécopie: +32-3-870 7301

**Belarus**

Представительство ГРУНДФОС в Минске  
Тел.: +7 (375 17) 286 39 72, 286 39 73  
Факс: +7 (375-17) 286 39 71

**Bosnia and Herzegovina**

GRUNDFOS Sarajevo  
Phone: +387 33 592 480  
Telefax: +387 33 590 465  
www.ba.grundfos.com  
email: grundfos@bih.net.ba

**Brazil**

BOMBAS GRUNDFOS DO BRASIL  
Phone: +55-11 4393 5533  
Telefax: +55-11 4343 5015

**Bulgaria**

Grundfos Bulgaria EOOD  
Tel. +359 2 49 22 200  
Fax. +359 2 49 22 201

**Canada**

GRUNDFOS Canada Inc.  
Phone: +1-905 829 9533  
Telefax: +1-905 829 9512

**China**

GRUNDFOS Pumps (Shanghai) Co. Ltd.  
Phone: +86-021-612 252 22  
Telefax: +86-021-612 253 33

**COLOMBIA**

GRUNDFOS Colombia S.A.S.  
Phone: +57(1)-2913444  
Telefax: +57(1)-8764586

**Croatia**

GRUNDFOS CROATIA d.o.o.  
Phone: +385 1 6595 400  
Telefax: +385 1 6595 499

**GRUNDFOS Sales**

**Czechia and Slovakia s.r.o.**  
Phone: +420-585-716 111

**Denmark**

GRUNDFOS DK A/S  
Tlf.: +45-87 50 50 50  
E-mail:  
info\_GDK@grundfos.com  
www.grundfos.com/DK

**Estonia**

GRUNDFOS Pumps Eesti OÜ  
Tel: + 372 606 1690  
Fax: + 372 606 1691

**Finland**

OY GRUNDFOS Pumput AB  
Phone: +358-(0)207 889 500

**France**

Pompes GRUNDFOS Distribution S.A.  
Tél.: +33-4 74 82 15 15  
Télécopie: +33-4 74 94 10 51

**Germany**

GRUNDFOS GMBH  
Tel.: +49-(0) 211 929 69-0  
e-mail:  
infoservice@grundfos.de  
Service in Deutschland:  
e-mail:  
kundendienst@grundfos.de

**Greece**

GRUNDFOS Hellas A.E.B.E.  
Phone: +0030-210-66 83 400  
Telefax: +0030-210-66 46 273

**Hong Kong**

GRUNDFOS Pumps (Hong Kong) Ltd.  
Phone:  
+852-27861706/27861741  
Telefax: +852-27858664

**Hungary**

GRUNDFOS Hungária Kft.  
Phone: +36-23 511 110  
Telefax: +36-23 511 111

**India**

GRUNDFOS Pumps India Private Limited  
Phone: +91-44 4596 6800

**Indonesia**

PT GRUNDFOS Pompa  
Phone: +62 21-469 51900  
Telefax: +62-21-460 6910/460 6901

**Ireland**

GRUNDFOS (Ireland) Ltd.  
Phone: +353-1-4089 800  
Telefax: +353-1-4089 830

**Italy**

GRUNDFOS Pompe Italia S.r.l.  
Tel.: +39-02-95838112  
Telefax:  
+39-02-95309290/95838461

**Japan**

GRUNDFOS Pumps K.K.  
Phone: +81 53 428 4760  
Telefax: +81 53 428 5005

**Korea**

GRUNDFOS Pumps Korea Ltd.  
Phone: +82-2-5317 600  
Telefax: +82-2-5633 725

**Latvia**

SIA GRUNDFOS Pumps  
Latvia  
Tāl.: + 371 714 9640, 7 149  
641  
Fakss: + 371 914 9646

**Lithuania**

GRUNDFOS Pumps UAB  
Tel: + 370 52 395 430  
Fax: + 370 52 395 431

**Malaysia**

GRUNDFOS Pumps Sdn.  
Bhd.  
Phone: +60-3-5569 2922  
Telefax: +60-3-5569 2866

**Mexico**

Bombas GRUNDFOS de  
México S.A. de C.V.  
Phone: +52-81-8144 4000  
Telefax: +52-81-8144 4010

**Netherlands**

GRUNDFOS Netherlands  
Tel.: +31-88-478 6336  
Telefax: +31-88-478 6332 s

**New Zealand**

GRUNDFOS Pumps NZ Ltd.  
Phone: +64-9-415 3240  
Telefax: +64-9-415 3250

**Norway**

GRUNDFOS Pumper A/S  
Tlf.: +47-22 90 47 00  
Telefax: +47-22 32 21 50

**Poland**

GRUNDFOS Pompy Sp. z  
o.o.  
Tel: (+48-61) 650 13 00  
Fax: (+48-61) 650 13 50

**Portugal**

Bombas GRUNDFOS  
Portugal, S.A.  
Tel.: +351-21-440 76 00  
Telefax: +351-21-440 76 90

**Romania**

GRUNDFOS Pompe  
România SRL  
Phone: +40 21 200 4100  
E-mail:  
romania@grundfos.ro

**Russia**

ООО Грундфос Россия  
Тел. (+7) 495 737 30 00,  
564 88 00  
E-mail  
grundfos.moscow@grundfos.  
s.com

**Serbia**

Grundfos Srbija d.o.o.  
Phone: +381 11 2258 740  
Telefax: +381 11 2281 769

**Singapore**

GRUNDFOS (Singapore)  
Pte. Ltd.  
Phone: +65-6681 9688  
Telefax: +65-6681 9689

**Slovakia**

GRUNDFOS s.r.o.  
Phona: +421 2 5020 1426

**Slovenia**

GRUNDFOS LJUBLJANA,  
d.o.o.  
Phone: +386 (0) 1 568 06  
10  
Telefax: +386 (0) 1 568 06  
19

**South Africa**

GRUNDFOS (PTY) LTD  
Phone: (+27) 11 579 4800  
Fax: (+27) 11 455 6066  
E-mail:  
lsmart@grundfos.com

**Spain**

Bombas GRUNDFOS  
España S.A.  
Tel.: +34-91-848 8800  
Telefax: +34-91-628 0465

**Sweden**

GRUNDFOS AB  
Tel.: +46(0)771-32 23 00  
Telefax: +46(0)31-331 94 60

**Switzerland**

GRUNDFOS Pumpen AG  
Tel.: +41-44-806 8111  
Telefax: +41-44-806 8115

**Taiwan**

GRUNDFOS Pumps  
(Taiwan) Ltd.  
Phone: +886-4-2305 0868  
Telefax: +886-4-2305 0878

**Thailand**

GRUNDFOS (Thailand) Ltd.  
Phone: +66-2-725 8999  
Telefax: +66-2-725 8998

**Turkey**

GRUNDFOS POMPA San.  
ve Tic. Ltd. Sti.  
Phone: +90 - 262-679 7979  
Telefax: +90 - 262-679 7905  
E-mail: satis@grundfos.com

**Ukraine**

Бізнес Центр Європа  
Телефон: (+38 044) 237 04  
00  
Факс.: (+38 044) 237 04 01

**United Arab Emirates**

GRUNDFOS Gulf  
Distribution  
Phone: +971-4- 8815 166  
Telefax: +971-4-8815 136

**United Kingdom**

GRUNDFOS Pumps Ltd.  
Phone: +44-1525-850000  
Telefax: +44-1525-850011

**U.S.A.**

GRUNDFOS Pumps  
Corporation  
Phone: +1-913-227-3400  
Telefax: +1-913-227-3500

**Uzbekistan**

Grundfos Tashkent,  
Uzbekistan The  
Representative Office of  
Grundfos Kazakhstan in  
Uzbekistan  
Телефон: (+998) 71 150  
3290 / 71 150 3291  
Факс: (+998) 71 150 3292

Addresses revised  
05.12.2016

be think innovate

---

<b>99445766</b> 0618
----------------------

ECM: 1238027
--------------

The name Grundfos, the Grundfos logo, and **be think innovate** are registered trademarks owned by Grundfos Holding A/S or Grundfos A/S, Denmark. All rights reserved worldwide.

© Copyright Grundfos Holding A/S

[www.grundfos.com](http://www.grundfos.com)

**GRUNDFOS** 

Pumpland.ru