

## 70. SE

### SE1, SEV

#### 50/60 Hz

SE1.50 from 2.2 kW, SE1.80, SE1.100  
SEV.65 from 2.2 kW, SEV.80, SEV.100

#### Impeller-fixing parts

Pos.	Description	2-pole	2.2 - 4.0 kW	6.0 - 11 kW
		4-pole	1.1 - 2.2 kW	3.0 - 7.5 kW
		Kit No	96102365	96102366
9a	Key		1	1
66	Washer		1	1
157	Corrugated spring		1	1
188a	Screw		1	1

#### Single-channel impeller

Pos.	Description	Free passage	SE1.80	SE1.50	SE1.80	SE1.50	SE1.80	SE1.50	SE1.80	
		2-pole		2.2		3.0		4.0		
		4-pole	1.5		2.2		3.0		5.5	
		Cast iron	96091222	96091219	96091223	96091220	96091224	96091221	96091226	
49	Impeller		1	1	1	1	1	1	1	
49c	Wear ring for impeller		1	1	1	1	1	1	1	

Pos.	Description	Free passage	SE1.100	SE1.80	SE1.100	
		2-pole				
		4-pole		5.5	7.5	7.5
		Cast iron		96091229	96091227	96091230
49	Impeller		1	1	1	
49c	Wear ring for impeller		1	1	1	

#### SuperVortex impeller

Pos.	Description	Free passage	65	80	65	80	100	65.40/80.40	80.40
		2-pole	2.2		3.0	3.0		4.0	
		4-pole		2.2			3.0		4
		Cast iron	96886437	96812794	96886439	96886439	96886453	96886441	-
Stainless steel	-	97759200	-	-	97759206	-	97759201		
49	Impeller		1	1	1	1	1	1	

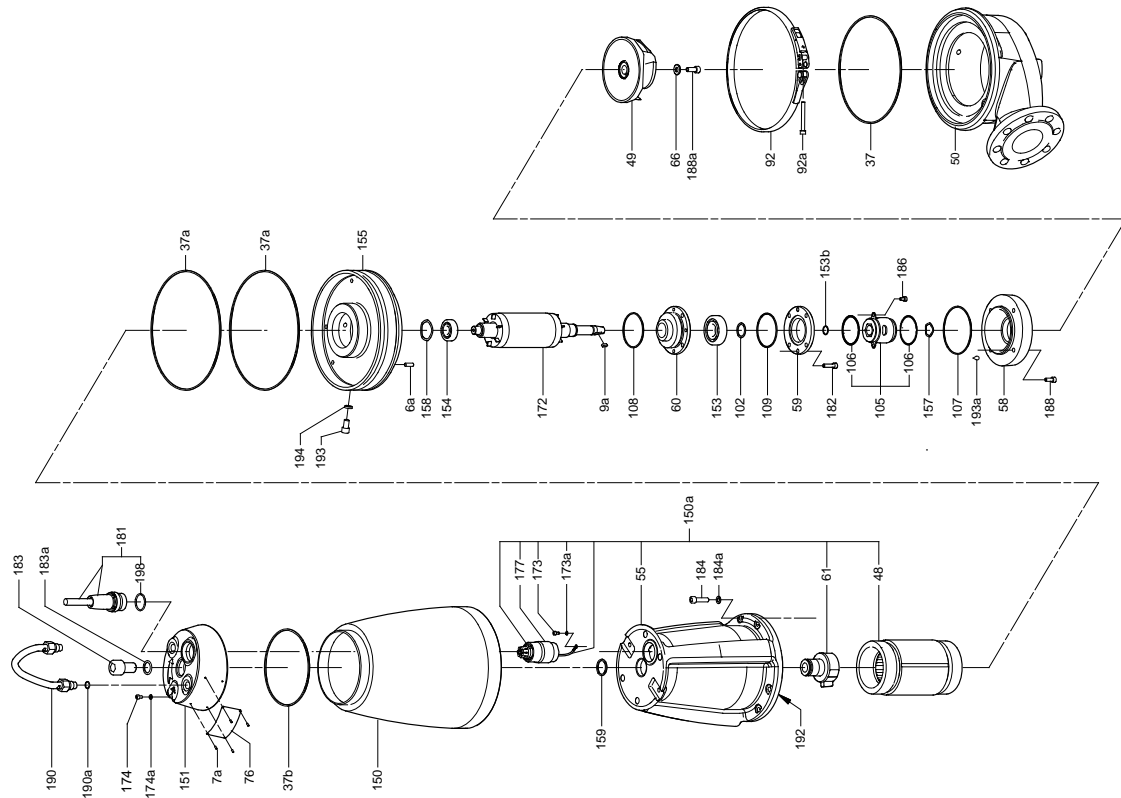
Pos.	Description	Free passage	100	100	80	100	80	80	
		2-pole							
		4-pole	4.0	5.5	6.0	7.5	7.5	9.2	11
		Cast iron	96886456	96882380	96812823	96812827	96882475	96812831	96812654
Stainless steel	97759207	97759208	97759202	97759203	97759209	97759204	97759205		
49	Impeller		1	1	1	1	1	1	

#### S-tube impeller

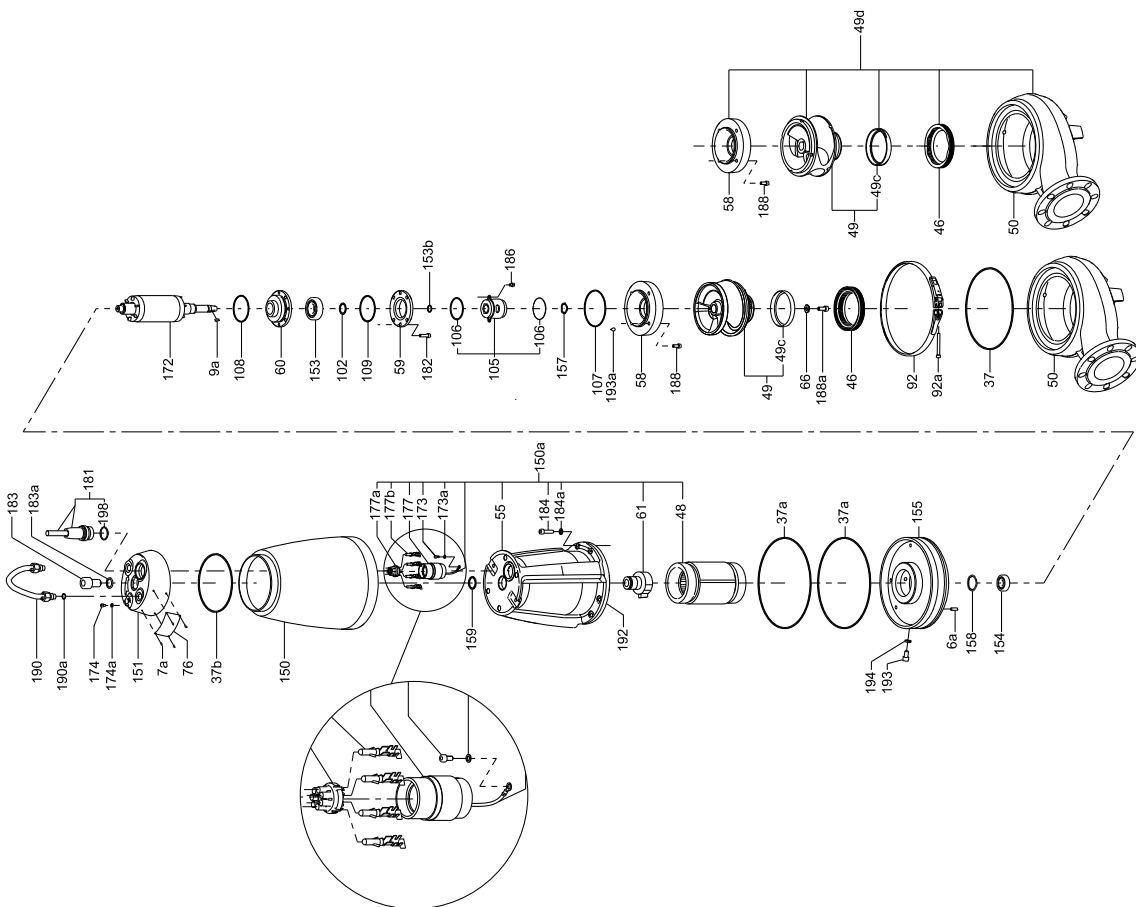
##### Tube impeller "Generation A"

Pos.	Description	SE1 100.75.4
		97783819
49	Impeller 50Hz SE1.100.75.4, tube catph.	1
49C	Wear ring for impeller SE1.100	1
58	Cover for oil chamber D, D235, catap	1

SEV



SE1



TM02 8449 0204

TM05 3247 1012

**Clamp**

Pos.	Description	2-pole	2.2-3.0 kW	4.0-7.5 kW	9.2-11 kW
		4-pole	1.1-2.2 kW	3.0-5.5 kW	7.5 kW
		Kit No	96592061	96592063	96592064
92	Clamp	1	1	1	1

**Guide shoe**

Pos.	Description	Outlet	DN 80	DN 80/100	DN 100	DN 100/150	DN 150
		Rubber type	NBR	NBR	NBR	NBR	NBR
		Kit No	96592058	96611611	96592056	96611613	96592060
-	Guide shoe	1	1	1	1	1	
-	SmartSeal	1	1	1	1	1	

**Shaft seal**

Pos.	Description	2-pole	2.2 - 4.0 kW		6.0 - 11 kW	
		4-pole	1.1 - 2.2 kW		3.0 - 7.5 kW	
		Rubber type	NBR	FKM	NBR	FKM
		Kit No	96102360	96635732	96102361	96635733
105	Shaft seal cartridge	1	1	1	1	
107	O-ring	110 x 3	1	1	-	-
		134.5 x 3	1	1	1	1
		160 x 3	-	-	1	1
153b	O-ring	17.0 x 2.4	1	1	-	-
		28 x 2	-	-	1	1
157	Corrugated spring	1	1	1	1	

**SmartSeal for auto coupling**

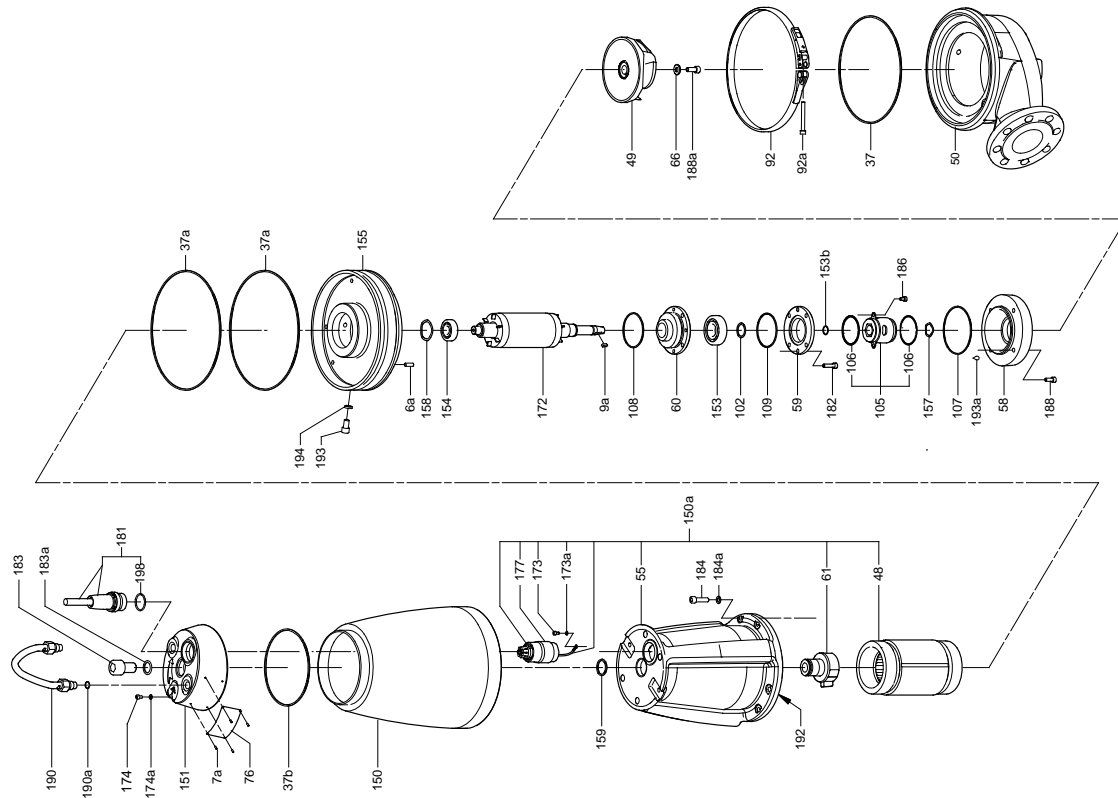
Description	Outlet	DN 65		DN 80/65		DN 80		DN 80/100	
	Rubber type	NBR	FKM	NBR	FKM	NBR	FKM	NBR	FKM
	Kit No	96575022	96659160	96575023	96659161	96575024	96659163	96575025	96659164
SmartSeal	1	1	1	1	1	1	1	1	1

Description	Outlet	DN 100		DN 100/150		DN 150	
	Rubber type	NBR	FKM	NBR	FKM	NBR	FKM
	Kit No	96575027	96659165	96575028	96659166	96575029	96659167
SmartSeal	1	1	1	1	1	1	1

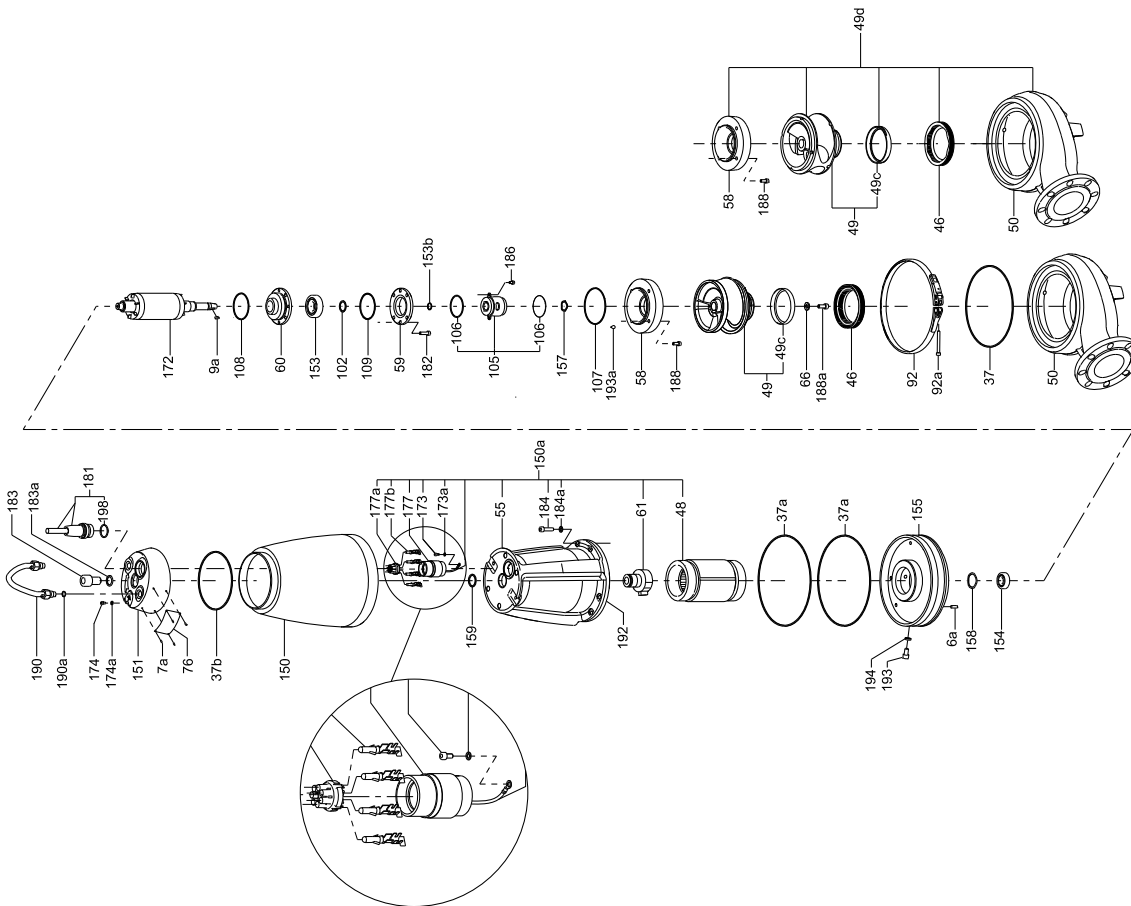
**Upper guide rail holder**

Pos.	Kit No	96592037	96829357	96592038	96829358
Description	DN 65/DN 80	DN 65/DN 80	DN 100/DN 150	DN 100/DN 150	
-	Upper guide rail holder	1	1	1	1
		Before 1044 cast iron	After 1044 st. steel	Before 1044 cast iron	After 1044 st. steel

SEV



SE1



TM02 8449 0204

TM05 3247 1012

**Bearing**

Pos.	Description	2-pole	2.2 - 3 kW	4 - 7.5 kW	9.2 - 11 kW
		4-pole	1.1 - 2.2 kW	3 - 5.5 kW	7.5 kW
		Kit No	96690703	96690704	96690705
153	Bearing		1	1	1
154	Bearing		1	1	1

**Lifting bracket**

Pos.	Description	2-pole	2.2 - 3 kW		6 - 7.5 kW		9.2 - 11 kW	
		4-pole	1.1 - 2.2 kW		3 - 5.5 kW		7.5 kW	
		Material	1.4301	1.4401	1.4301	1.4401	1.4301	1.4401
		Kit No	96690430	96690431	96690432	96690434	96690436	96690437
190	Lifting bracket		1	1	1	1	1	1

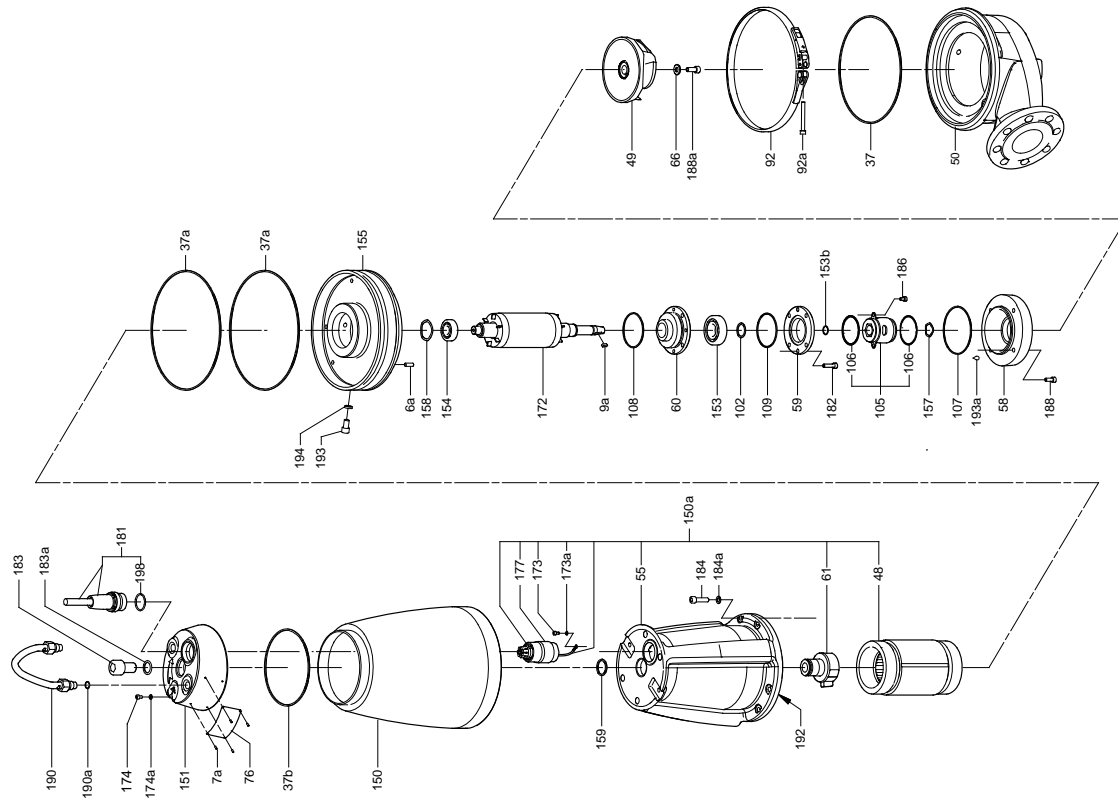
**O-ring**

Pos.	Description	2-pole	2.2 - 3 kW		4 kW		6 - 7.5 kW		9.2 - 11 kW	
		4-pole	1.1 - 2.2 kW		-		3 - 5.5 kW		7.5 kW	
		Rubber type	NBR	FKM	NBR	FKM	NBR	FKM	NBR	FKM
		Kit No	96102367	96788975	96102368	96788977	96102369	96788976	96102370	96788978
37	O-ring	250 x 4	1	1	-	-	-	-	-	-
		297 x 4	-	-	1	1	1	1	-	-
		330 x 4	-	-	-	-	-	-	1	1
37a	O-ring	285 x 4	2	2	-	-	-	-	-	-
		330 x 4	-	-	2	2	2	2	-	-
		346 x 4	-	-	-	-	-	-	2	2
37b	O-ring	185 x 4	1	1	-	-	-	-	-	-
		225 x 4	-	-	1	1	1	1	-	-
		250 x 4	-	-	-	-	-	-	1	1
102	O-ring	17.3 x 2.4	1	1	1	1	-	-	-	-
		28 x 2	-	-	-	-	1	1	1	1
106	O-ring	50 x 3	2	2	2	2	-	-	-	-
		62 x 3	-	-	-	-	2	2	2	2
107	O-ring	110 x 3	1	1	-	-	-	-	-	-
		134.5 x 3	-	-	1	1	1	1	-	-
		160 x 3	-	-	-	-	-	-	1	1
108	O-ring	80 x 3	1	1	-	-	-	-	-	-
		100 x 3	-	-	1	1	1	1	-	-
		120 x 3	-	-	-	-	-	-	1	1
109	O-ring	80 x 3	1	1	-	-	-	-	-	-
		100 x 3	-	-	1	1	1	1	1	1
159	O-ring	34 x 4	1	1	-	-	-	-	-	-
		41 x 4	-	-	1	1	1	1	1	1
183a	Washer	26/34 x 2	1	1	-	-	-	-	-	-
		33/38 x 2	-	-	1	1	1	1	1	1
194	Sealing washer	12.2/19 x 4.4	2	2	-	-	2	2	2	2
198	O-ring	34.2 x 3	1	1	-	-	-	-	-	-
		42.2 x 3	-	-	1	1	1	1	1	1

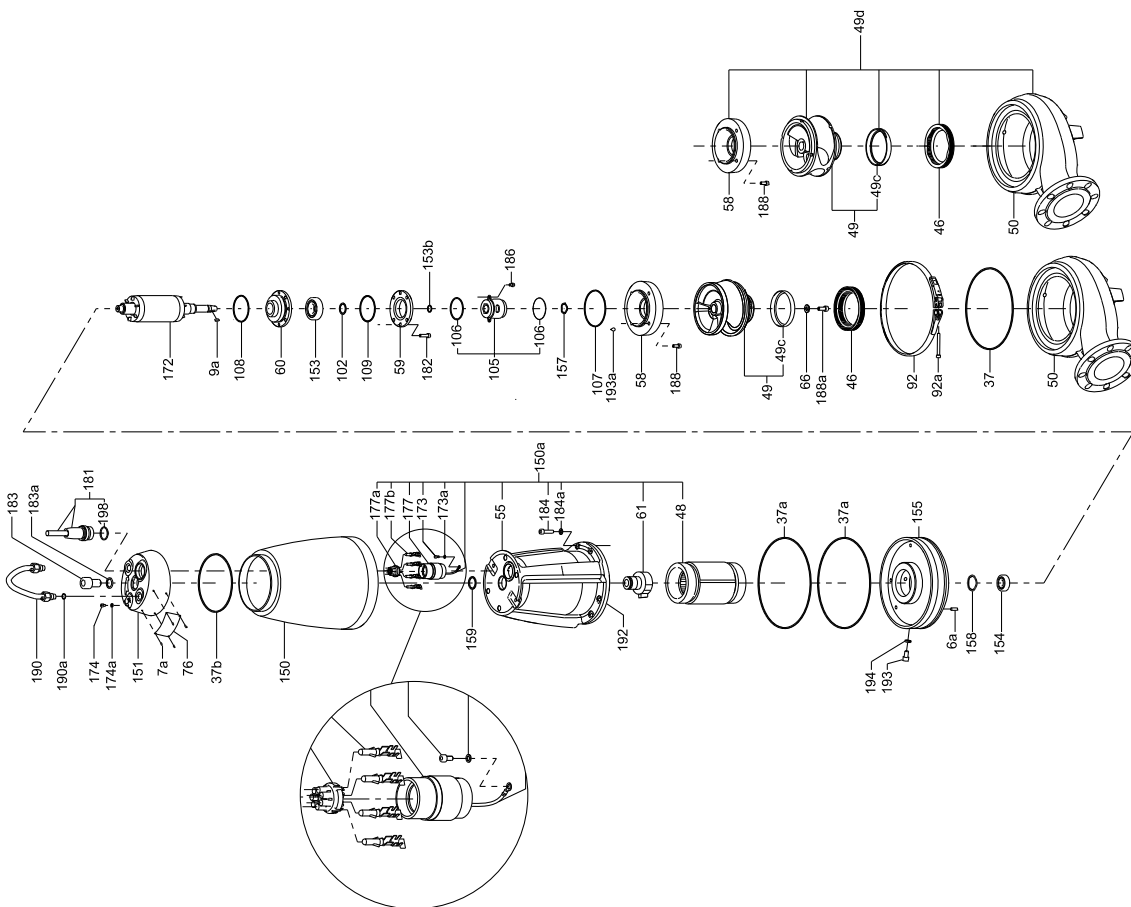
**Top bolt**

Pos.	Description	Size	M24	M30
		Kit No	96690572	96690573
183	Screw		1	1
183a	Washer		1	1

SEV



SE1



TM02 8449 0204

TM05 3247 1012

**Cable****2-pole: 2.2 - 3kW, 4-pole: 1.1 - 2.2kW**

Pos.	Length	10 m			15 m		
	Type	Standard	Ex	Screened Ex	Standard	Ex	Screened Ex
	Description						
181	Cable	96591649	96689976	96102486	96659473	96689977	96689980

Pos.	Length	20 m			25 m		
	Type	Standard	Ex	Screened Ex	Standard	Ex	Screened Ex
	Description						
181	Cable	96591660	96689978	96102488	96689953	96689979	96102489

**2-pole: 4 - 7.5 kW, 9.2 - 11kW, 4-pole: 3 - 5.5 kW, 7.5kW**

Pos.	Length	10 m							
	Type	Standard			Ex			Screened Ex D	Screened Ex Y
	Description	7G 2.5 + 3 x 1 mm <sup>2</sup>	4G 2.5 + 3 x 1 mm <sup>2</sup> D	4G 2.5 + 3 x 1 mm <sup>2</sup> Y	7G 2.5 + 3 x 1 mm <sup>2</sup>	4G 2.5 + 3 x 1 mm <sup>2</sup> D	4G 2.5 + 3 x 1 mm <sup>2</sup> Y	4 x 2.5 mm <sup>2</sup> + 3 x 1 mm <sup>2</sup>	4 x 2.5 mm <sup>2</sup> + 3 x 1 mm <sup>2</sup>
181	Cable	96689954	96689958	96689972	96102482	96102498	96102494	96102490	96769058

Pos.	Length	15 m							
	Type	Standard			Ex			Screened Ex D	Screened Ex Y
	Description	7G 2.5 + 3 x 1 mm <sup>2</sup>	4G 2.5 + 3 x 1 mm <sup>2</sup> D	4G 2.5 + 3 x 1 mm <sup>2</sup> Y	7G 2.5 + 3 x 1 mm <sup>2</sup>	4G 2.5 + 3 x 1 mm <sup>2</sup> D	4G 2.5 + 3 x 1 mm <sup>2</sup> Y	4 x 2.5 mm <sup>2</sup> + 3 x 1 mm <sup>2</sup>	4 x 2.5 mm <sup>2</sup> + 3 x 1 mm <sup>2</sup>
181	Cable	96689955	96689959	96689973	96102483	96102499	96102495	96102491	96769060

Pos.	Length	20 m							
	Type	Standard			Ex			Screened Ex D	Screened Ex Y
	Description	7G 2.5 + 3 x 1 mm <sup>2</sup>	4G 2.5 + 3 x 1 mm <sup>2</sup> D	4G 2.5 + 3 x 1 mm <sup>2</sup> Y	7G 2.5 + 3 x 1 mm <sup>2</sup>	4G 2.5 + 3 x 1 mm <sup>2</sup> D	4G 2.5 + 3 x 1 mm <sup>2</sup> Y	4 x 2.5 mm <sup>2</sup> + 3 x 1 mm <sup>2</sup>	4 x 2.5 mm <sup>2</sup> + 3 x 1 mm <sup>2</sup>
181	Cable	96689956	96689970	96689974	96102484	96102500	96102496	96102492	96769061

Pos.	Length	25 m							
	Type	Standard			Ex			Screened Ex D	Screened Ex Y
	Description	7G 2.5 + 3 x 1 mm <sup>2</sup>	4G 2.5 + 3 x 1 mm <sup>2</sup> D	4G 2.5 + 3 x 1 mm <sup>2</sup> Y	7G 2.5 + 3 x 1 mm <sup>2</sup>	4G 2.5 + 3 x 1 mm <sup>2</sup> D	4G 2.5 + 3 x 1 mm <sup>2</sup> Y	4 x 2.5 mm <sup>2</sup> + 3 x 1 mm <sup>2</sup>	4 x 2.5 mm <sup>2</sup> + 3 x 1 mm <sup>2</sup>
181	Cable	96689957	96689971	96689975	96102485	96102501	96102497	96102493	96769062

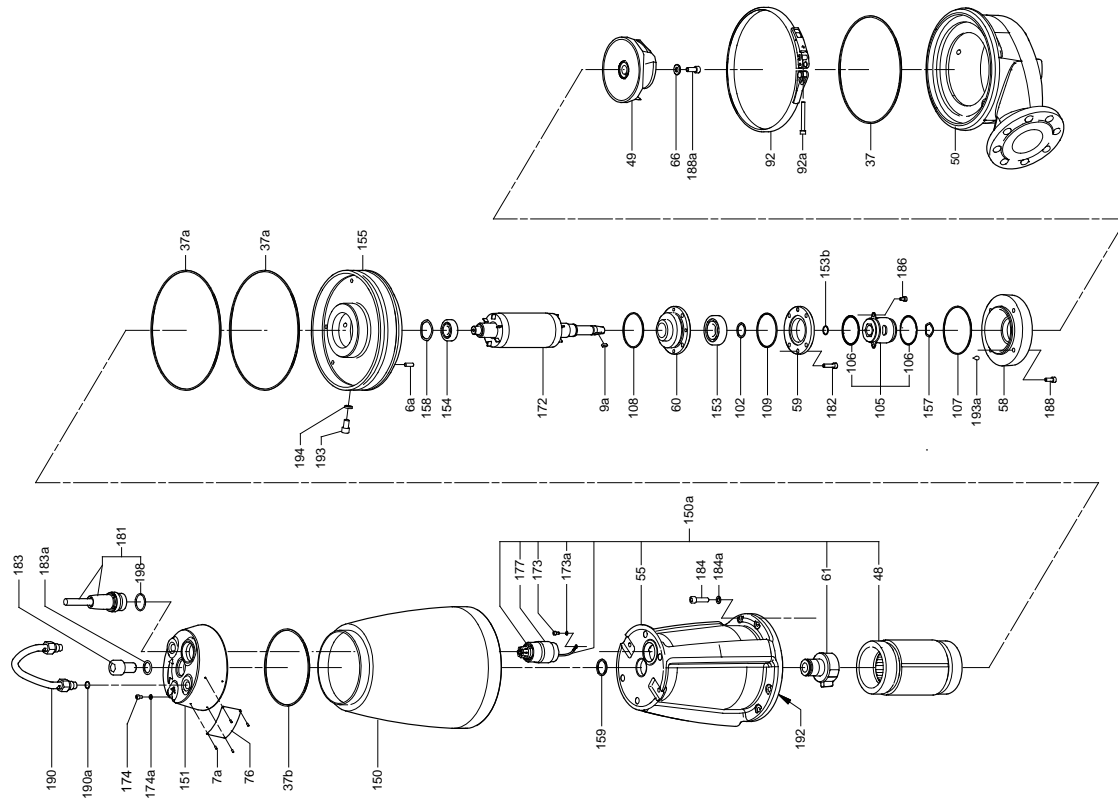
**Pin housing**

Pos.	Description	Kit No
177	Pin housing with 7 poles	96778908
	Pin housing with 10 poles	96778912

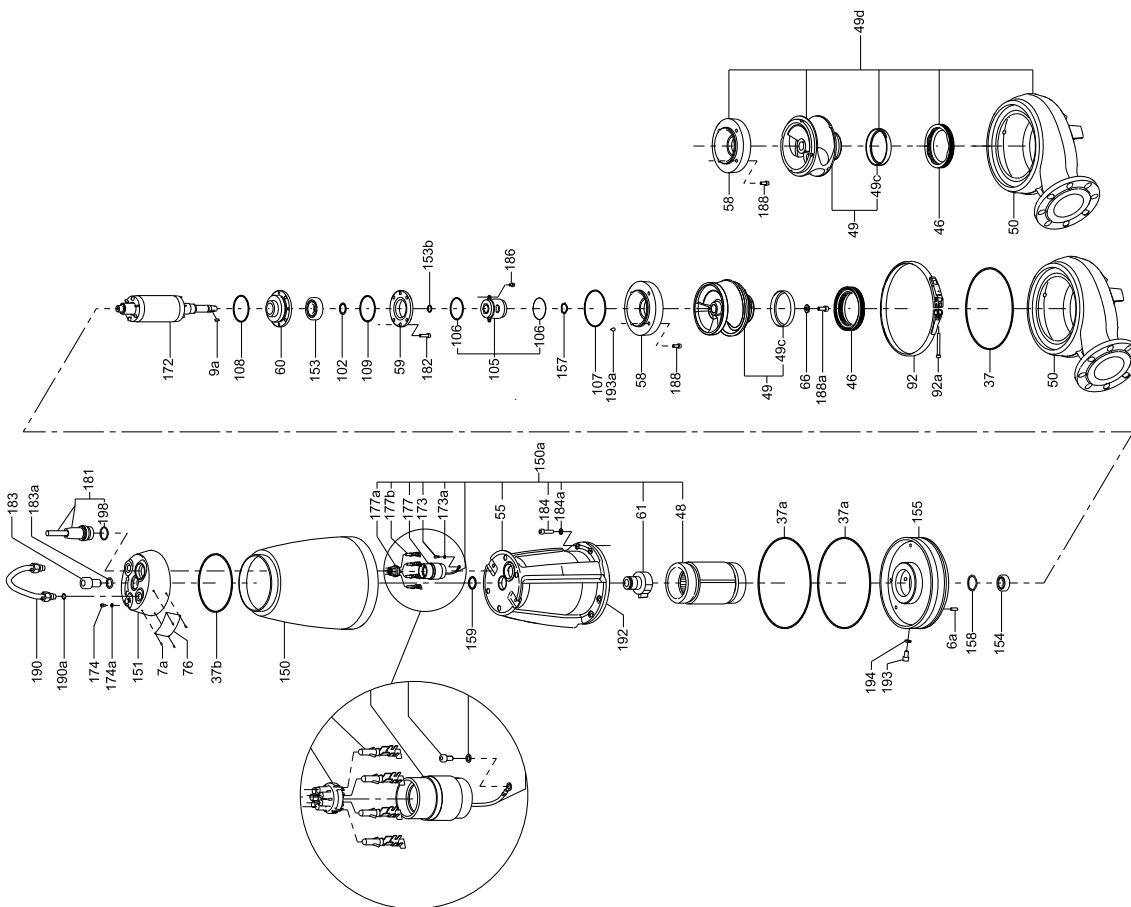
**WIO sensor**

Pos.	Description	2-pole	2.2 - 3 kW	6 - 7.5 kW	9.2 - 11 kW
		4-pole	1.1 - 2.2 kW	3 - 5.5 kW	7.5 kW
		Kit No	96617002	96617001	96616244
521	Disc, spring		4	4	4
	Rubber bush		1	1	1
	Sensor unit complete		1	1	1

SEV



SE1



TM02 8449 0204

TM05 3247 1012