

3. AP, APG

AP10

50 Hz, Models A and B

Wear parts

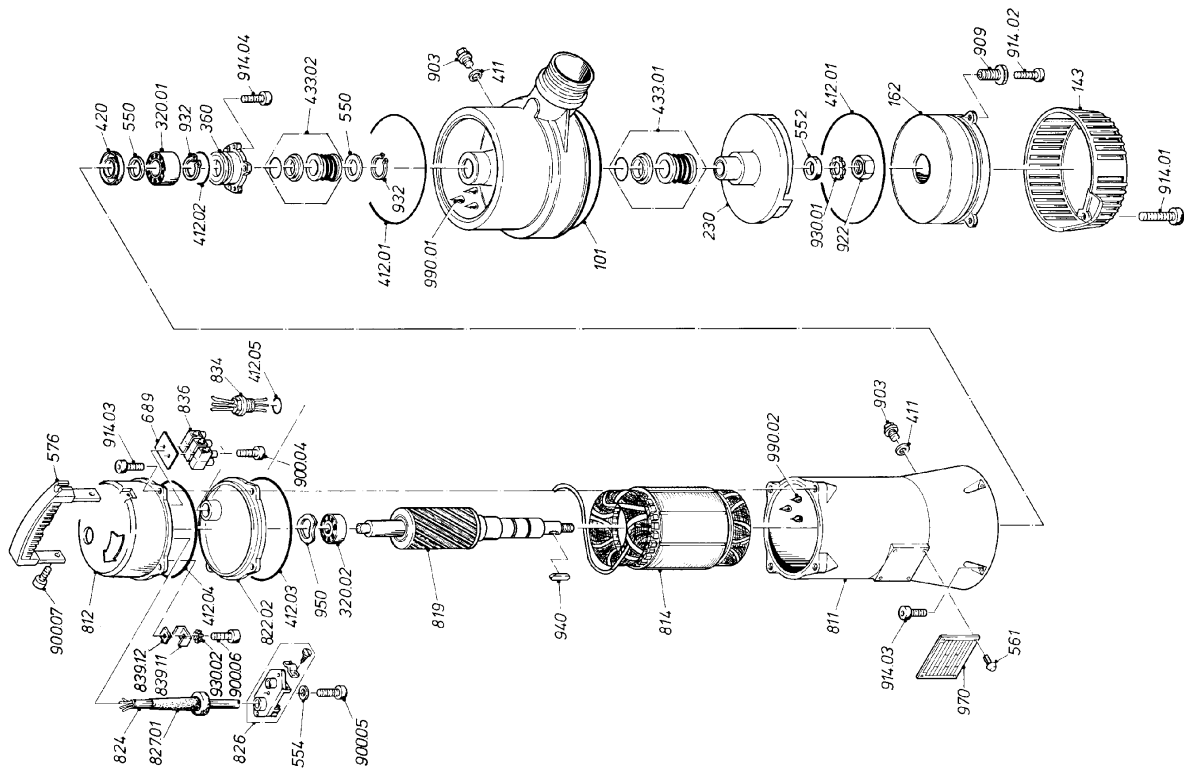
Pos.	Description
42V/433	1 shaft seal kit complete
412	1 O-ring kit
826	1 cable entry kit

Pump type	Model A	Model B
AP10.50.12.Ex	96003696	96007178
AP10.65.21	96003302	96007164

Oil

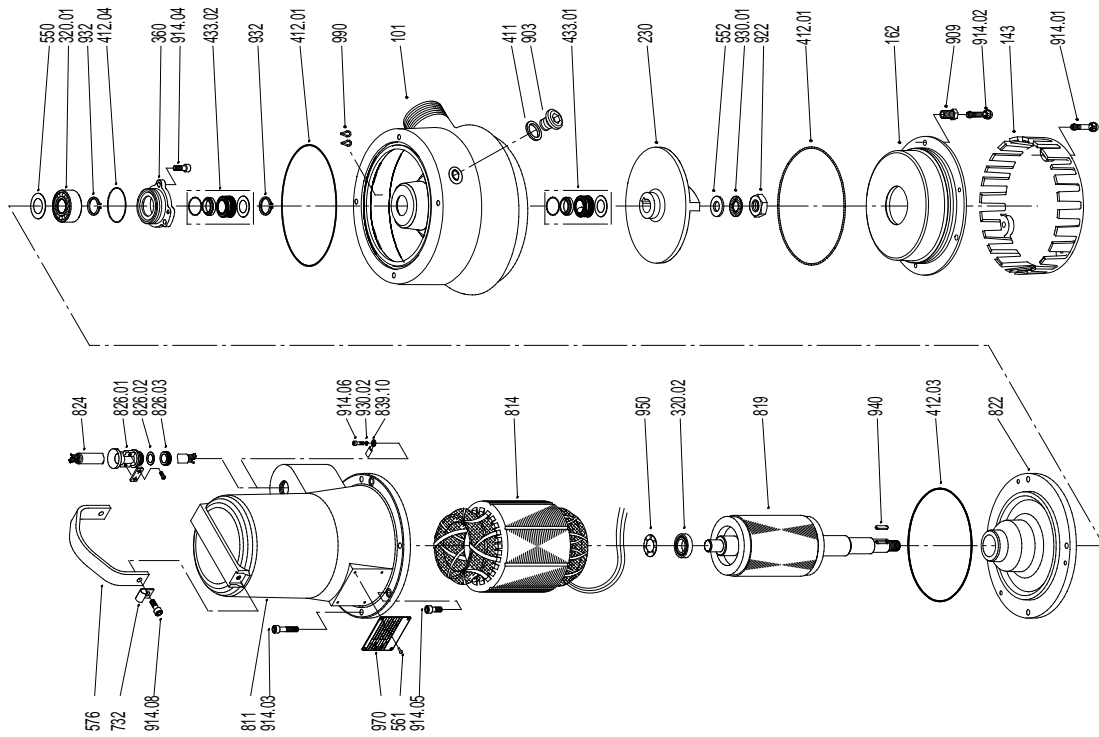
1 litre non-toxic oil, type Shell Ondina 15	96586753
---	----------

Model A



TM00 1961 2393

Model B



TM01 2537 2098

AP30**50/60 Hz, Models A and B****Wear parts**

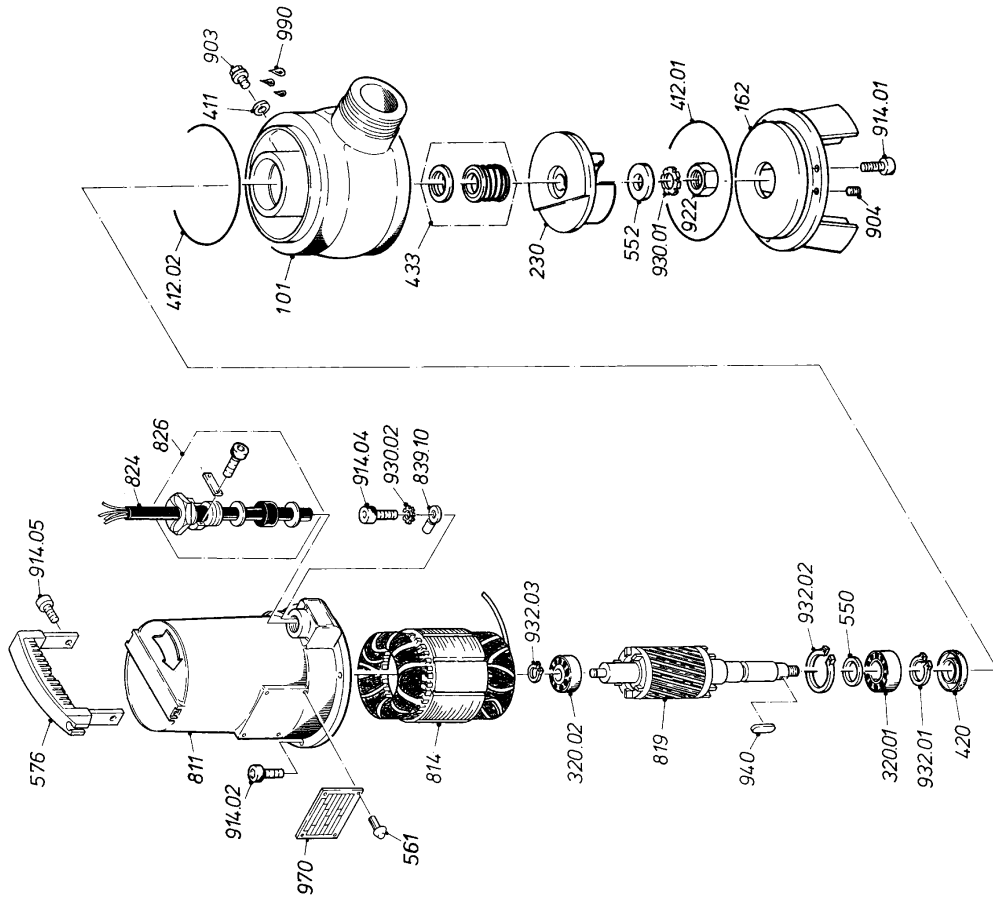
Pos.	Description
420/433	1 shaft seal kit complete
412	1 O-ring kit
826	1 cable entry kit

Pump type	Model A	Model B
Non-explosion-proof pumps, 50 Hz	96003300	96003300
Explosion-proof pumps, 50 Hz	96003696	96007178
Non-explosion-proof pumps, 60 Hz	96003300	96003300

Oil

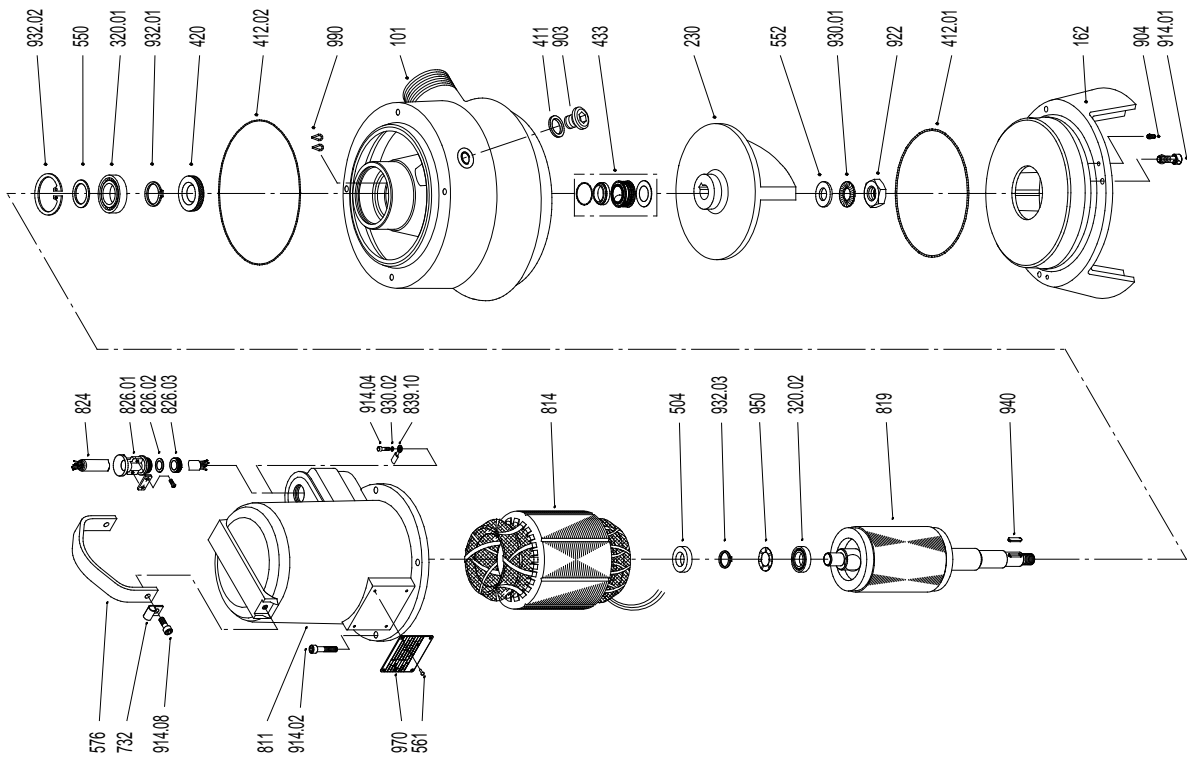
1 litre non-toxic oil, type Shell Ondina 15	96586753
--	-----------------

Model A



TM00 1963 2393

Model B



TM01 2549 2098

AP51**50 Hz****Wear parts**

Pos.	Description
420/433	1 shaft seal kit complete
412	1 O-ring kit
826	1 cable entry kit

Pump type	Model A	Model B
50 Hz		
AP51.65.07	96003300	96003300
AP51.65.12	96003300	96003300
AP51.65.17	96003302	96007164
AP51.65.17.3 ★	96003692	96007175
AP51.65.22.3	96003302	96007164
AP51.65.22.3 ★	96003692	96007175
AP51.65.22.3.EX	96003303	96007165
60 Hz		
AP51.65.09	96003300	96003300
AP51.65.13	96003300	96003300
AP51.65.14	96003300	96003300
AP51.65.15.3	96003300	96003300
AP51.65.15.3 V	96003302	96007164
AP51.65.22	96003302	96007164
AP51.65.23	96003302	96007164
AP51.65.34	96003691	96007164
AP51.65.35	96003691	96007164
AP51.65.36	96003691	96007164

★ With temperature sensors in the motor windings.

Oil

1 litre non-toxic oil, type Shell Ondina 15	96586753
---	----------

Thermal contact for three-phase motors

Thermal contact	96005389
-----------------	----------

Including three thermal switches for 140 °C and tape (class F)

Control box

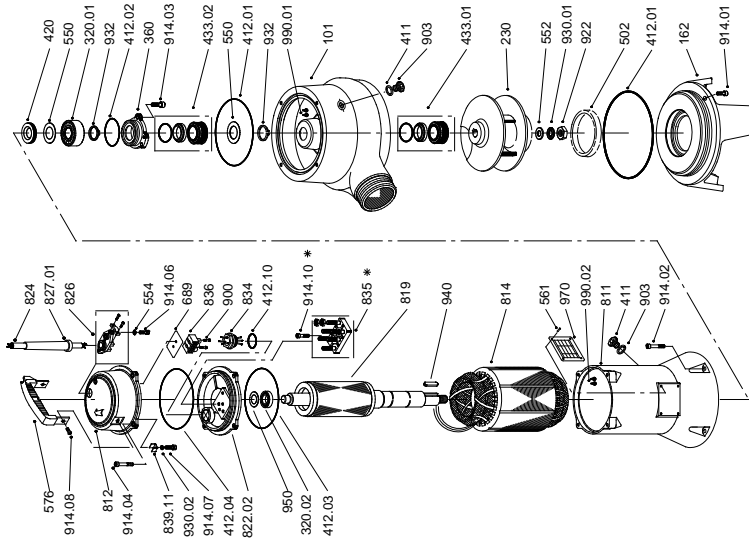
Product numbers for control boxes include these parts:

AP51.xx.xx.xA: 1 control box
 10 m cable for float switch
 1 float switch.

Other pumps: 1 control box
 (without relays for float switch).

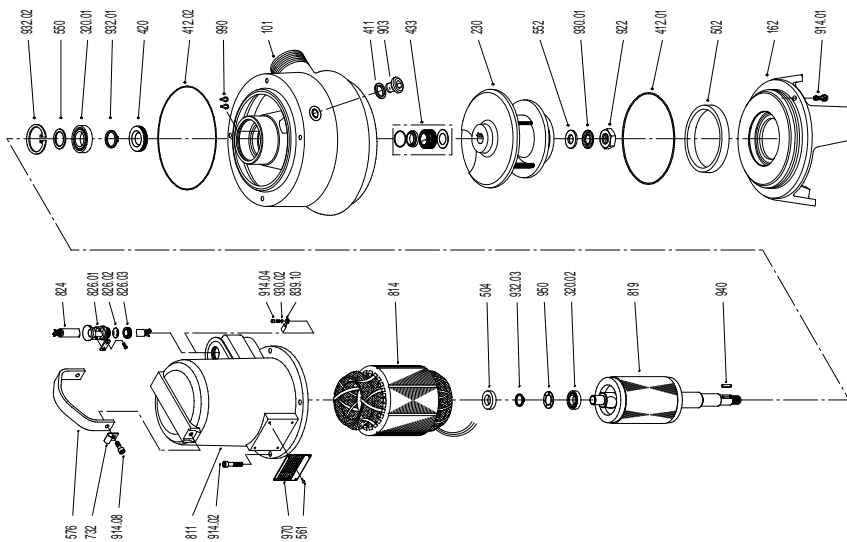
Pump type	Voltage (V)	Control box	Schuko plug	CEE plug
AP51.65.07	1 x 230	96001371		
AP51.65.07.A1	1 x 230	96003035		
AP51.65.07.A1	1 x 230	96001420		
AP51.65.07.A3	3 x 400	96003029		
AP51.65.07.A3	3 x 230	96003322		
AP51.65.07.A3	3 x 400	96001426		
AP51.65.09.1	1 x 230	96003681		
AP51.65.09.A1	1 x 230	96003682		
AP51.65.12.1	1 x 230	96001418		
AP51.65.12.A1	1 x 230	96003340		
AP51.65.12.A1	1 x 230	96001419		
AP51.65.12.A3	3 x 400	96003034		
AP51.65.12.A3	3 x 230	96003322		
AP51.65.12.A3	3 x 400	96001427		
AP51.65.13.1	1 x 230	96003683		
AP51.65.13.A1	1 x 230	96003684		
AP51.65.14.1V	1 x 230	96003683		
AP51.65.14.A1V	1 x 230	96003684		

AP51.65.17-23, model A



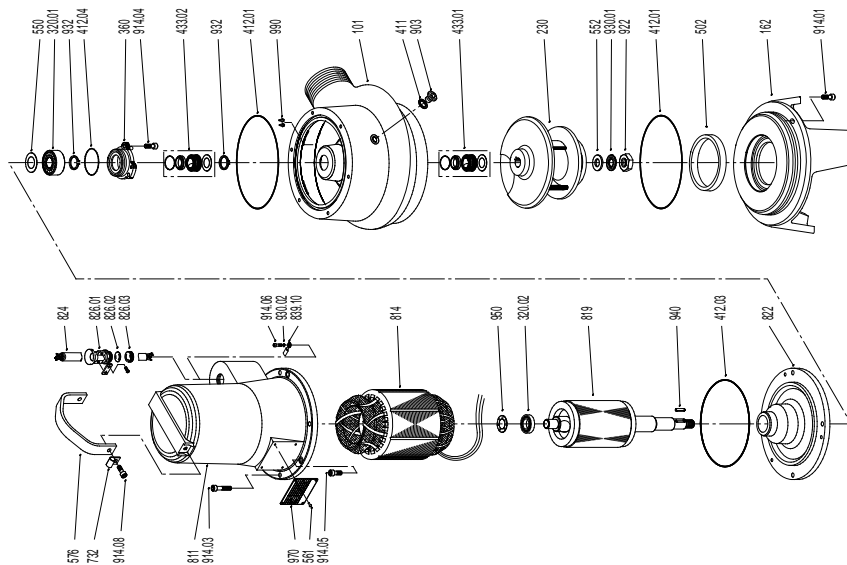
TM00 7135 5 198

AP51.65.07-12, model B



TM01 2562 2098

AP51.65.17-22, model B



TM01 2563 2098

AP65

Wear parts

Pos.	Description
433	1 shaft seal kit complete
412	1 O-ring kit
826	1 cable entry kit

Pump type	Wear parts	Wear parts
AP65.65.09.1.V	96003300	
AP65.65.09.3.V	96003300	
AP65.65.12.3.V	96003300	
AP65.65.12.1.V	96003300	
	With moisture sensors	Without moisture sensors
AP65.100.24.V	96007162	96007162
AP65.100.32.V	96007162	96007162
AP65.100.45.V	96007162	96007162
AP65.100.61.V	96007162	96007162
AP65.100.130.V	96003818	96003817
AP65.100.24.V.Ex	96007162	96007162
AP65.100.32.V.Ex	96007162	96007162
AP65.100.45.V.Ex	96007162	96007162
AP65.100.61.V.Ex	96007162	96007162
AP65.100.130.V.Ex	96003821	96003820

Oil

1 litre non-toxic oil, type Shell Ondina 15	96586753
---	-----------------

Thermal contact for three-phase motors

Thermal contact	96005389
-----------------	-----------------

Including three thermal switches for 140 °C and tape (class F)

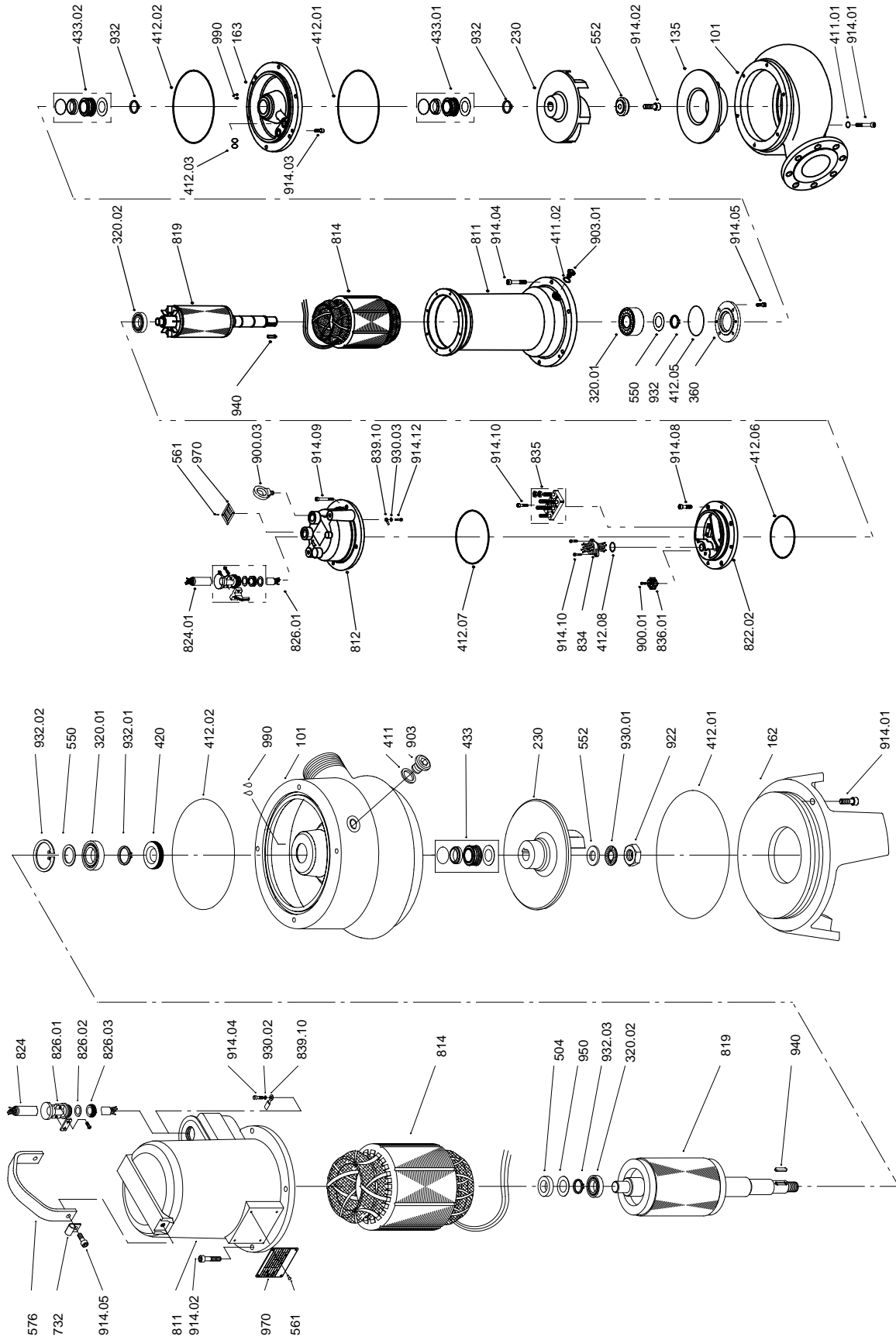
Control box

Product numbers of control boxes include these parts:

- 1 control box
- 10 m cable for float switch
- 1 float switch.

Pump type	Voltage (V)	Control box	Schuko plug	CEE plug
AP65.65.09.A1.V	1 x 230	96421305		
AP65.65.09.A3.V	3 x 230	96003322		
AP65.65.09.A3.V	3 x 400	96003029		
AP65.65.12.A1.V	1 x 230	96001419		
AP65.65.12.A3.V	3 x 230	96003323		
AP65.65.12.A3.V	3 x 400	96003034		

AP65



TM01 6302 2199

TM01 2134 1298

AP70**50 Hz, Models A and B****Wear parts**

Pos.	Description
433	1 shaft seal kit complete
412	1 O-ring kit
826	1 cable entry kit

Pump type	Model A	Model B
AP70.80.09.3	96003304	96007166
AP70.80.09.3 ★	96003693	96007176
AP70.80.09.3.Ex	96003305	96007167
AP70.80.13.3	96003304	96007166
AP70.80.13.3 ★	96003693	96007176
AP70.80.13.3.Ex	96003305	96007167
AP70.80.19.3	96003306	96007168
AP70.80.19.3 ★	96003694	96007177
AP70.80.19.3.Ex	96003307	96007163
AP70.80.24.3	96003306	96007168
AP70.80.24.3 ★	96003694	96007177
AP70.80.24.3.Ex	96003307	96007163

★ With temperature sensors in the motor windings.

Oil

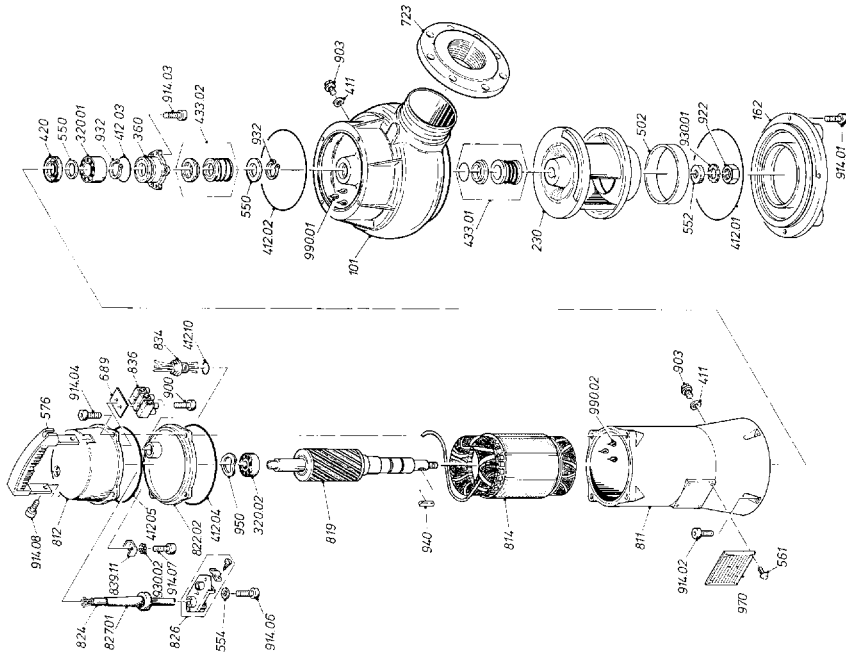
1 litre non-toxic oil, type Shell Ondina 15	96586753
---	----------

Thermal contact for three-phase motors

Thermal contact	96005389
-----------------	----------

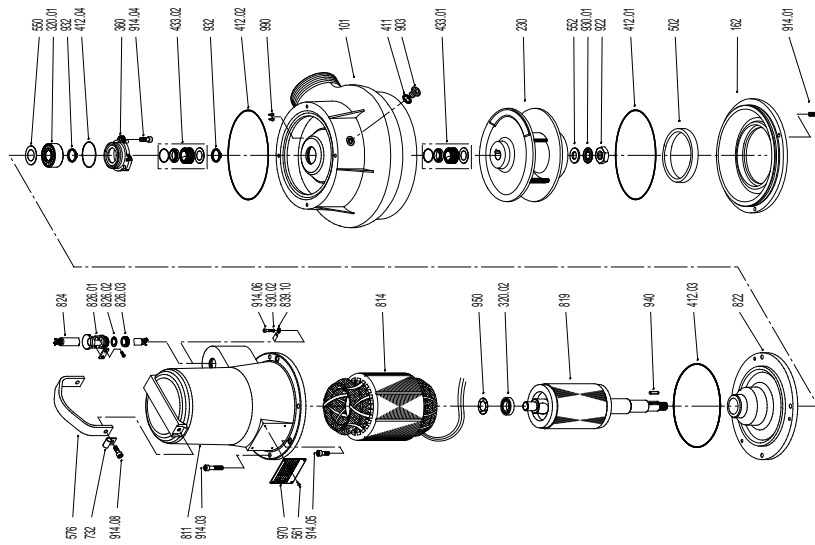
Including three thermal switches for 140 °C and tape (class F)

AP70.80.09-13, model A



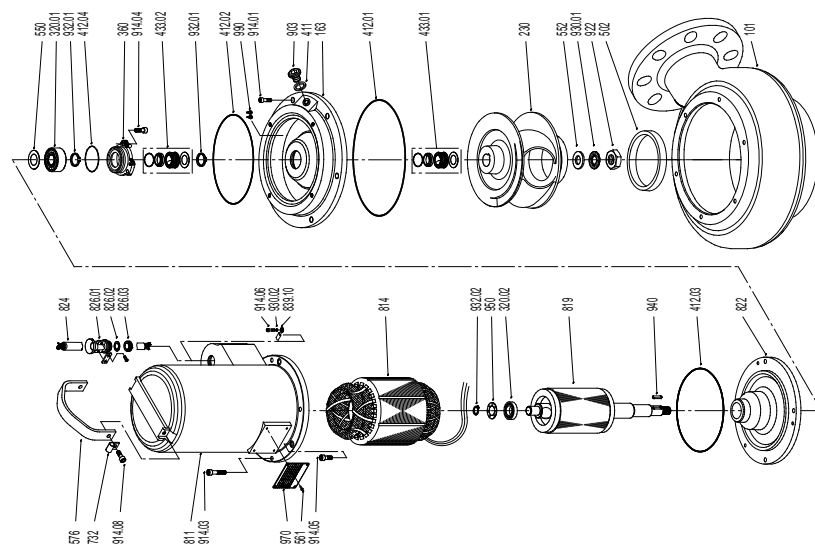
TM00 1973 2393

AP70.80.09-13, model B



TM01 2577 2098

AP70.80.19-24, model B



TM01 2578 2098

AP80**50/60 Hz****Wear parts**

Pos.	Description
411	Cable entry
412	O-rings
433	Shaft seal
502	Neck ring
826	Cable entry (only 60 Hz)
903	Oil-filling screw (only 50 Hz)

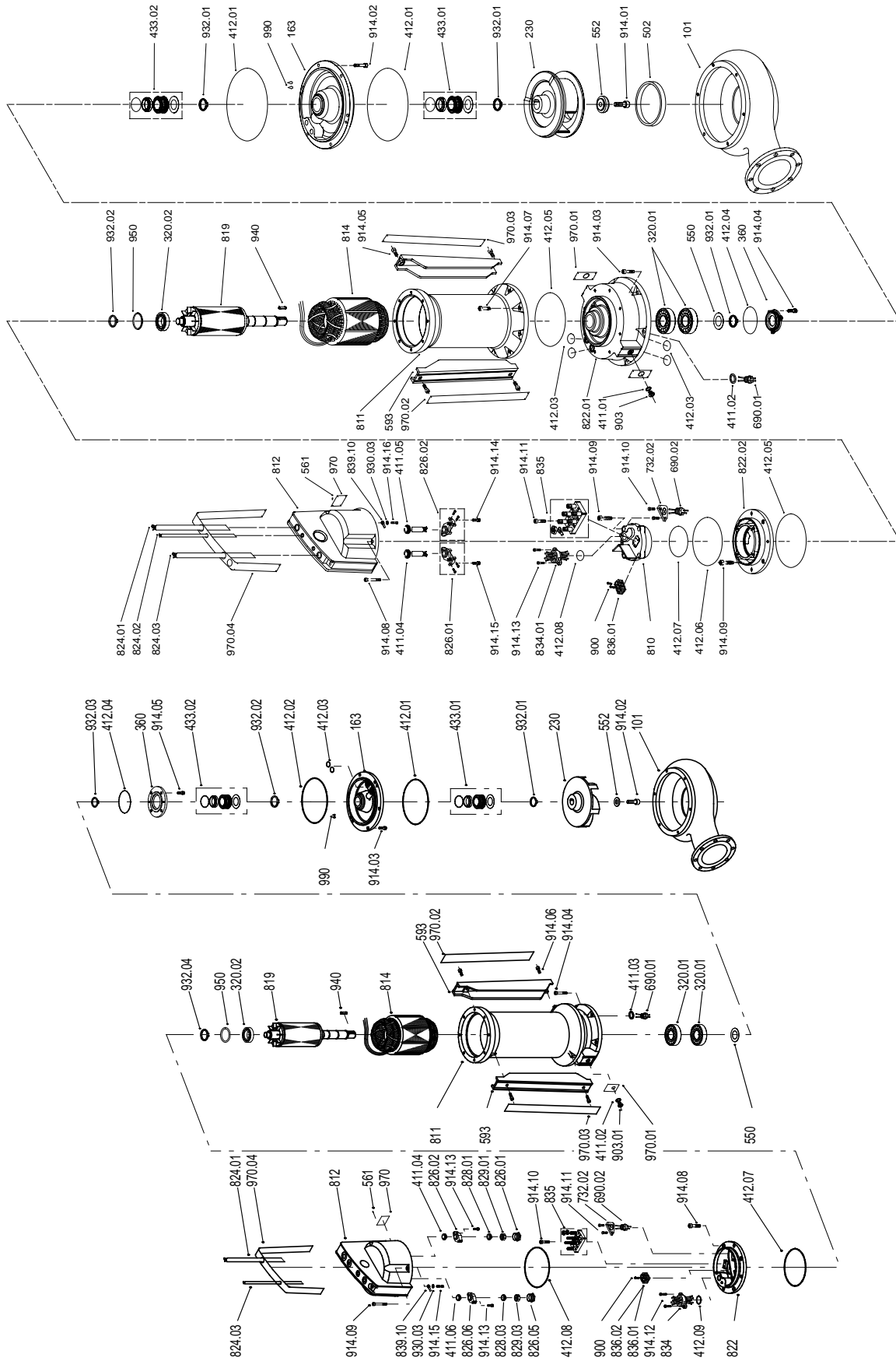
50 Hz

Pump type	With moisture sensors	Without moisture sensors	Dry installation D	Dry horizontal installation DH
AP80.100.107	96005378	96005377	96005379	96005379
AP80.150.250	96004008	96004008	96004009	96004009
AP80.150.300	96004008	96004008	96004009	96004009
AP80.150.330	96004008	96004008	96004009	96004009
AP80.150.350	96004014	96004014	96004015	96004015
AP80.150.370	96004014	96004014	96004015	96004015
AP80.150.450	96004014	96004014	96004015	96004015
AP80.100.107.Ex	96005380	96005377	96005381	96005381
AP80.150.250.Ex	96004008	96004008	96004009	96004009
AP80.150.300.Ex	96004008	96004008	96004009	96004009
AP80.150.330.Ex	96004008	96004008	96004009	96004009
AP80.150.350.Ex	96004014	96004014	96004015	96004015
AP80.150.370.Ex	96004014	96004014	96004015	96004015
AP80.150.450.Ex	96004014	96004014	96004015	96004015

60 Hz

Pump type	3 x 230 V	3 x 380 V	3 x 440 V	3 x 460 V
AP80.100.15	96005368	96005368	96005368	96005368
AP80.100.21	96005368	96005368	96005368	96005368
AP80.100.27	96005368	96005368	96005368	96005368
AP80.100.35	96005368	96005368	96005368	96005368
AP80.100.47	96005368	96005368	96005368	96005368
AP80.100.65	96005369	96005370	96005370	96005370
AP80.100.74	96005369	96005370	96005370	96005370
AP80.100.87	96005371	96005372	96005372	96005372
AP80.100.107	96005373	96005371	96005372	96005372

AP80



TM01 1734 5197

TM01 6184 1699

With vortex impeller

Pos.	Description
411	Cable entry
412	O-rings
433	shaft seal
826	Cable entry
828	Sealing ring (only: 96005382 - 88)

50 Hz

Pump type	Non-explosion-proof version		Explosion-proof version	
AP80.80.10.V	96005375		96005376	
AP80.80.13.V	96005375		96005376	
AP80.80.20.V	96005375		96005376	
AP80.80.26.V	96005375		96005376	
Pump type	With moisture sensors	Without moisture sensors	Dry installation D	Dry horizontal installation DH
AP80.80.48.V	96005378	96005377	96005379	96005379
AP80.80.65.V	96005378	96005377	96005379	96005379
AP80.80.92.V	96005378	96005377	96005379	96005379
AP80.80.107.V	96005378	96005377	96005379	96005379
AP80.80.160.V	96005383	96005382	96005385	96005385
AP80.80.190.V	96005383	96005382	96005385	96005385
AP80.80.250.V	96005384	96005382	96005386	96005386
AP80.80.48.V.Ex	96005380	96005377	96005381	96005381
AP80.80.65.V.Ex	96005380	96005377	96005381	96005381
AP80.80.92.V.Ex	96005380	96005377	96005381	96005381
AP80.80.107.V.Ex	96005380	96005377	96005381	96005381
AP80.80.160.V.Ex	96005387	96005387	96005388	96005388
AP80.80.190.V.Ex	96005387	96005387	96005388	96005388
AP80.80.250.V.Ex	96005387	96005387	96005388	96005388

Oil

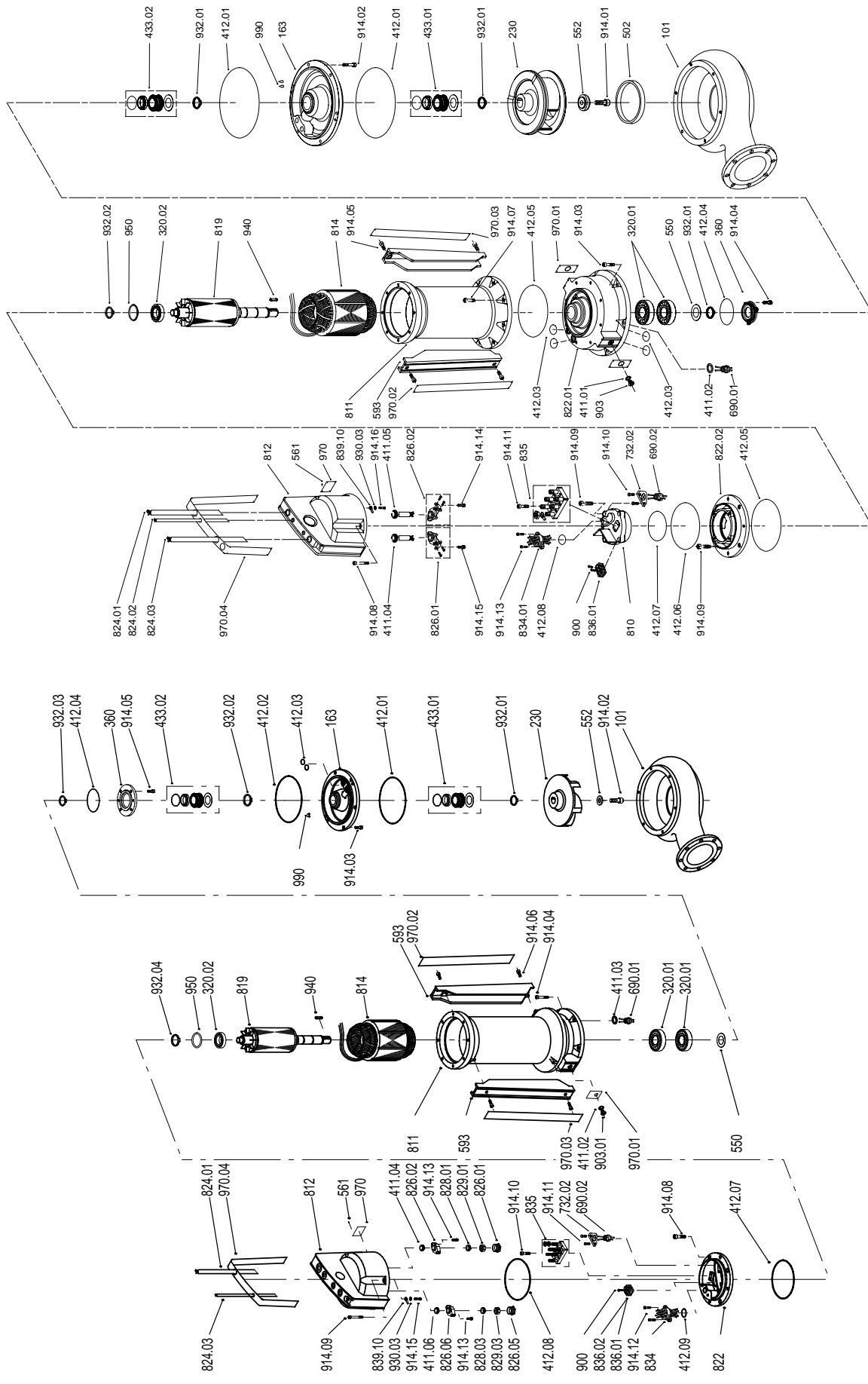
1 litre non-toxic oil, type Shell Ondina 15	96586753
--	-----------------

Thermal contact for three-phase motors

Thermal contact	96005389
------------------------	-----------------

Including three thermal switches for 140 °C and tape (class F)

AP80



TM01 1734 5197

TM01 6184 1699

AP100**50 Hz****Wear parts**

Up to: AP100.150.170	
Pos.	Description
412	1 O-ring kit
433.01	1 shaft seal kit complete
433.02	1 secondary shaft seal kit
502	Neck ring
826	1 cable entry

From: AP100.150.220	
Pos.	Description
411	1 rubber bush for cable entry
412	1 O-ring kit
433	1 shaft seal kit complete
433	1 secondary shaft seal kit
502	1 neck ring
903	1 oil-filling screw

Pump type	With moisture sensors	Without moisture sensors	Dry installation D	Dry horizontal installation DH
AP100.100.24	96007162	96007162	96002277	96002277
AP100.100.32	96007162	96007162	96002278	96002278
AP100.100.45	96007162	96007162	96002278	96002278
AP100.100.54	96007162	96007162	96002278	96002278
AP100.100.61	96007162	96007162	96002278	96002278
AP100.100.80	96003818	96003816	96003819	96003819
AP100.100.115	96003818	96003817	96003819	96003819
AP100.100.130	96003818	96003817	96003819	96003819
AP100.100.135	96003818	96003817	96003819	96003819
AP100.150.80	96003818	96003816	96003819	96003819
AP100.150.115	96003818	96003817	96003819	96003819
AP100.150.130	96003818	96003817	96003819	96003819
AP100.150.170	96003818	96003817	96003819	96003819
AP100.150.220	96004008	96004008	96004009	96004009
AP100.150.260	96004008	96004008	96004009	96004009
AP100.150.300	96004008	96004008	96004009	96004009
AP100.150.330	96004008	96004008	96004009	96004009
AP100.200.170	96004010	96004010	96004011	96004011
AP100.200.200	96004010	96004010	96004011	96004011
AP100.200.220	96004010	96004010	96004011	96004011
AP100.200.250	96004010	96004010	96004011	96004011
AP100.100.24.Ex	96007162	96007162	96002279	96002279
AP100.100.32.Ex	96007162	96007162	96002280	96002280
AP100.100.45.Ex	96007162	96007162	96002280	96002280
AP100.100.54.Ex	96007162	96007162	96002280	96002280
AP100.100.61.Ex	96007162	96007162	96002280	96002280
AP100.100.80.Ex	96003821	96003820	96003822	96003822
AP100.100.115.Ex	96003821	96003820	96003822	96003822
AP100.100.130.Ex	96003821	96003820	96003822	96003822
AP100.100.135.Ex	96003821	96003820	96003822	96003822
AP100.150.80.Ex	96003821	96003820	96003822	96003822
AP100.150.115.Ex	96003821	96003820	96003822	96003822
AP100.150.130.Ex	96003821	96003820	96003822	96003822
AP100.150.170.Ex	96003821	96003820	96003822	96003822
AP100.150.220.Ex	96004008	96004008	96004009	96004009
AP100.150.260.Ex	96004008	96004008	96004009	96004009
AP100.150.300.Ex	96004008	96004008	96004009	96004009
AP100.150.330.Ex	96004008	96004008	96004009	96004009
AP100.200.170.Ex	96004010	96004010	96004011	96004011
AP100.200.200.Ex	96004010	96004010	96004011	96004011
AP100.200.220.Ex	96004010	96004010	96004011	96004011
AP100.200.250.Ex	96004010	96004010	96004011	96004011

Oil

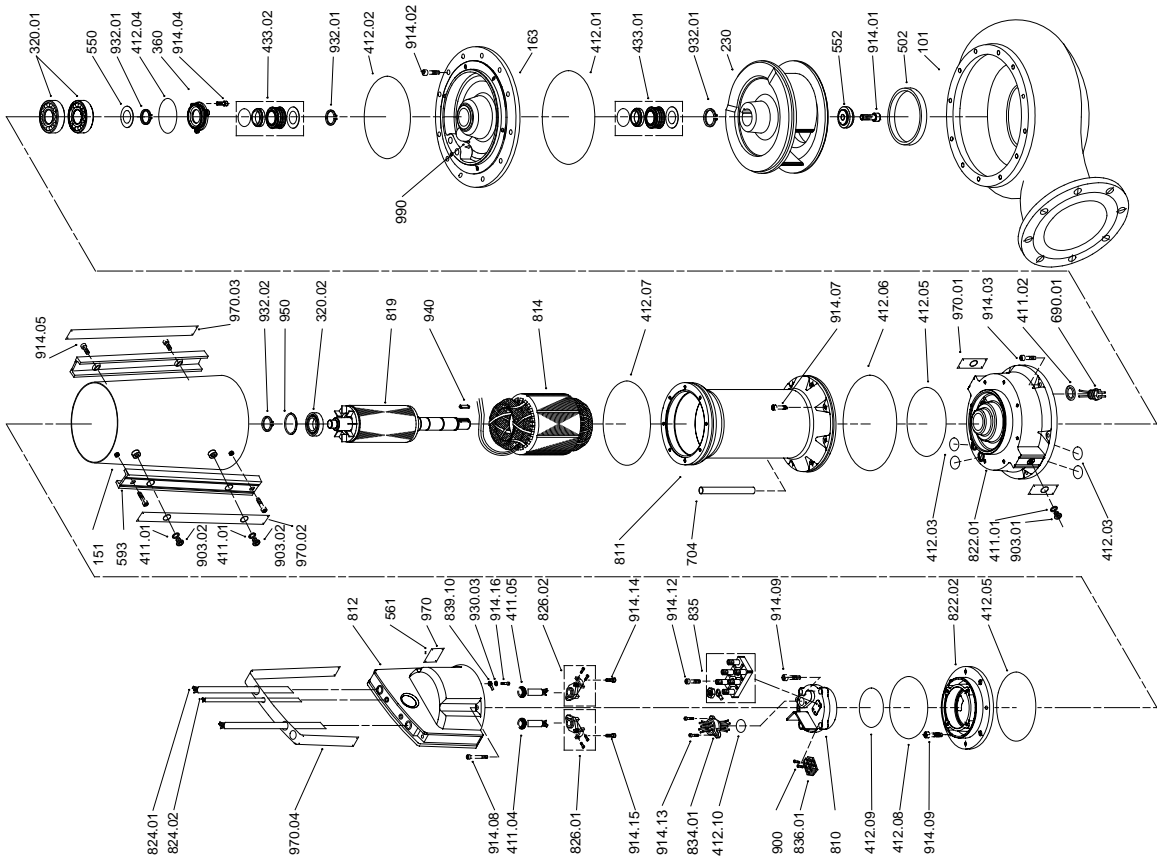
1 litre non-toxic oil, type Shell Ondina 15	96586753
---	----------

Thermal contact for three-phase motors

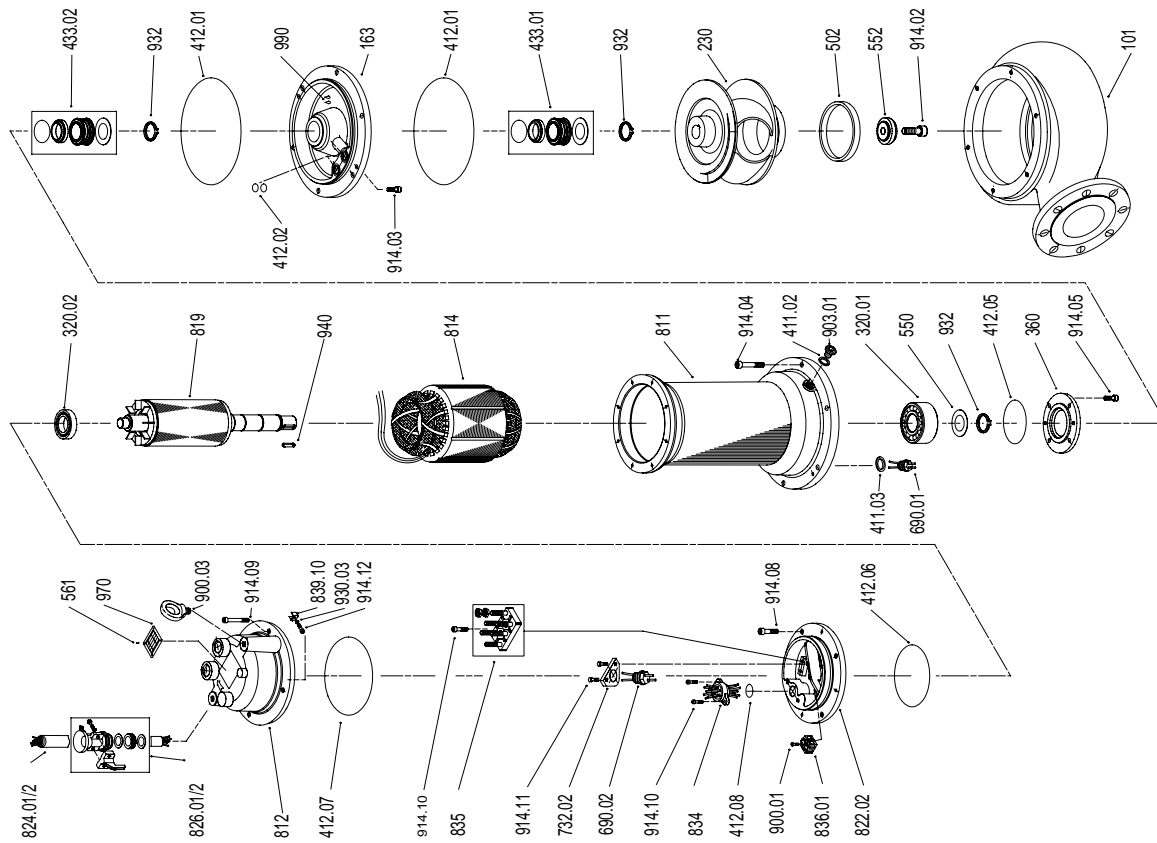
Thermal contact	96005389
-----------------	----------

Including three thermal switches for 140 °C and tape (class F)

AP100.200/130.250xxx



AP100



TM01 1731 5197

TM00 5040 4894

AP130**Wear parts**

Pos.	Description
411	1 rubber bush for cable entry
412	1 O-ring kit
433.01	1 shaft seal kit complete
433.02	1 secondary shaft seal kit
502	1 neck ring
903	1 oil-filling screw

Pump type	With moisture sensors	Without moisture sensors	Dry installation D	Dry horizontal installation DH
AP130.250.170	96004012	96004012	96004013	96004013
AP130.250.200	96004012	96004012	96004013	96004013
AP130.250.220	96004012	96004012	96004013	96004013
AP130.250.250	96004012	96004012	96004013	96004013
AP130.250.300	96004016	96004016	96004017	96004017
AP130.250.350	96004016	96004016	96004017	96004017
AP130.250.170.Ex	96004012	96004012	96004013	96004013
AP130.250.200.Ex	96004012	96004012	96004013	96004013
AP130.250.220.Ex	96004012	96004012	96004013	96004013
AP130.250.250.Ex	96004012	96004012	96004013	96004013
AP130.250.300.Ex	96004016	96004016	96004017	96004017
AP130.250.350.Ex	96004016	96004016	96004017	96004017

Oil

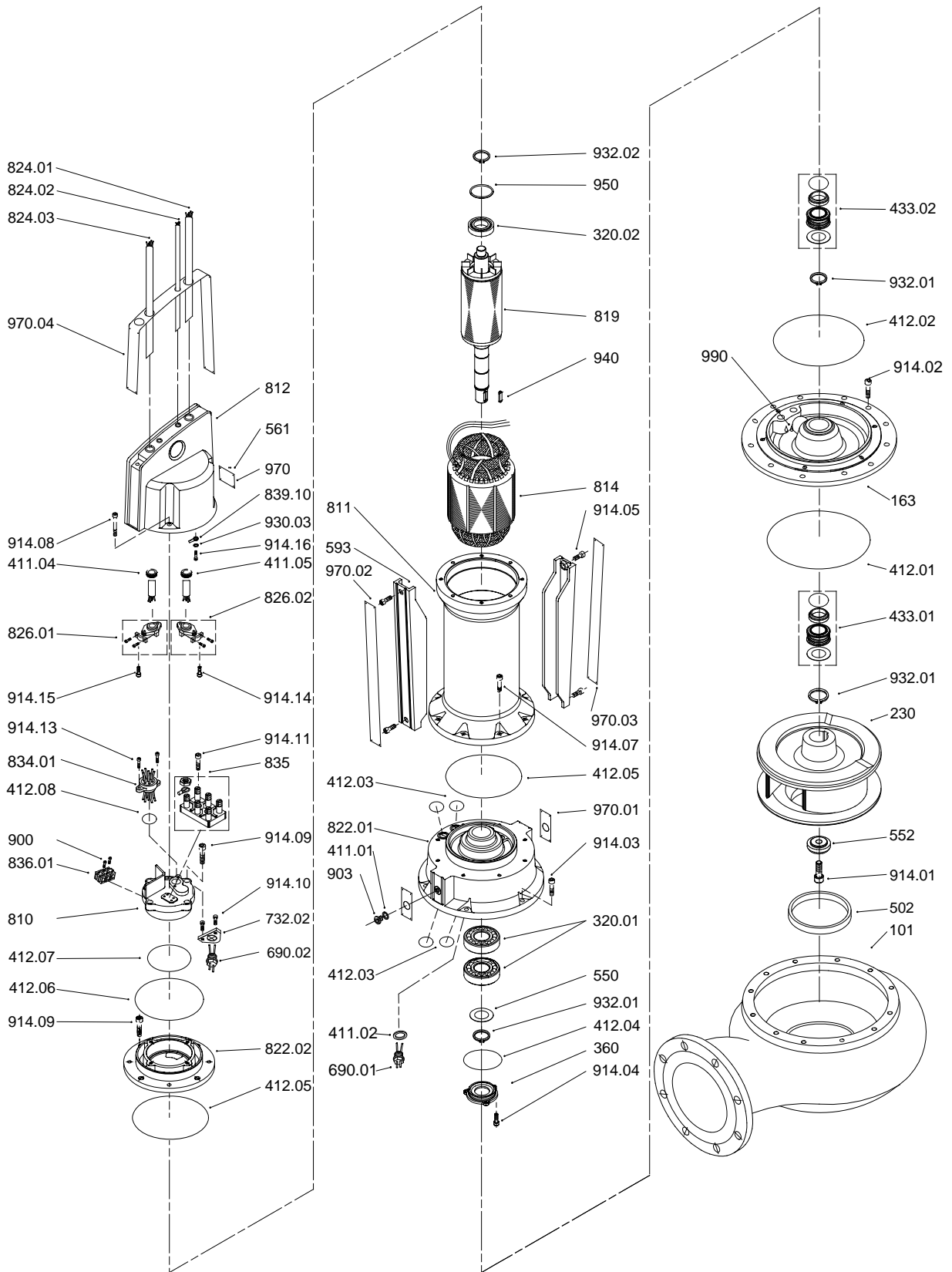
1 litre non-toxic oil, type Shell Ondina 15	96586753
---	----------

Thermal contact for three-phase motors

Thermal contact	96005389
-----------------	----------

Including three thermal switches for 140 °C and tape (class F)

AP130



TM01 1729 5197

APG**50/60 Hz, Models A and B****Wear parts**

Pos.	Description
420/433	1 shaft seal kit complete
412	1 O-ring kit
826	1 cable entry kit

Pump type	Model A	Model B
50 Hz		
APG.50.09	96003308	96007169
APG.50.11	96003308	96003308
APG.50.09.3.Ex, 11.1.Ex	96003696	96007178
APG.50.17, 18, 19	96003309	96007170
APG.50.19.3.Ex	96003310	96007171
APG.50.31	96003311	96007172
APG.50.31.3.Ex	96003307	96007171
60 Hz		
APG.50.11	96003308	96007169
APG.50.12	96003308	96003308
APG.50.18, 19	96003309	96007170
APG.50.29, 33	96003311	96007172

Control box

Product numbers of control boxes include these parts:

AP30.xx.xx.xA: 1 control box
10 m cable for float switch
1 float switch.

Other pumps: 1 control box
(without relays for float switch).

Pump type	Voltage (V)	Control box	Schuko plug	CEE plug
50 Hz				
APG.50.09.A3	3 x 400	96001427		
APG.50.09.A3	3 x 400	96003034		
APG.50.09.A3	3 x 230	96003323		
APG.50.11.1	1 x 230	96001429		
APG.50.11.1.A1	1 x 230	96003040		
APG.50.11.1.A1	1 x 230	96001430		
APG.50.18.1	1 x 230	96001431		
APG.50.18.1.A1	1 x 230	96003041		
APG.50.18.1.A1	1 x 230	96001432		
60 Hz				
APG.50.12.1	1 x 230	96003685		
APG.50.12.1.A1	1 x 230	96003686		
APG.50.18.1	1 x 230	96003687		
APG.50.18.A1	1 x 230	96003688		
APG.50.30.1	1 x 230	96003689		
APG.50.30.A1	1 x 230	96003690		
APG.50.33.1	1 x 230	96003689		
APG.50.33.A1	1 x 230	96003690		

Oil

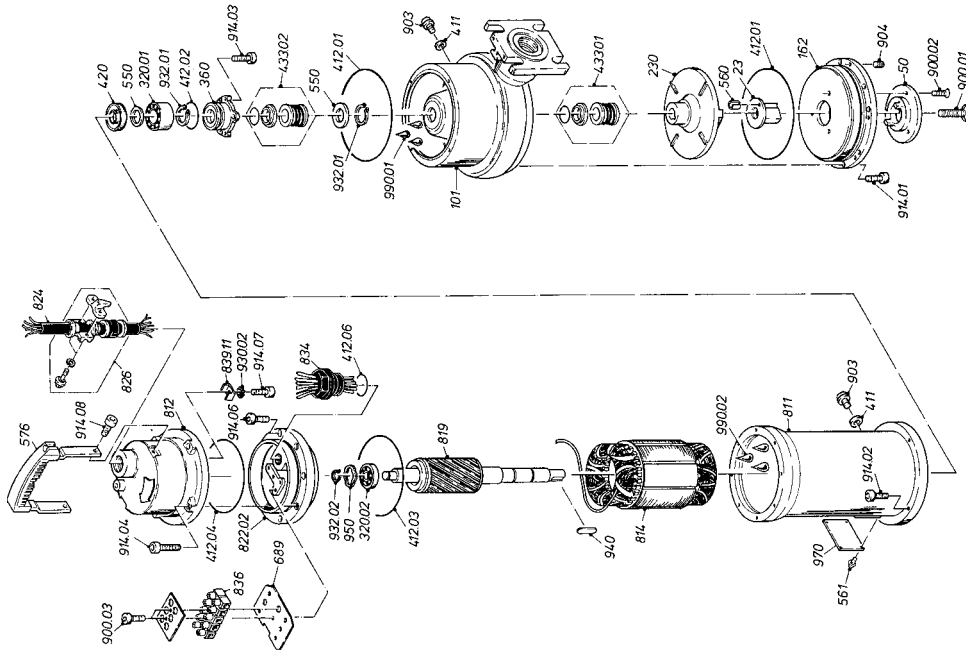
1 litre non-toxic oil, type Shell Ondina 15	96586753
---	----------

Thermal contact for three-phase motors

Thermal contact	96005389
-----------------	----------

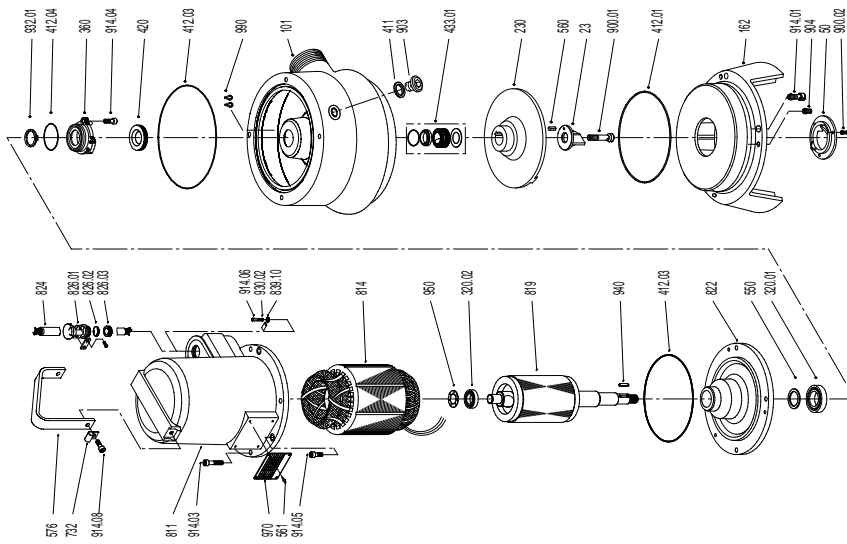
Including three thermal switches for 140 °C and tape (class F)

APG50.29-33, model A



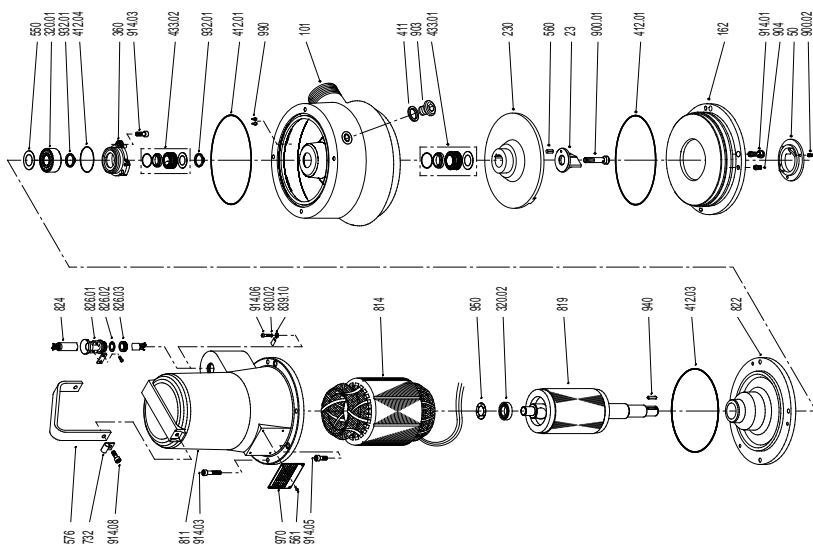
TM00 1987 0794

APG50.09-11, model B



TM01 2591 2098

APG50.17-18-19, model B



TM01 2593 2098

APG**50 Hz****Wear parts**

Pos.	Description
23	1 cutter kit
433	1 shaft seal kit complete
412	1 O-ring kit
826	1 cable entry kit

Pump type**50 Hz**

APG.50.48.3.	96843315
APG.50.48.3.Ex	96843315
APg.50.65.3.	96843315
APG.50.65.3.Ex	96843315
APG.50.92.3.	96843315
APG.50.92.3.Ex	96843315

Moisture relay

Moisture relay	98123045
----------------	-----------------

Thermistor relay

Thermistor relay	98123042
------------------	-----------------

Thermal contact for three-phase motors

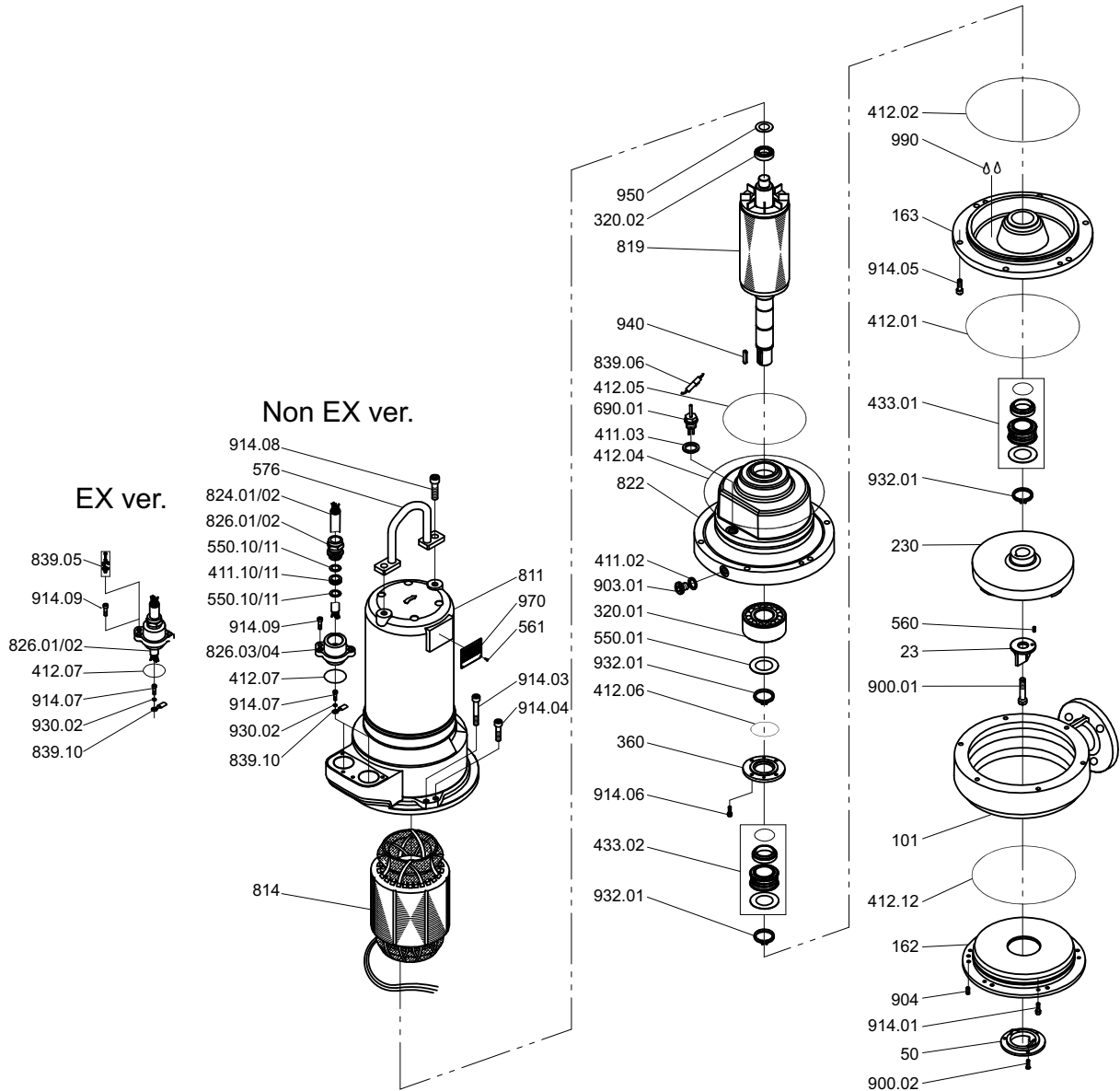
Thermal contact	96005389
-----------------	-----------------

Including three thermal switches for 140 °C and tape (class F)

Oil

1 litre non-toxic oil, type Shell Ondina 15	96586753
---	-----------------

APG.50.48-65-92



TM05 2277 4711