

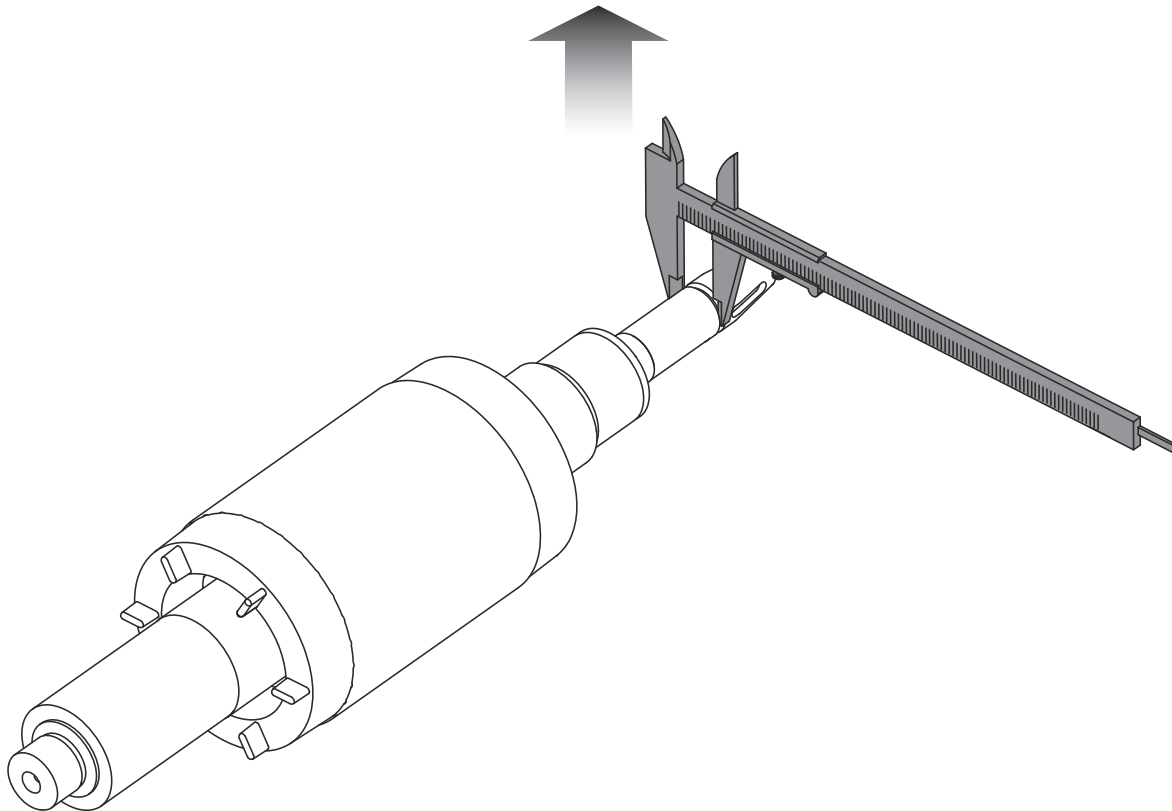


# O-ring kit instruction SE,SL D22

|             |   |              |       |
|-------------|---|--------------|-------|
| 18.1±0.1 mm |  | 17.3 x 2.4   | Black |
| 19.0±0.1 mm |  | 18.77 x 1.78 | Red   |



TIM06 0683 0514

| Color        | DE      | DK   | ES    | FR    | FI       | GB    | GR      | IT    | NL    | PT       | RU          | SE    |
|--------------|---------|------|-------|-------|----------|-------|---------|-------|-------|----------|-------------|-------|
| <b>Black</b> | Schwarz | Sort | Negro | Noir  | Musta    | Black | Μαύρο   | Nero  | Zwart | Preto    | Чёрны<br>й  | Svart |
| <b>Red</b>   | Rot     | Rød  | Rojo  | Rouge | Punainen | Red   | Κόκκινο | Rosso | Rood  | Vermelho | Красны<br>й | Röd   |

|                      |
|----------------------|
| <b>98631325</b> 0214 |
| ECM: 1129403         |