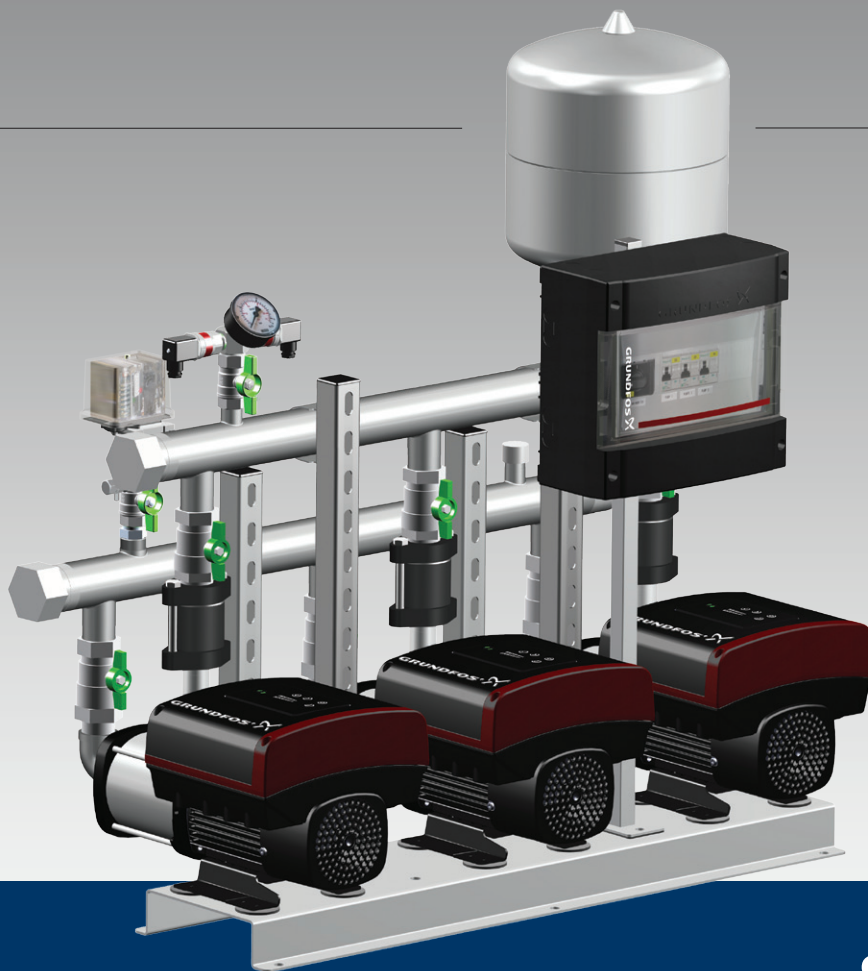


GRUNDFOS INSTRUCTIONS

# Hydro Multi-E

## CME

 GRUNDFOS  
PRESSURE BOOSTING

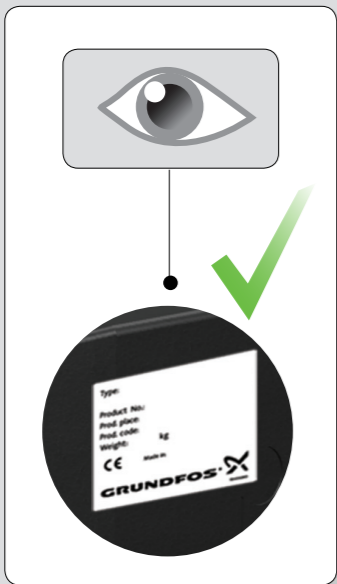


be think innovate

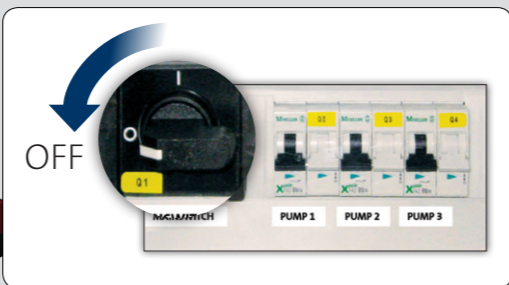
**GRUNDFOS** 



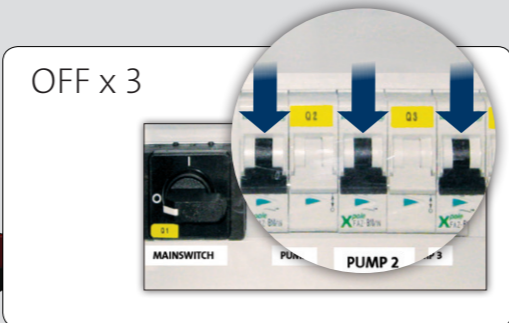
1



2



3



4

Factory settings	
Date	Setting (SP)

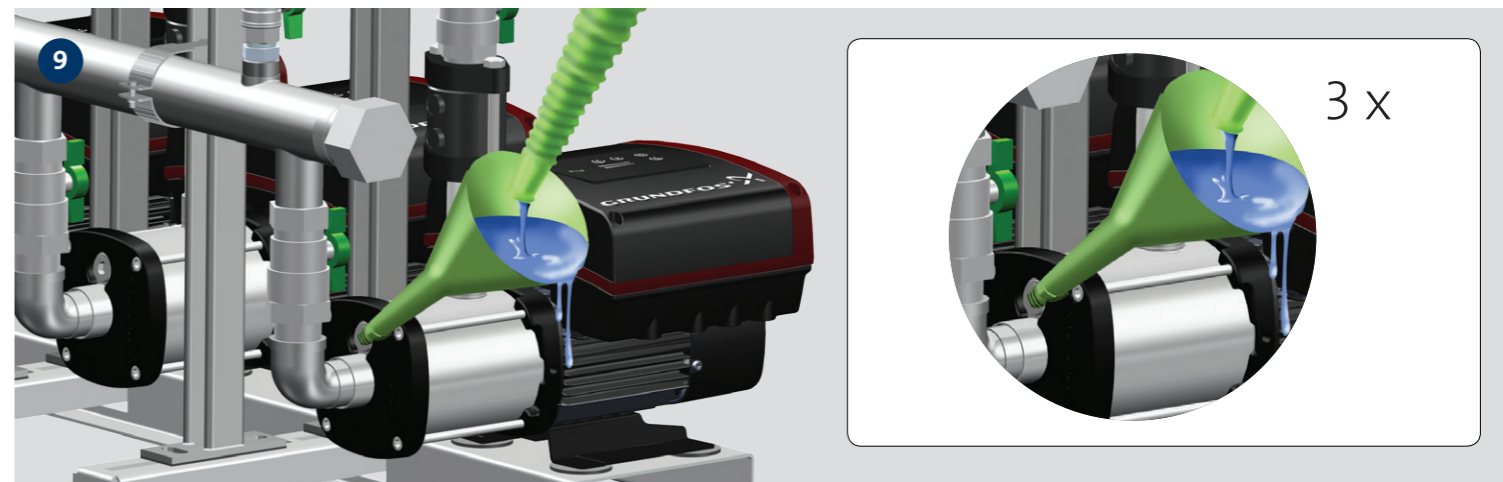
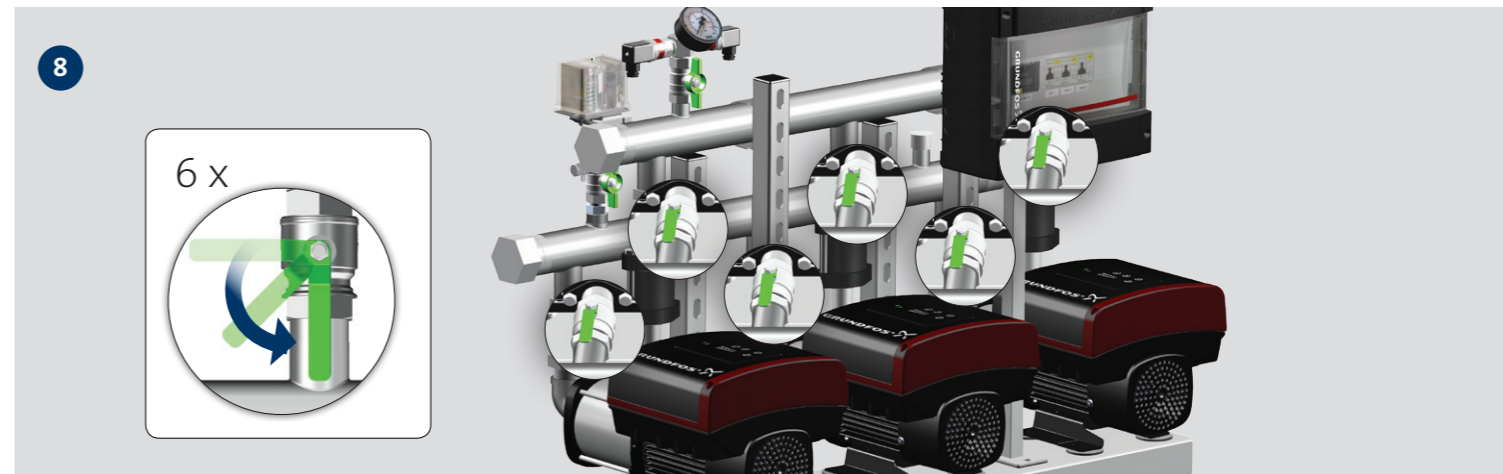
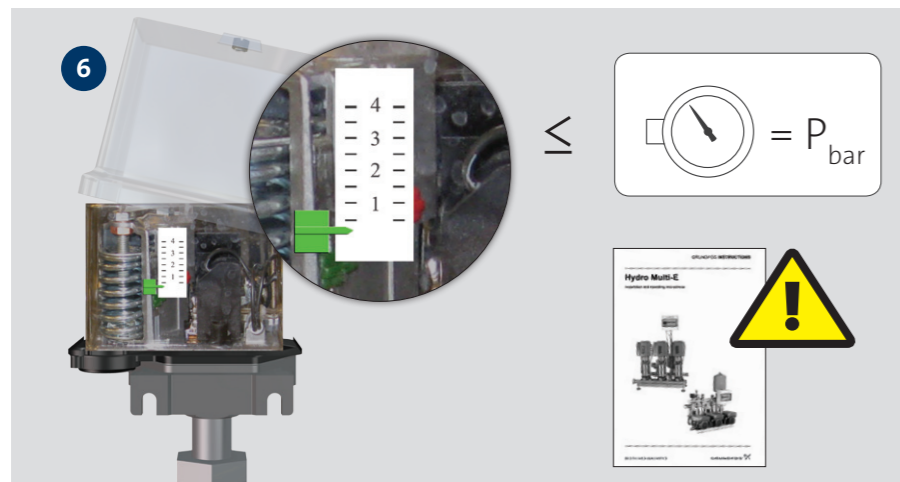
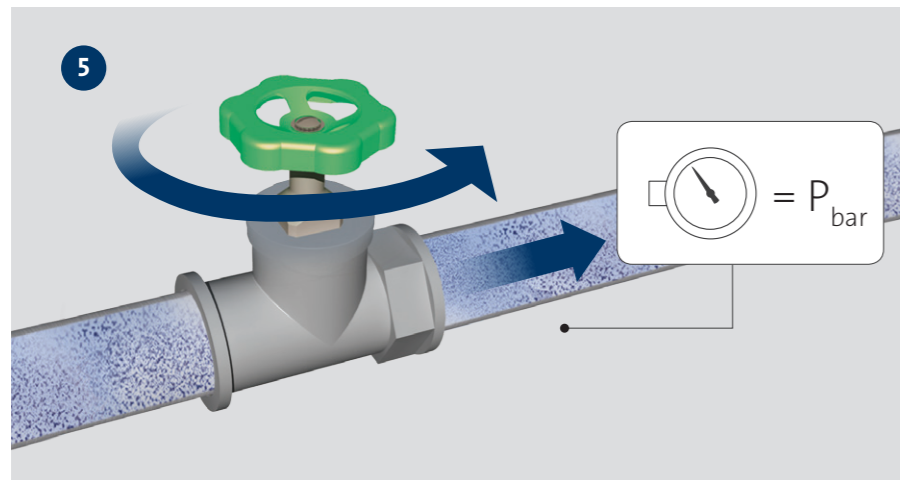
Customer settings		
Date	Setting (SP)	Initials



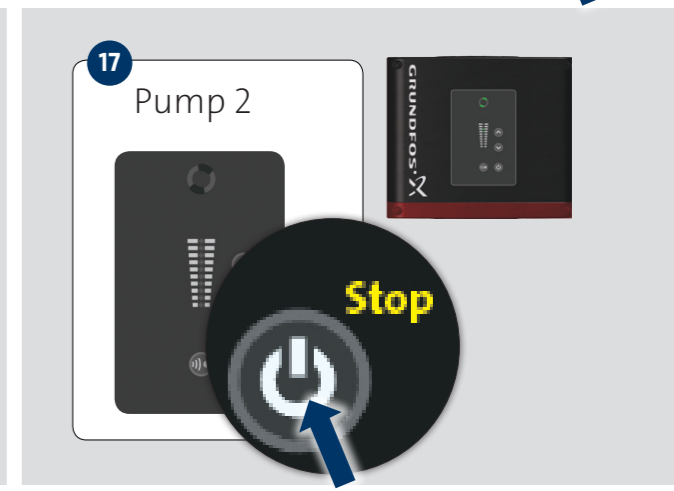
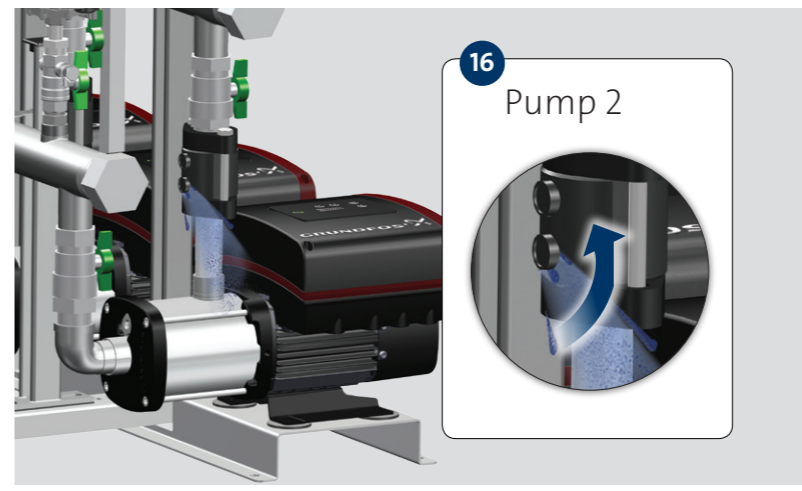
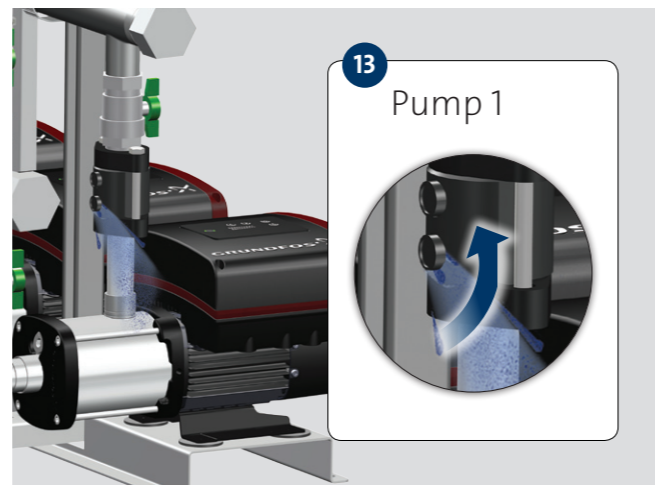
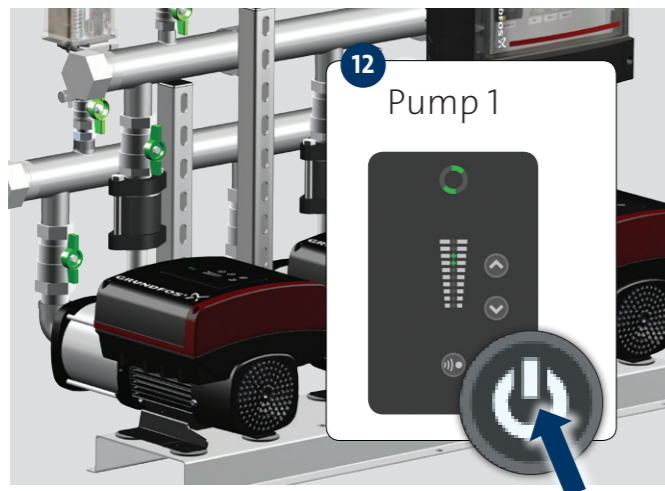
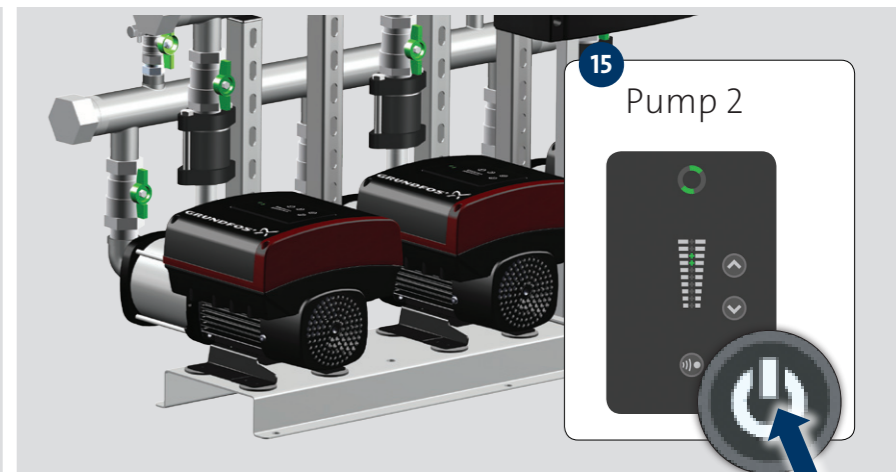
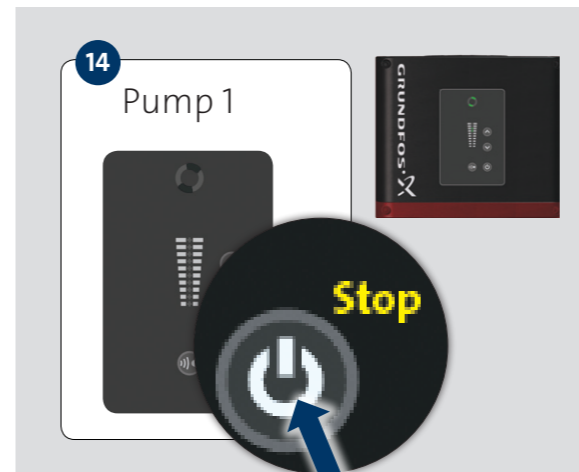
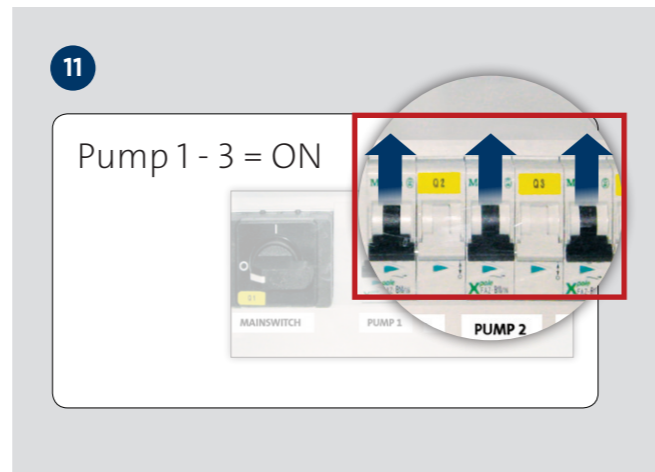
$P = 0.7 \times \text{SP}$

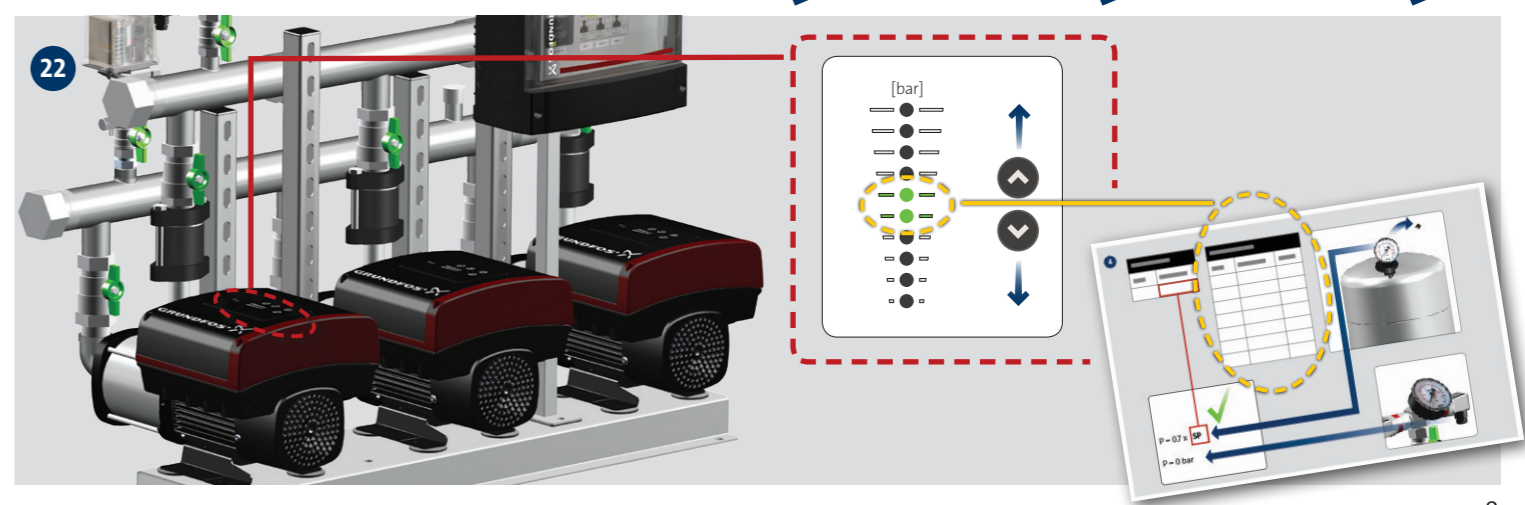
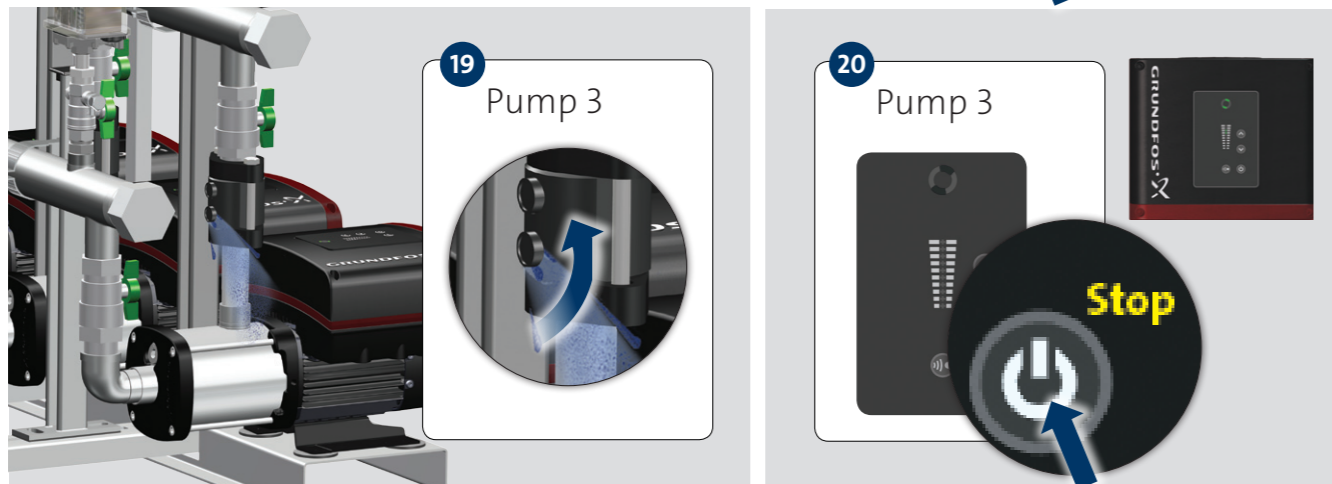
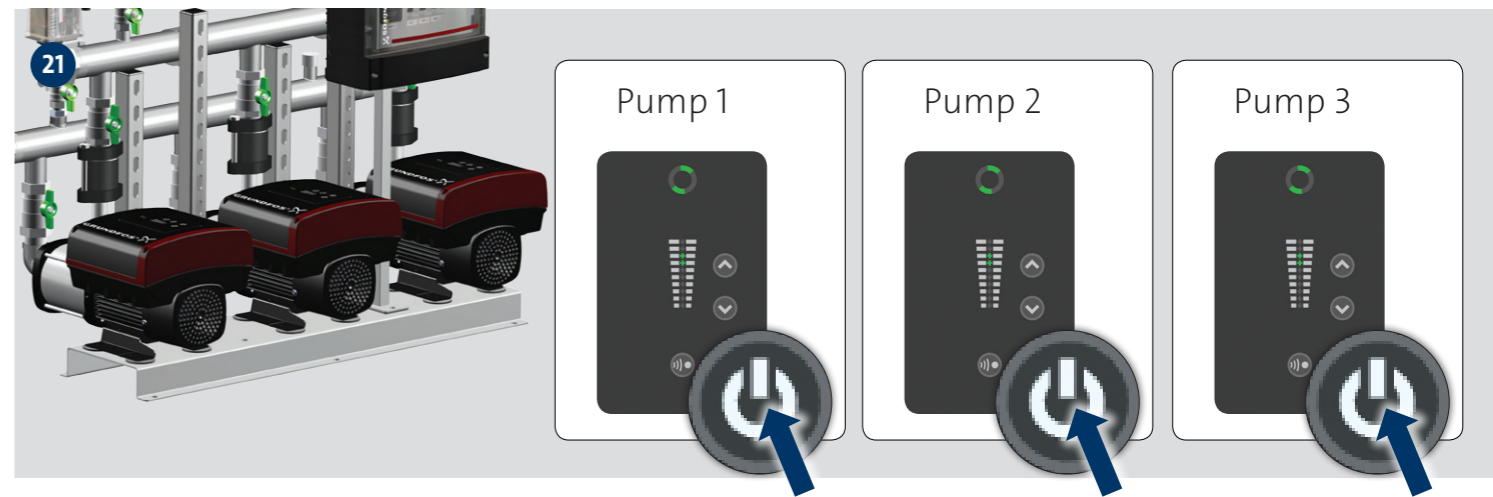
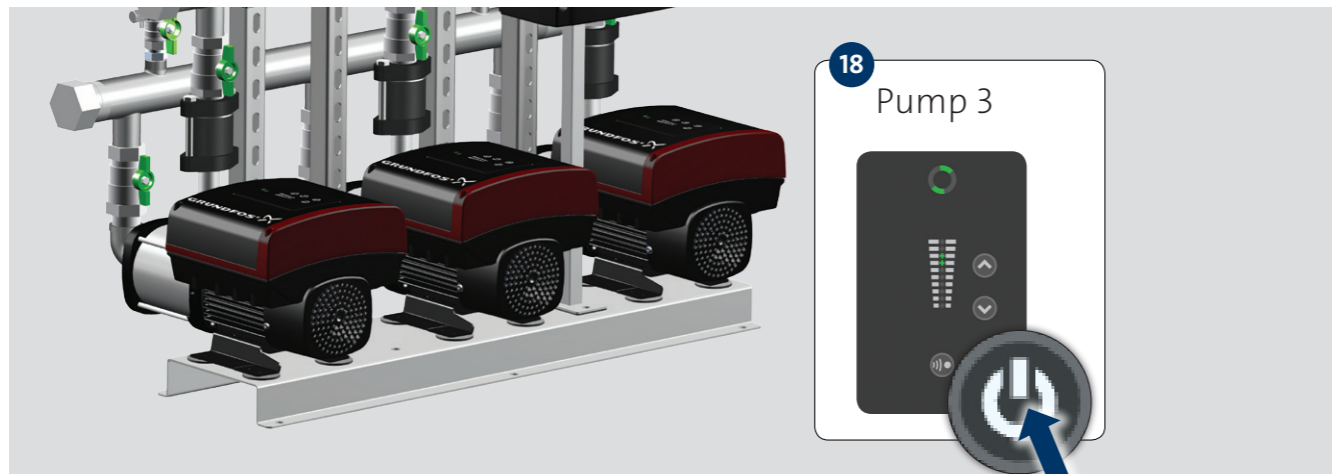
$P = 0 \text{ bar}$





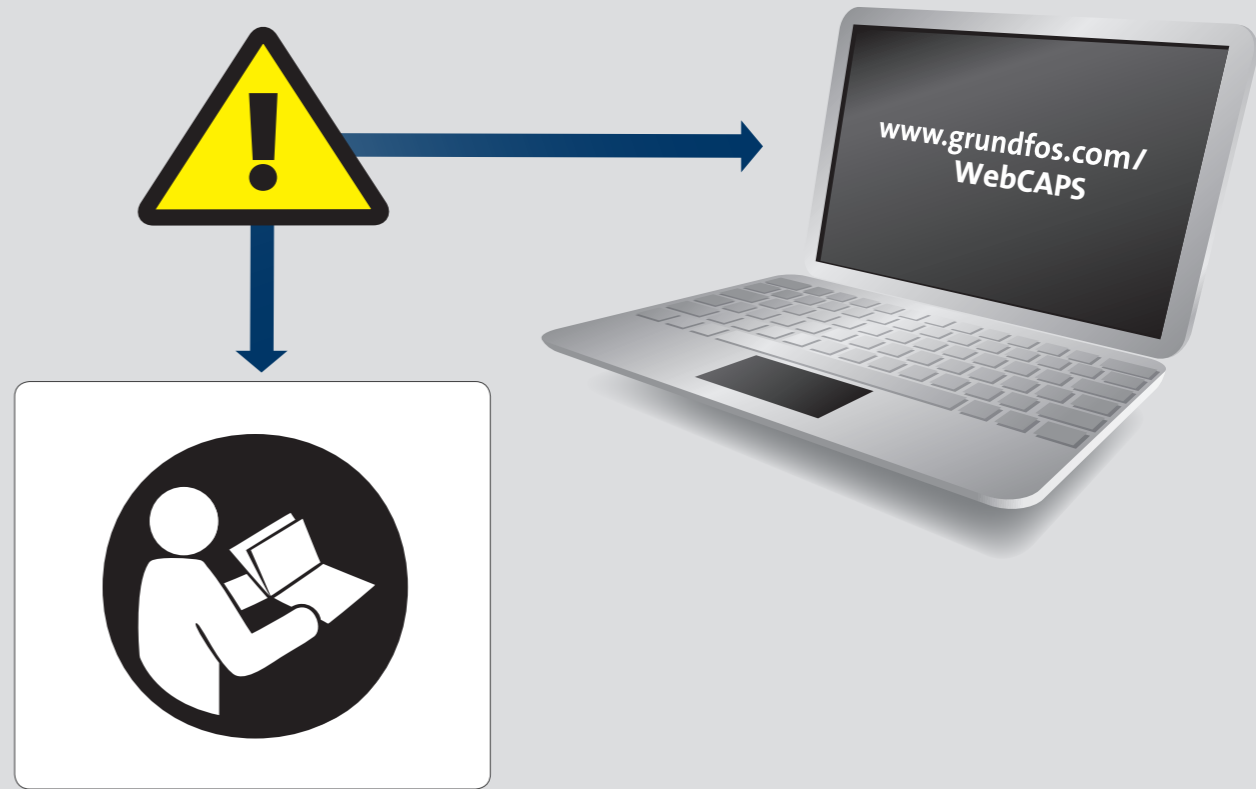
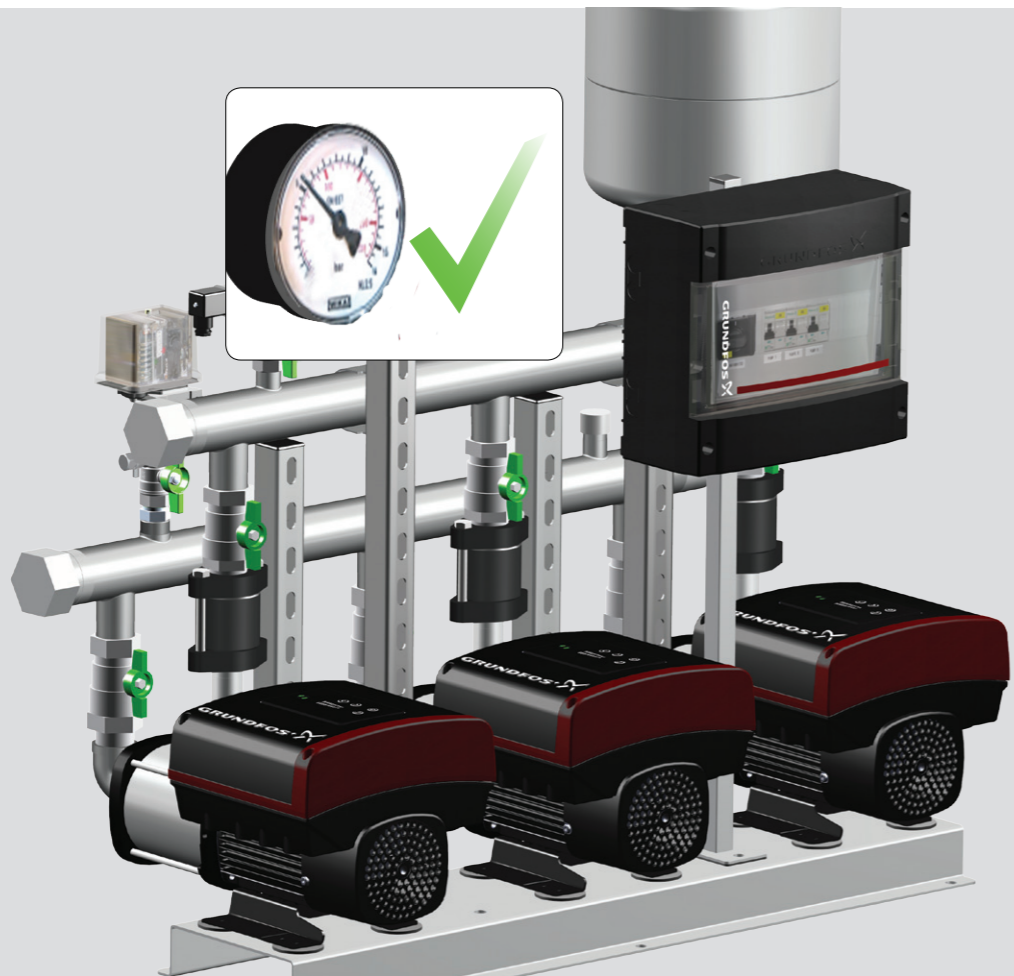








23



98477597 0813

ECM: 1117626

be think innovate

Pumpland.ru

**GRUNDFOS** 

The name Grundfos, the Grundfos logo, and the pappeff be think innovate, are registered trademarks owned by Grundfos Holding A/S or Grundfos A/S, Denmark. All rights reserved worldwide.