

HYDRO MPC

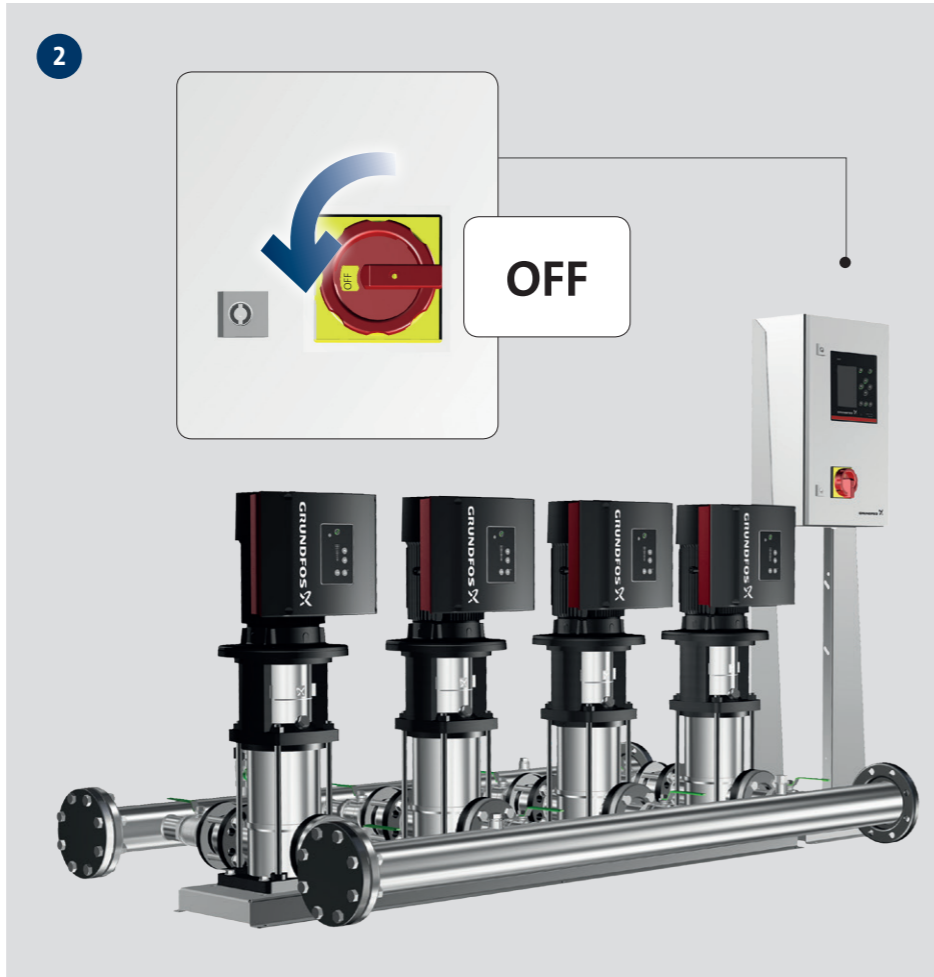
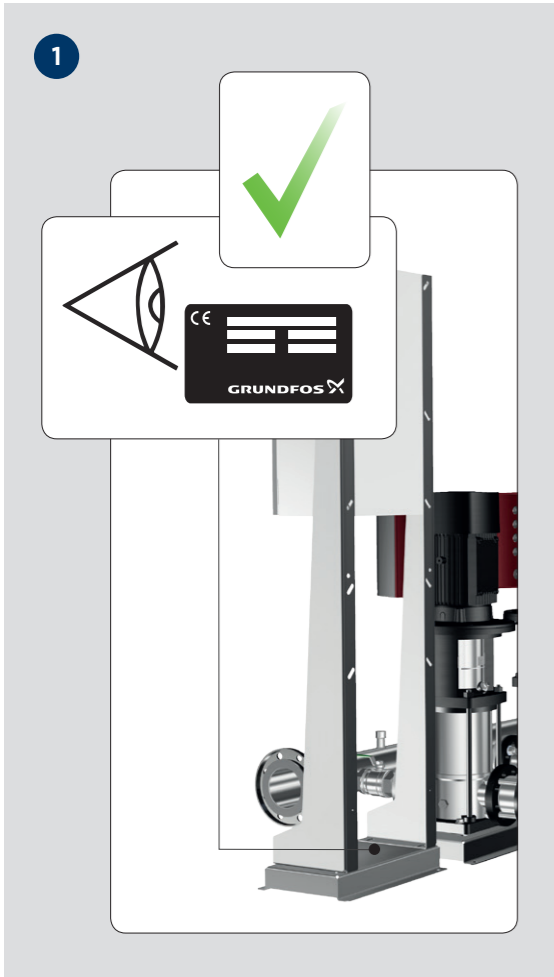
 GRUNDFOS
PRESSURE BOOSTING



net.grundfos.com/qr/i/96605907

be
think
innovate

GRUNDFOS 

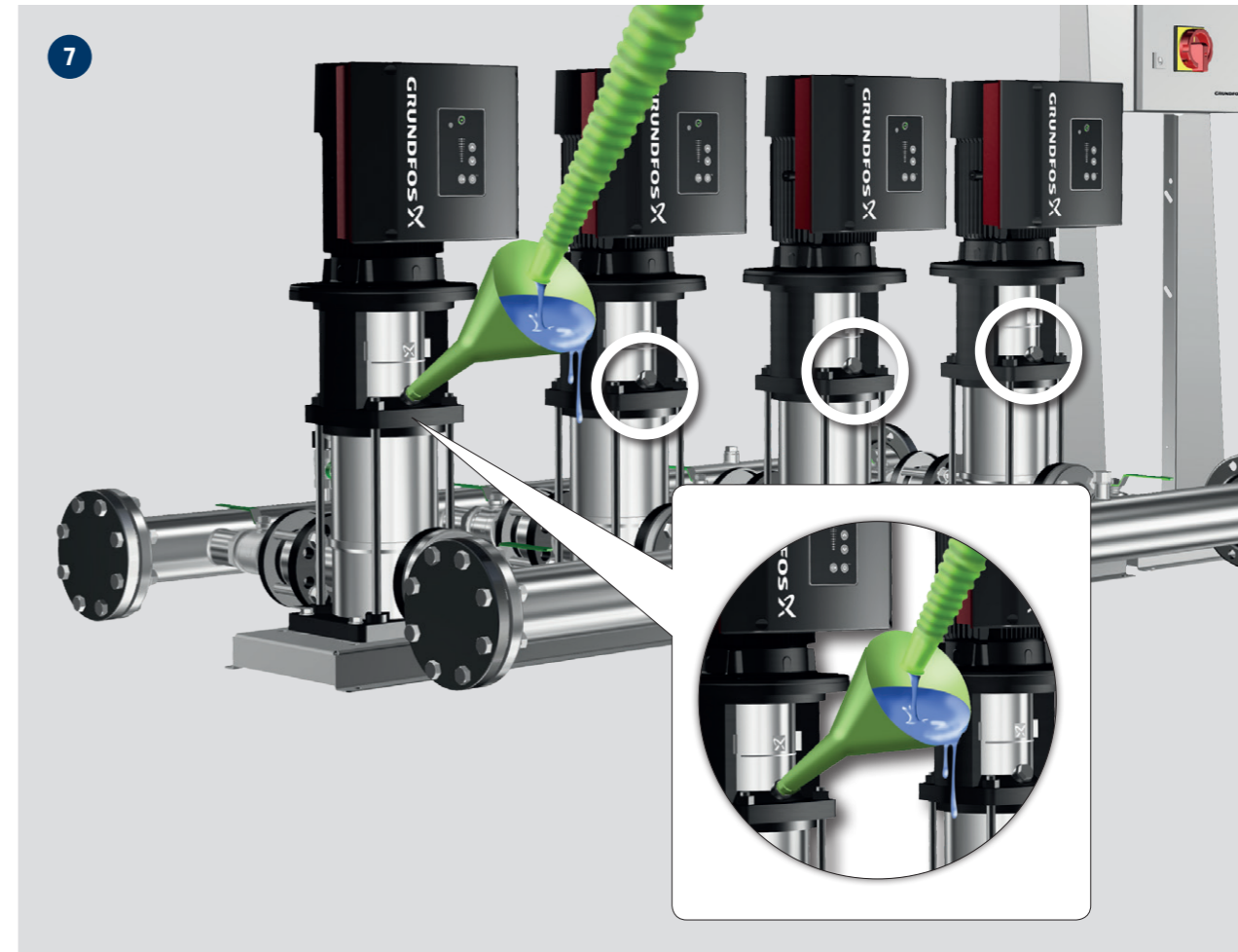
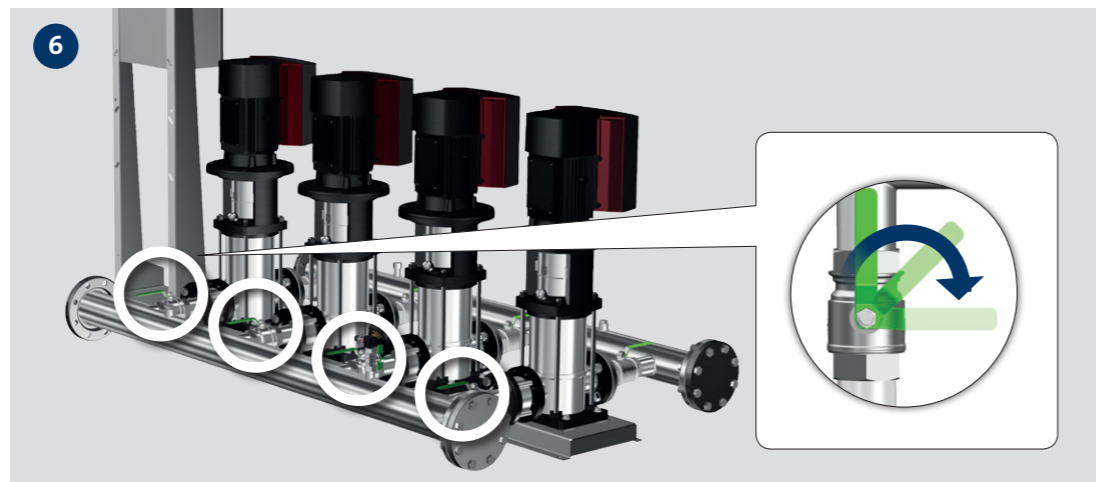
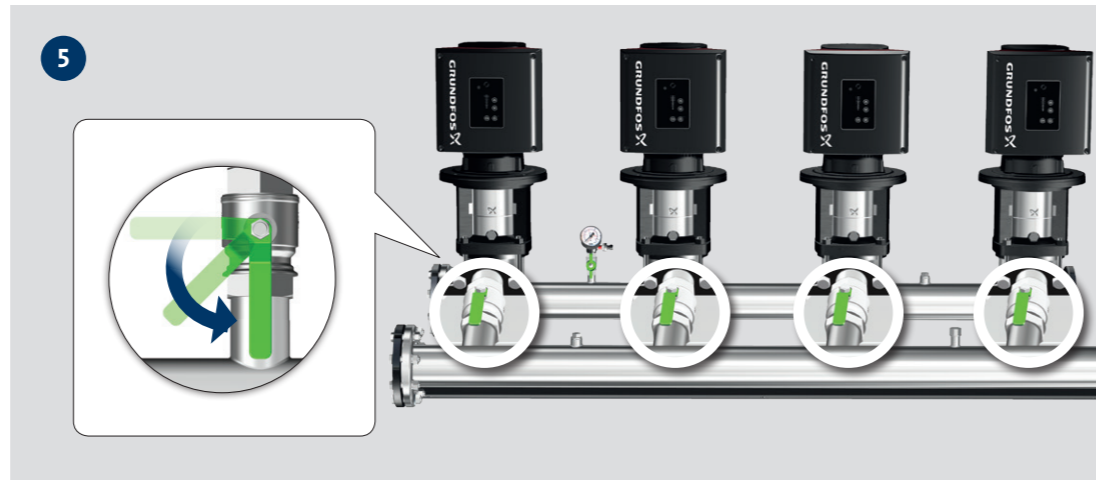
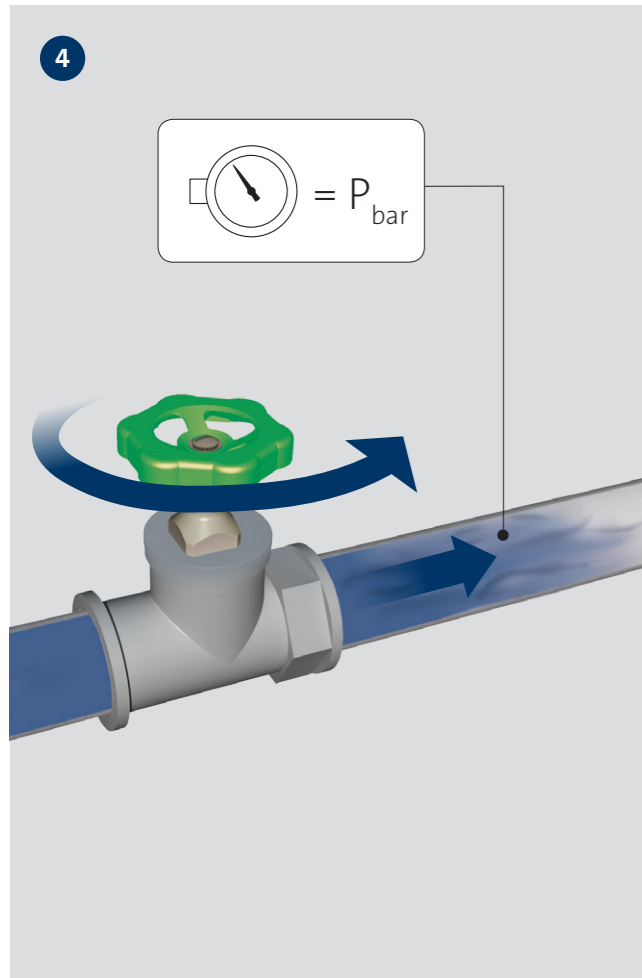


3

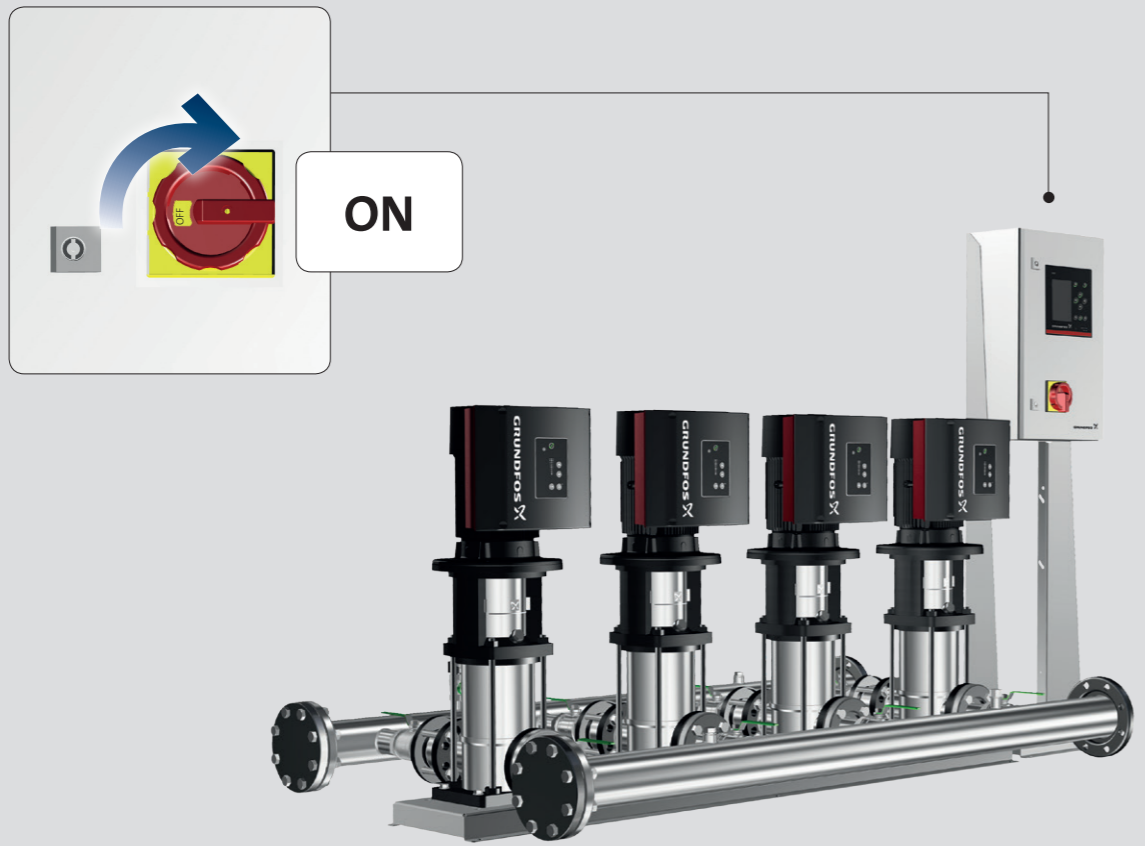
Factory settings		Customer settings		
Date	Setting (SP)	Date	Setting (SP)	Initials

$P = 0.7 \times \text{SP}$

Setting the pressure. A callout box shows the formula $P = 0.7 \times \text{SP}$ with a green checkmark. An arrow points from the "Customer settings" table to the "SP" variable. Another arrow points from the "Diaphragm TANK 8-33 L" instruction manual to the "SP" variable.

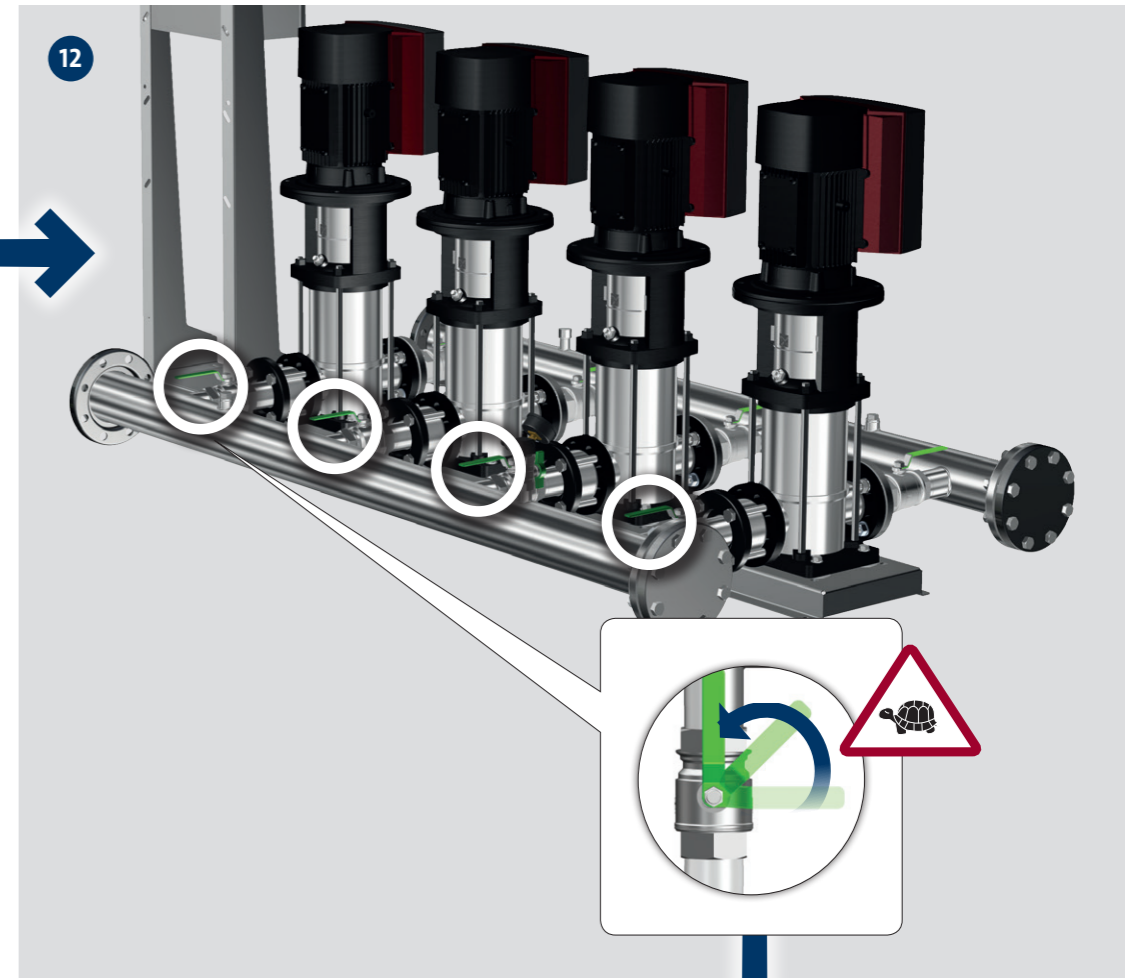
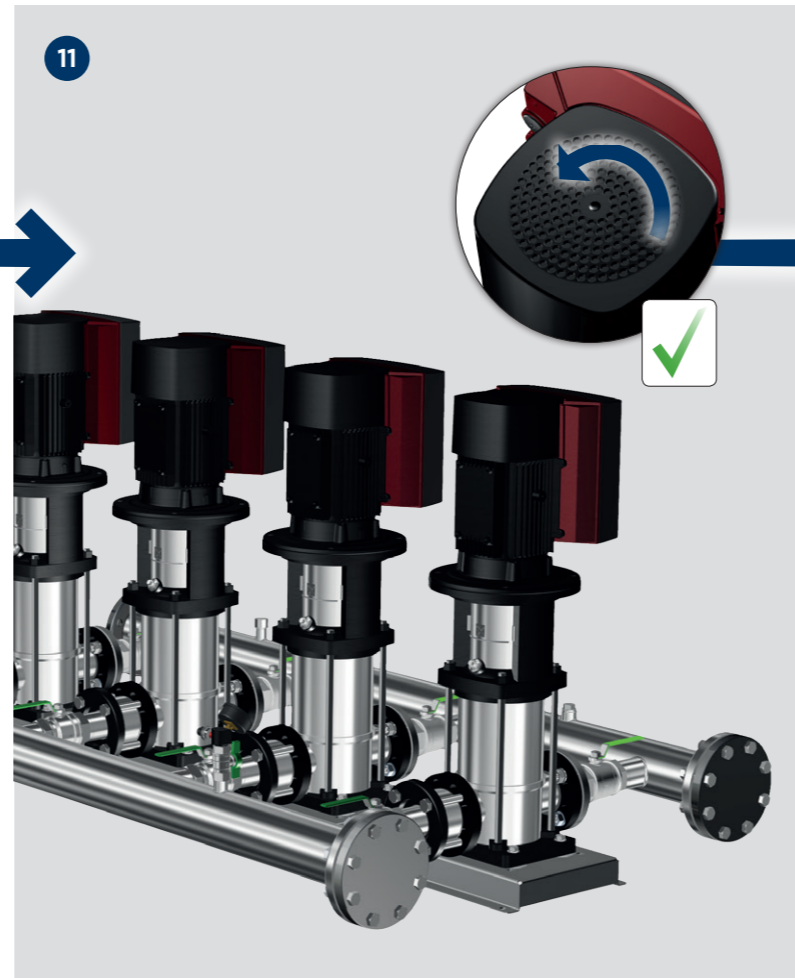
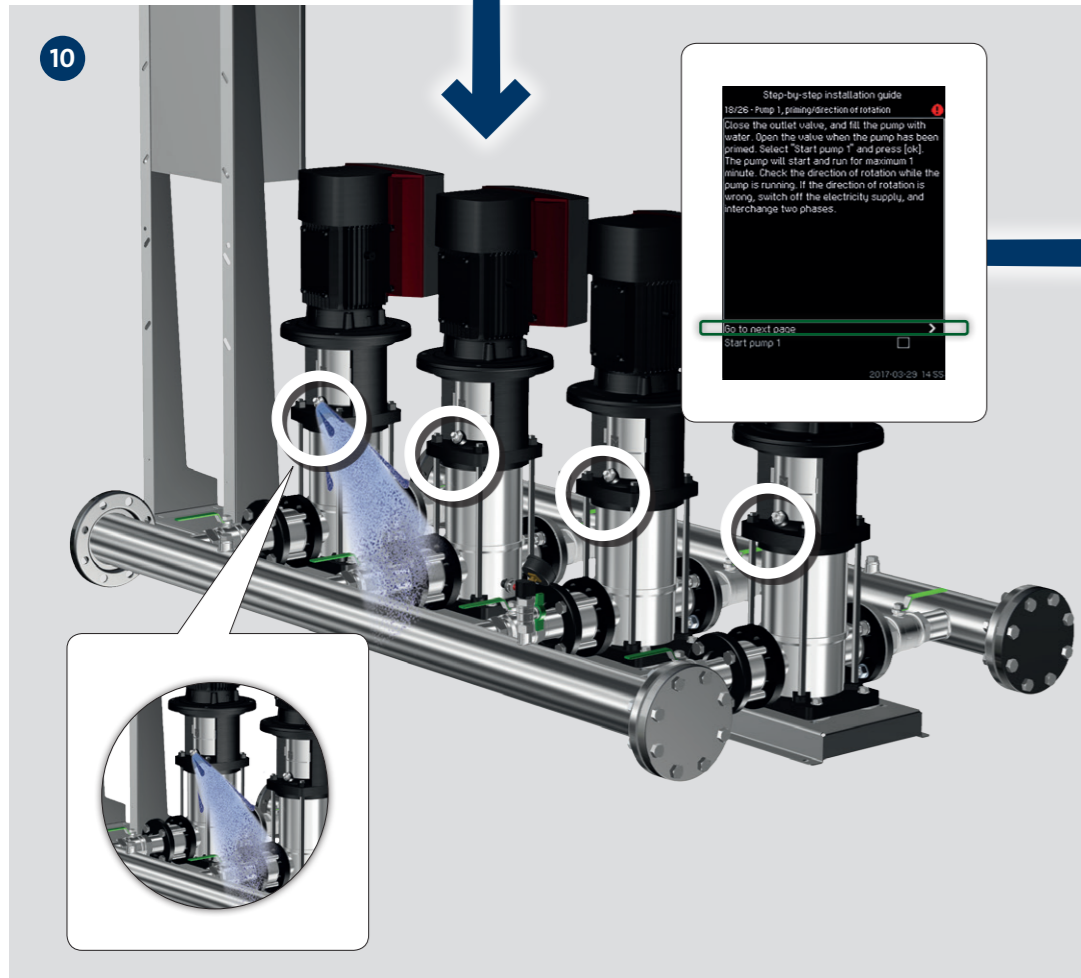


8

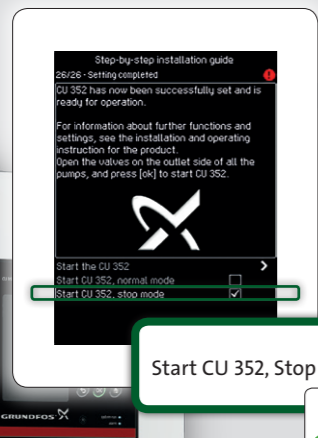


9





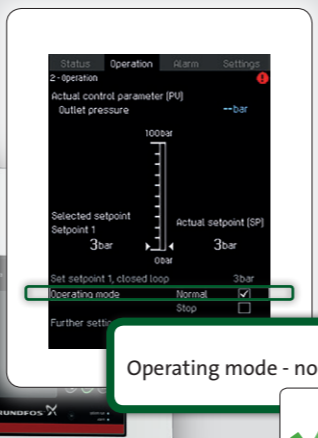
13



Start CU 352, Stop mode



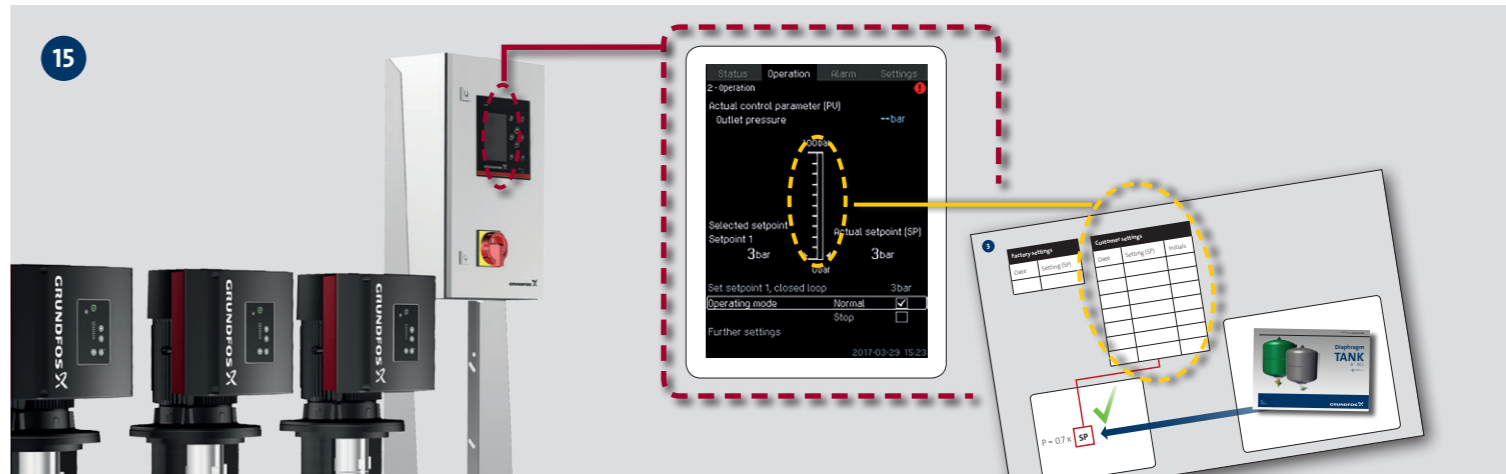
14



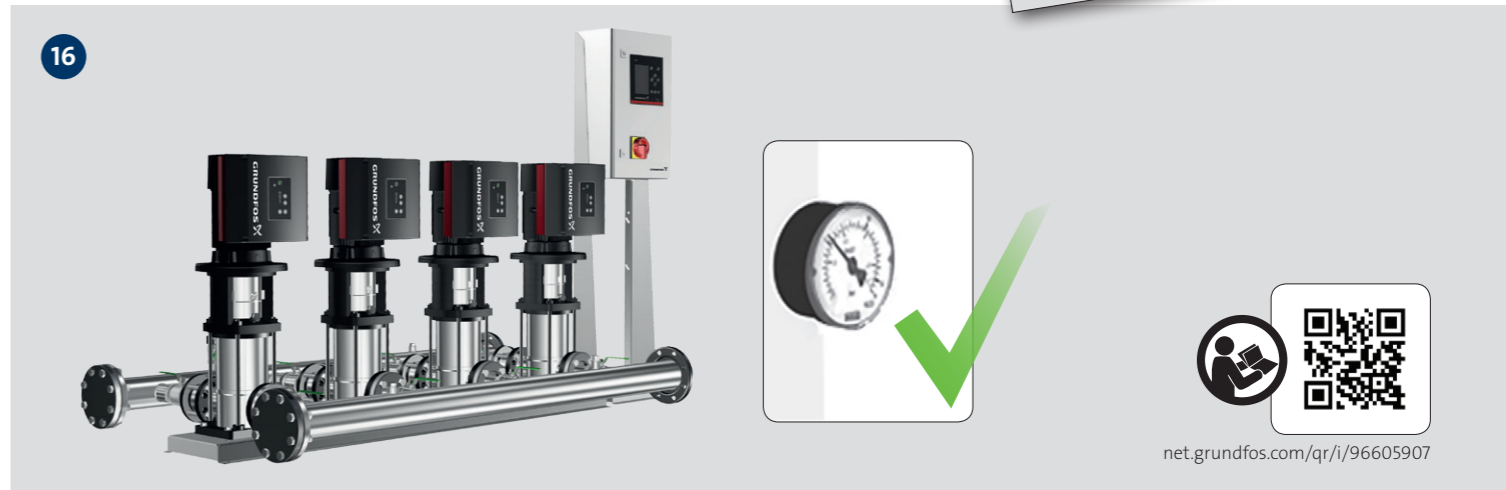
Operating mode - normal



15



16



net.grundfos.com/qr/i/96605907

be think innovate

99107595 0417

ECM: 1185116

GRUNDFOS Holding A/S
Poul Due Jensens Vej 7
DK-8850 Bjerringbro
Tel: +45 87 50 14 00
www.grundfos.com

Pumpland.ru

GRUNDFOS 

The name Grundfos, the Grundfos logo, and be think innovate are registered trademarks owned by Grundfos Holding A/S or Grundfos A/S, Denmark. All rights reserved worldwide.