

## 77. Sololift2

50 Hz

### WC-1, WC-3, CWC-3

#### Discharge connector

Pos.	Description kit No	WC-1, WC-3 98103367
417	Non-return adapter	1
417a	O-ring	1
443	Discharge connector	1

#### Grinder

Pos.	Description/kit No	97775349
44a	Washer	3
44b	Nut	3
44	Grinder ring	1
45	Grinder head	1
49b	Cap	1
49c	V-ring	1
188	Screw	1

#### Motor

Pos.	Description/kit No	97775341	97775348
2	Pump housing	1	-
2c	Flange for ball	1	-
2b	Ball	1	-
44	Grinder ring	1	-
44a	Washer	3	-
44b	Nut	3	-
45	Grinder head	1	-
49	Impeller	1	-
49b	Impeller nut	1	-
49c	V-ring	1	-
66	Washer	1	-
68	Ring	1	-
156	Motor flange	1	-
156a	O-ring	1	-
156b	Screw	1	-
158	Retainer for printed-circuit board	1	-
159	Printed-circuit board	1	-
160	Cover for printed-circuit board	1	-
161	Capacitor	1	-
188	Screw	1	-
188c	Washer	1	-
301	Motor	1	1
301a	O-ring	1	1
306	Flange for pump housing	1	-
306a	O-ring	1	-
308b	Screw	3	-
481	Retainer for pressure switch	1	-
482	Pressure switch	1	-

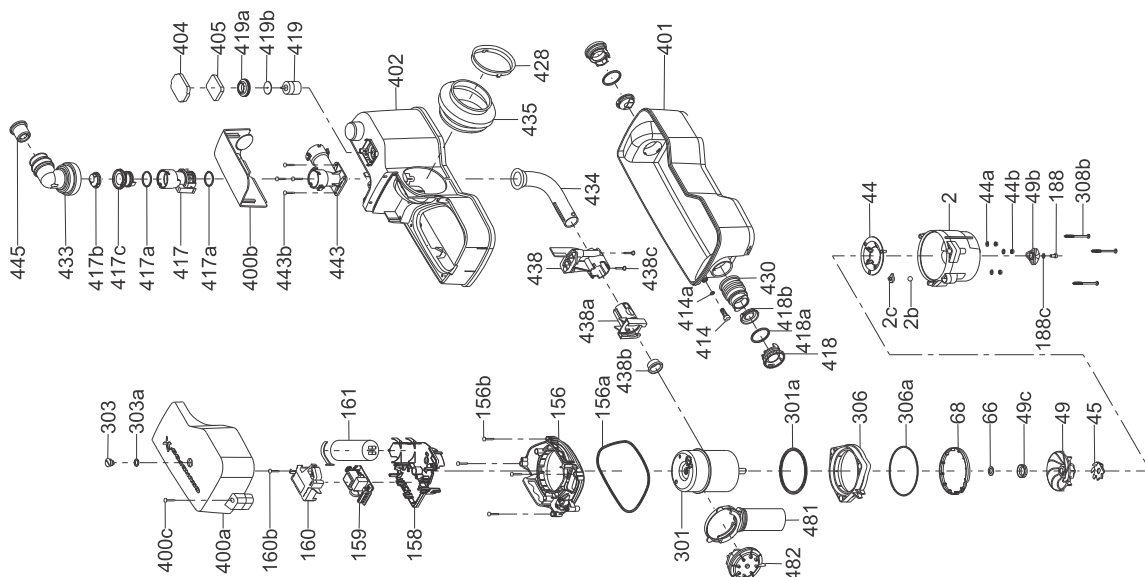
#### Pressure switch

Pos.	Description/kit No	97775344
481	Retainer for pressure switch	1
482	Pressure switch	1

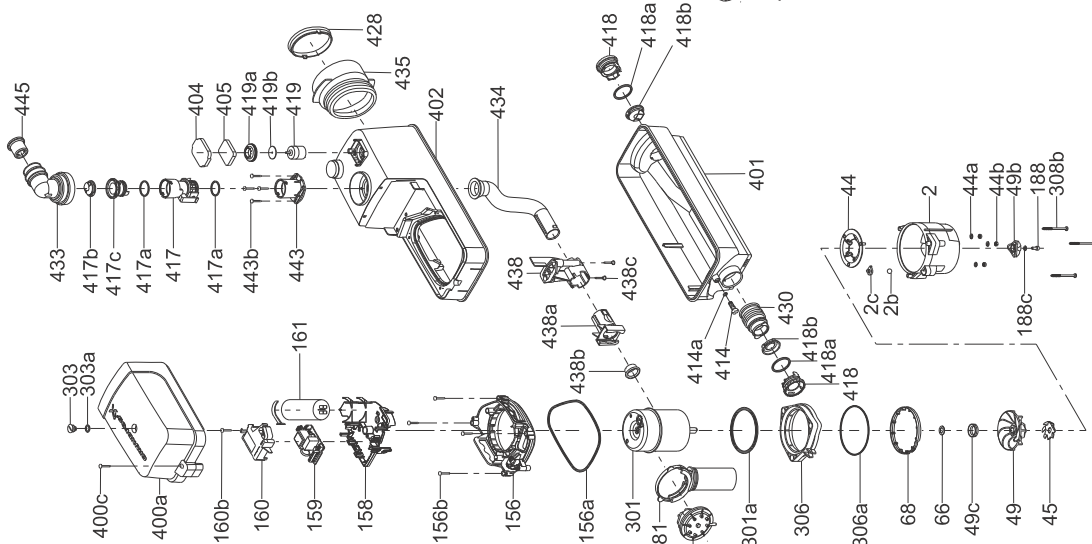
#### Printed-circuit board

Pos.	Description/kit No	97775345
159	Printed-circuit board	1

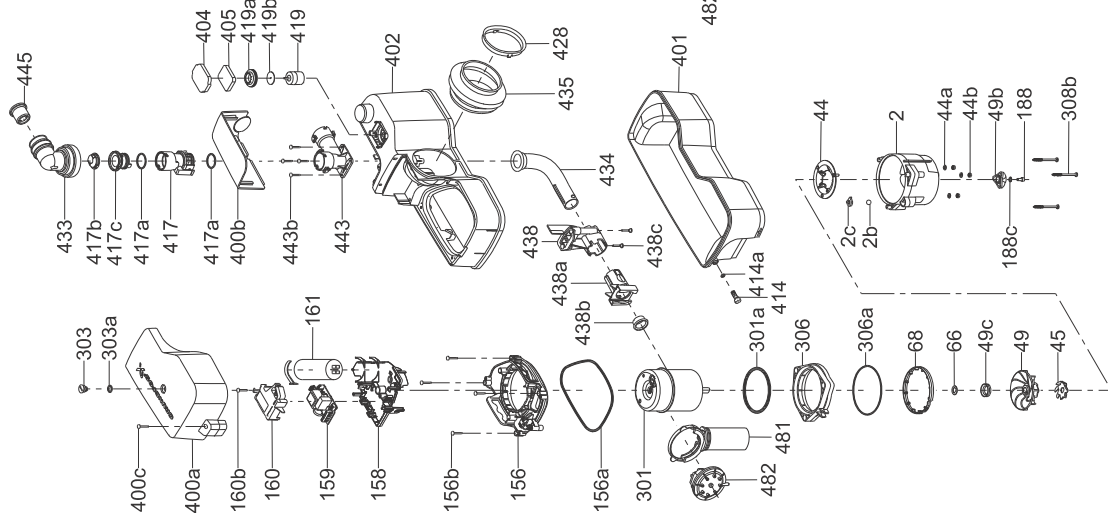
WC-3



CWC-3



WC-1



TM05 0301 0911

**Capacitor**

Pos.	Description/kit No	97775374
161	Capacitor	1

**Carbon filter**

Pos.	Description/kit No	97775370
404	Filter cover	1
405	Carbon filter	5

**Cover**

Pos.	Description Kit No	WC-1, WC-3 97775304
400b	Cover	1
-	Closing plug	1

**Cover, Service**

Pos.	Description Kit No	WC-1, WC-3 97775355	CWC-3 97775366
303	Plug	1	1
303a	O-ring	1	1
400a	Service cover	1	1
400c	Screw	1	1

**Gasket for toilet connection**

Pos.	Description Kit No	WC-1, WC-3 97775368	CWC-3 97775369
428	Hose clamp	1	1
435	Toilet connection	1	1
-	Clamp	1	-

**Impeller**

Pos.	Description/kit No	97775350
49	Impeller	1

**Inlet adapter**

Pos.	Description Kit No	WC-3, CWC-3 97775378
418	Inlet adapter	1
418a	O-ring	1
418b	Non-return flap valve	1

**Non-return valve for outlet**

Pos.	Description/kit No	97775371
417c	Non-return valve body	1
417a	O-ring	2
417b	Non-return flap	1

**Rubber parts for inlet**

Pos.	Description Kit No	WC-1 97775363	WC-3, CWC-3 97775364
430	Flexible connection	1	2
-	Clamp	2	4

**Rubber parts for outlet**

Pos.	Description/kit No	97775366
433	Elbow	1
-	Clamp	2
445	Reducer	1

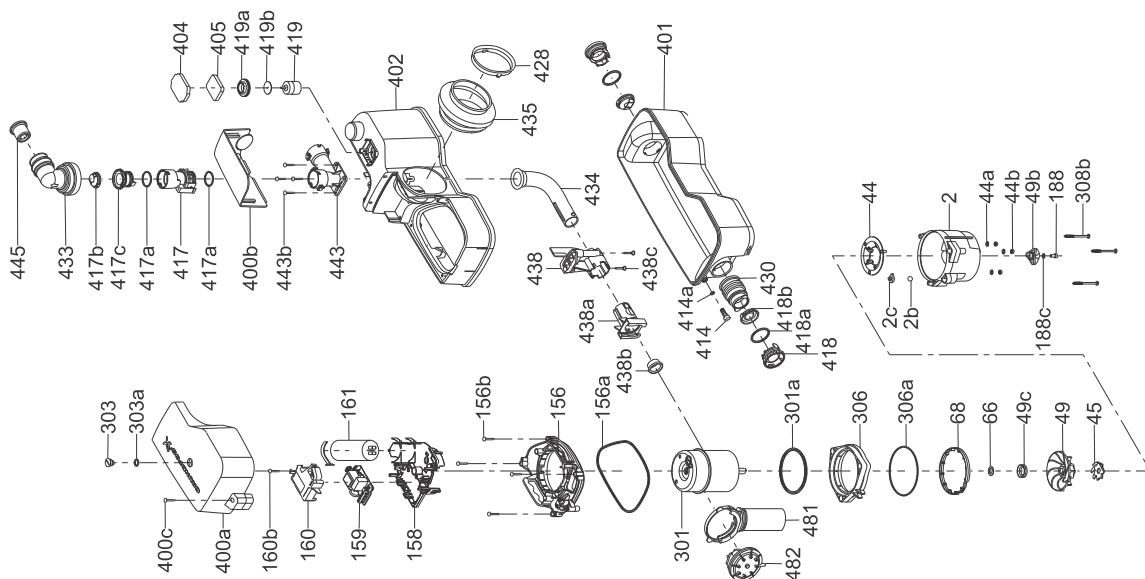
**Supply cable**

Pos.	Description Kit No	Schuko 97775377	Australia 97901607
-	Supply cable	1	1

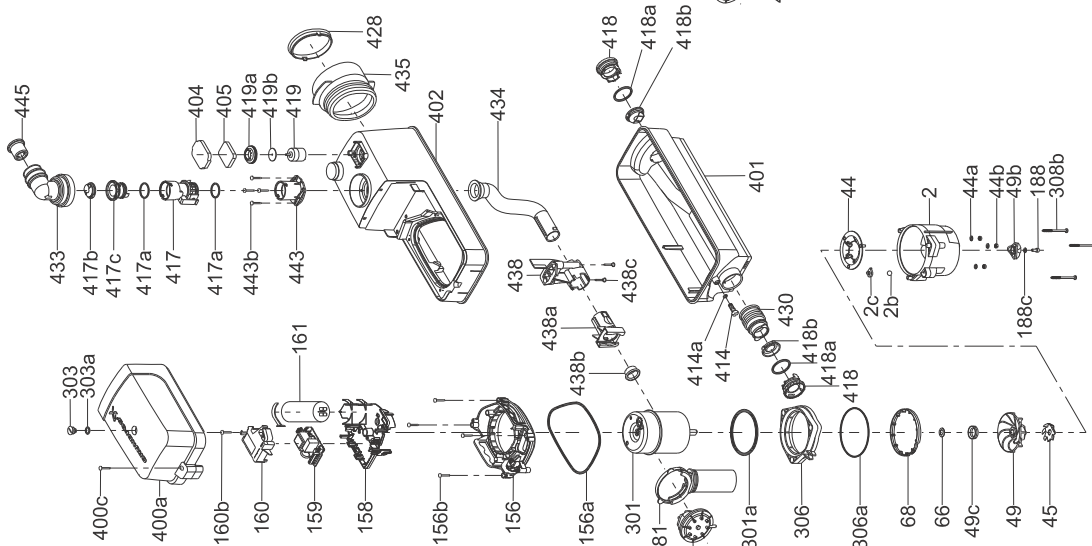
**Tank**

Pos.	Description Kit No	WC-1 97775359	WC-3 97821579	CWC-3 97775360
400b	Pipe cover	1	1	-
401	Tank bottom	1	1	1
402	Tank top	1	1	1
404	Filter cover	1	1	1
405	Carbon filter	1	1	1
414	Drain plug	1	1	1
414a	O-ring	1	1	1
418	Inlet adapter	-	2	2
418a	O-ring	-	2	2
418b	Non-return flap valve	-	2	2
419	Air vent valve	1	1	1
419a	Gasket	1	1	1
419b	Rubber washer	1	1	1
434	Discharge pipe	1	1	1
438	Fixing device	1	1	1
438a	Adapter	1	1	1
438b	Retaining ring	1	1	1
438c	Screw	2	2	2
443	Discharge connector	1	1	1
443b	Screw	4	4	4

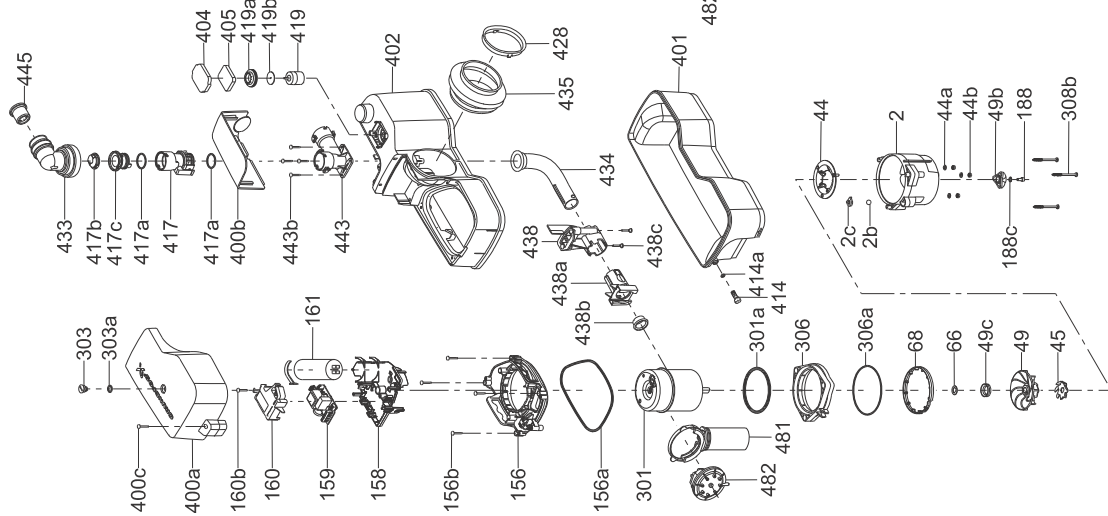
WC-3



CWC-3



WC-1



TM05 0301 0911

**C-3, D-2****Cover, Service**

Pos.	Description	C-3	D-2
	Kit No	97775357	97775358
400a	Cover	1	1
400c	Screw	1	1

**Capacitor**

Pos.	Description/kit No	97775375
161	Capacitor	1

**Carbon filter**

Pos.	Description	D-2 & C-3
	Kit No	97775370
404	Filter cover	1
405	Carbon filter	5

**Discharge connector**

Pos.	Description/ kit No	C-3
		98103364
443	Discharge connector	1

**Float switch unit**

Pos.	Description	C-3
	Kit No	97775346
460	Pressure switch unit	1

**Impeller**

Pos.	Description	C-3	D-2
	Kit No	97775352	97775354
49	Impeller	1	1

**Inlet adapter with flap for horizontal inlets**

Pos.	Description	C-3
	Kit No	97775378
418	Inlet adapter	1
418a	O-ring	1
418b	Non-return flap valve	1

**Motor with float switch**

Pos.	Description Kit No	C-3	D-2	C-3	D-2
		97775342	97775343	97775351	97775353
2	Pump housing	1	1	-	-
49	Impeller	1	1	-	-
49c	V-ring	1	-	-	-
67	Nut	1	1	-	-
67a	Cap	1	1	-	-
156	Motor flange	1	1	-	-
156a	O-ring	1	1	-	-
156b	Screw	1	1	-	-
161	Capacitor	1	1	-	-
301	Motor	1	1	1	1
301a	O-ring	1	1	1	1
306	Flange for pump housing	1	-	-	-
306a	O-ring	1	-	-	-
308b	Screw	3	3	-	-
460	Float switch unit	1	-	-	-
482	Pressure switch	-	1	-	-

**Non-return valve for outlet**

Pos.	Description/kit No	97775371
417c	Non-return valve body	1
417a	O-ring	2
417b	Non-return flap	1

**Pressure switch unit**

Pos.	Description	D-2
	Kit No	97775347
482	Pressure switch unit	1
482a	O-ring	1

**Rubber parts for inlet**

Pos.	Description	C-3
	Kit No	97775364
430	Flexible connection	2
-	Clamp	4

**Rubber parts for outlet**

Pos.	Description	C-3	D-2
	Kit No	97775366	97775367
433	Elbow	1	1
-	Clamp	2	2
445	Reducer	1	-

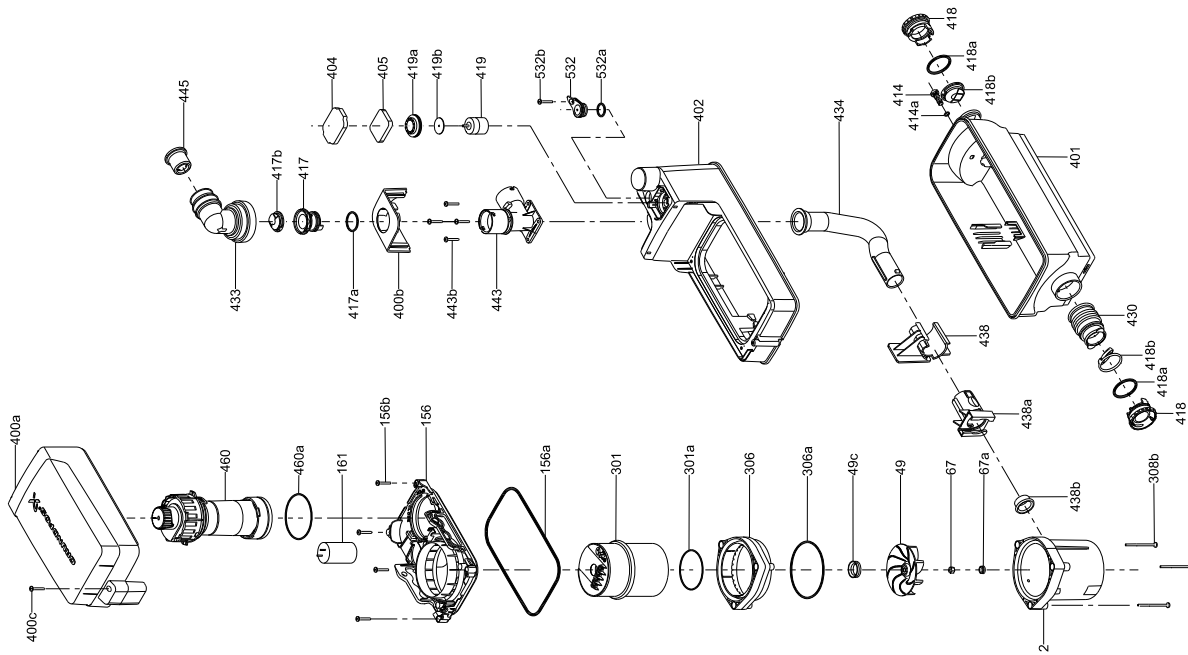
**Supply cable**

Pos.	Description	Schuko	Australia
	Kit No	97821591	97901608
-	Supply cable	1	1

**Tank**

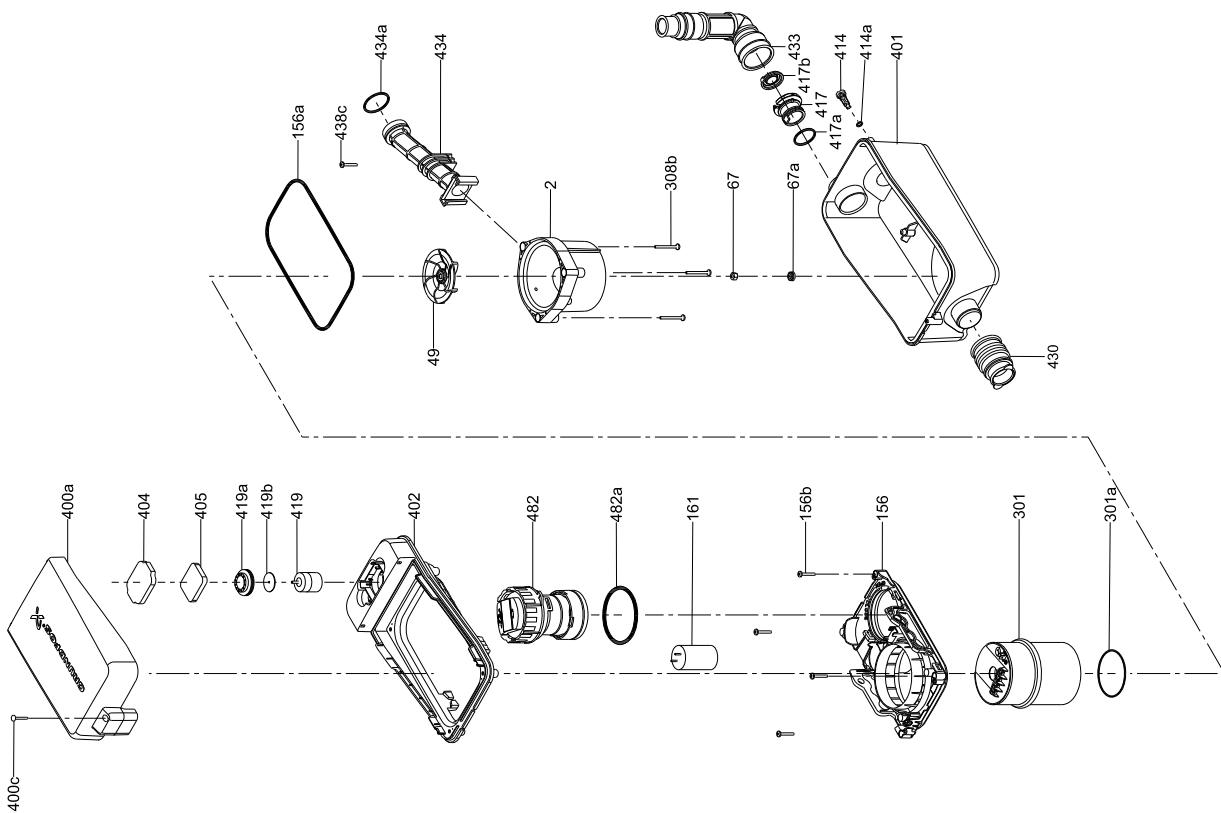
Pos.	Description	C-3	D-2
	Kit No	97775361	97775362
400b	Pipe cover	1	-
401	Tank bottom	1	1
402	Tank top	1	1
404	Filter cover	1	1
405	Carbon filter	1	1
414	Drain plug	1	1
414a	O-ring	1	1
418	Inlet adapter	2	-
418a	O-ring	2	-
418b	Non-return flap valve	2	-
419	Air vent valve	1	1
419a	Gasket	1	1
419b	Rubber washer	1	1
434	Discharge pipe	1	1
434a	O-ring	-	1
438	Fixing device	1	-
438a	Adapter	1	-
438b	Retaining ring	1	-
438c	Screw	-	1
443	Discharge connector	1	-
443b	Screw	4	-
532	Blanking plug	1	-
532a	O-ring	1	-
532b	Screw	1	-

C-3



TM05 0001 0911

D-2



TM05 0005 0911