

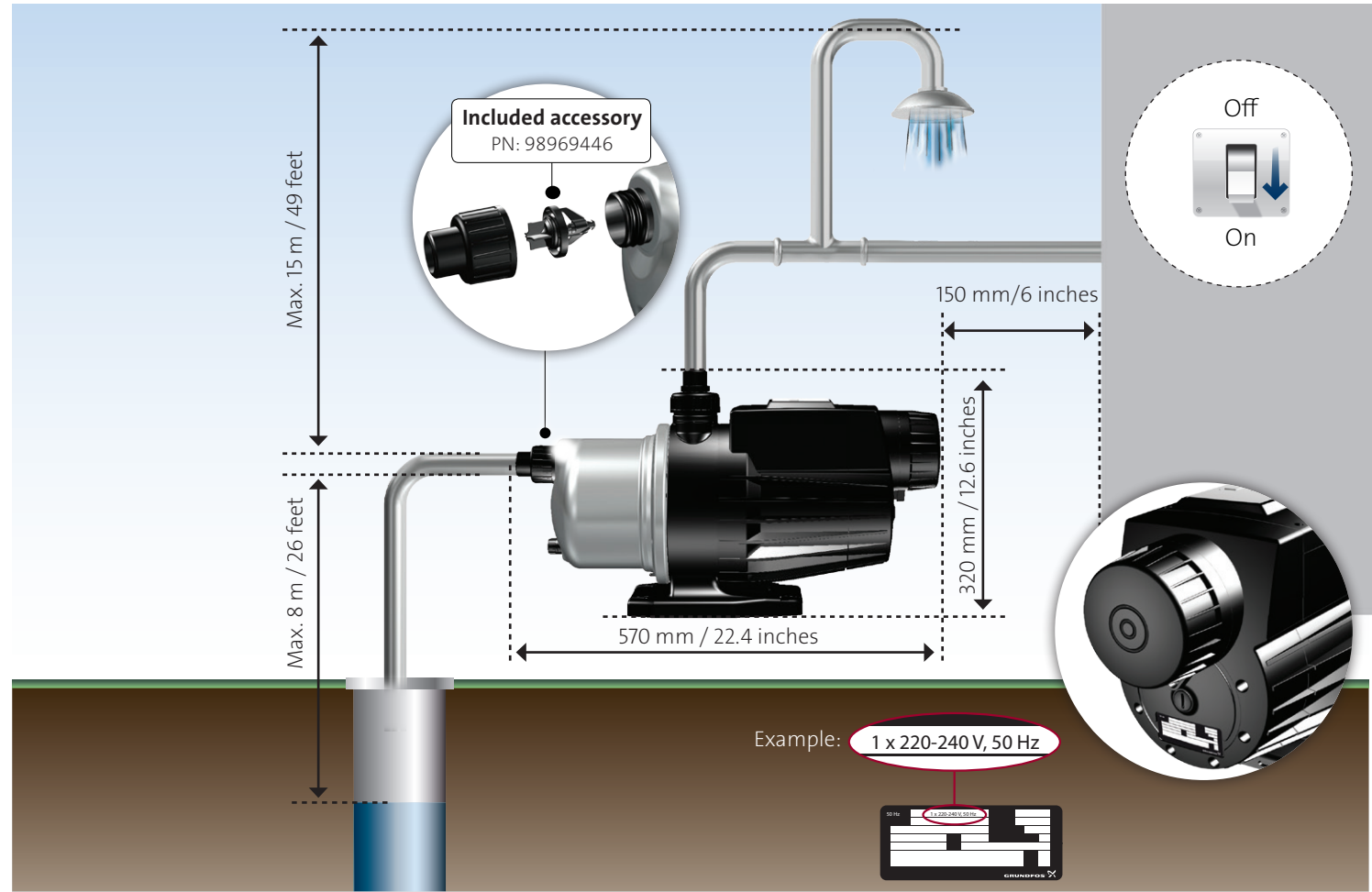
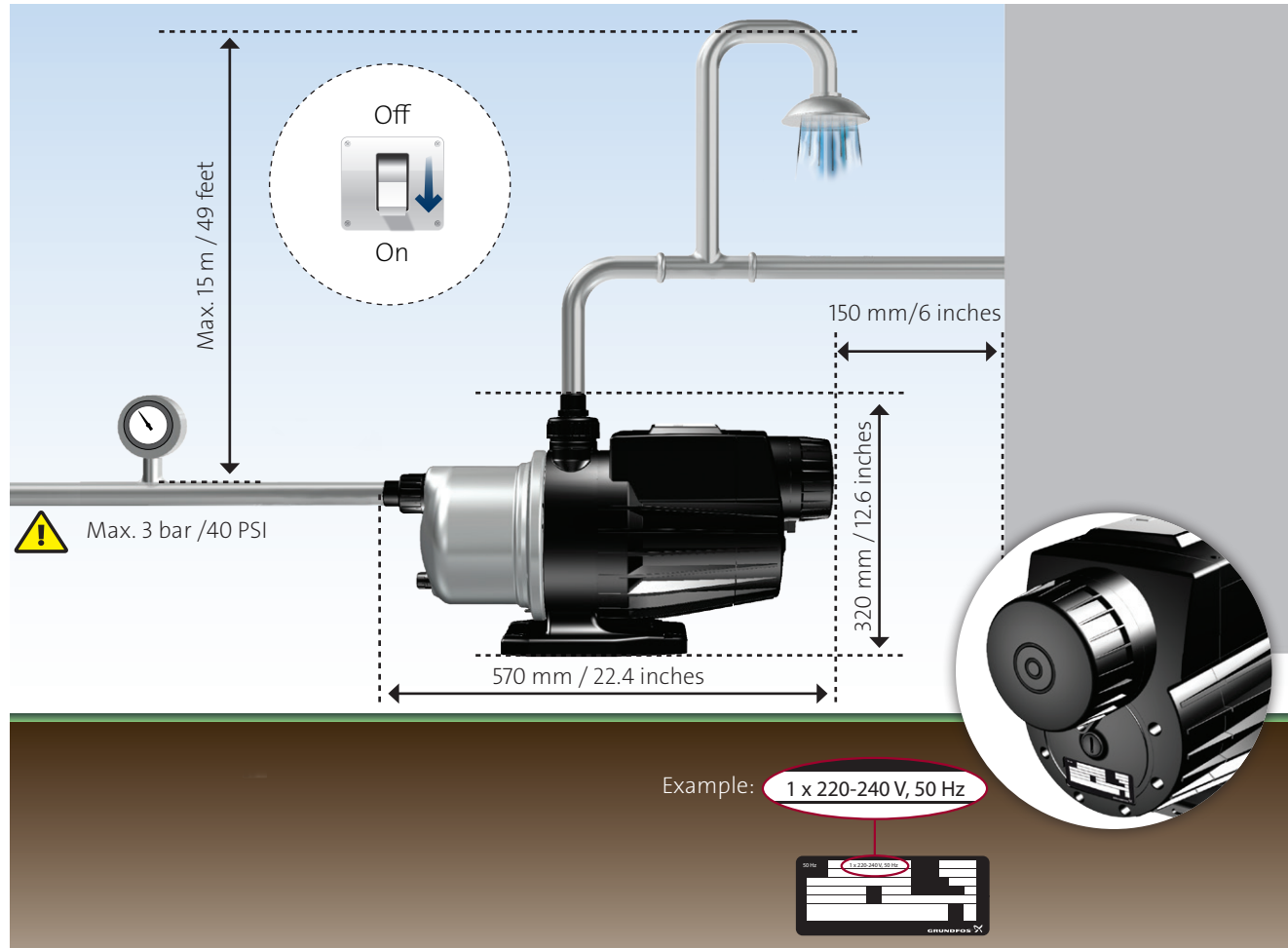
GRUNDFOS MQ

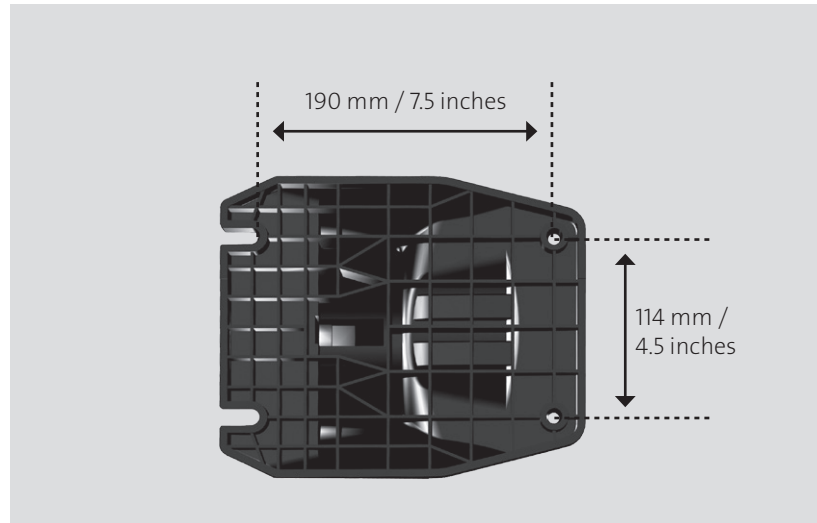
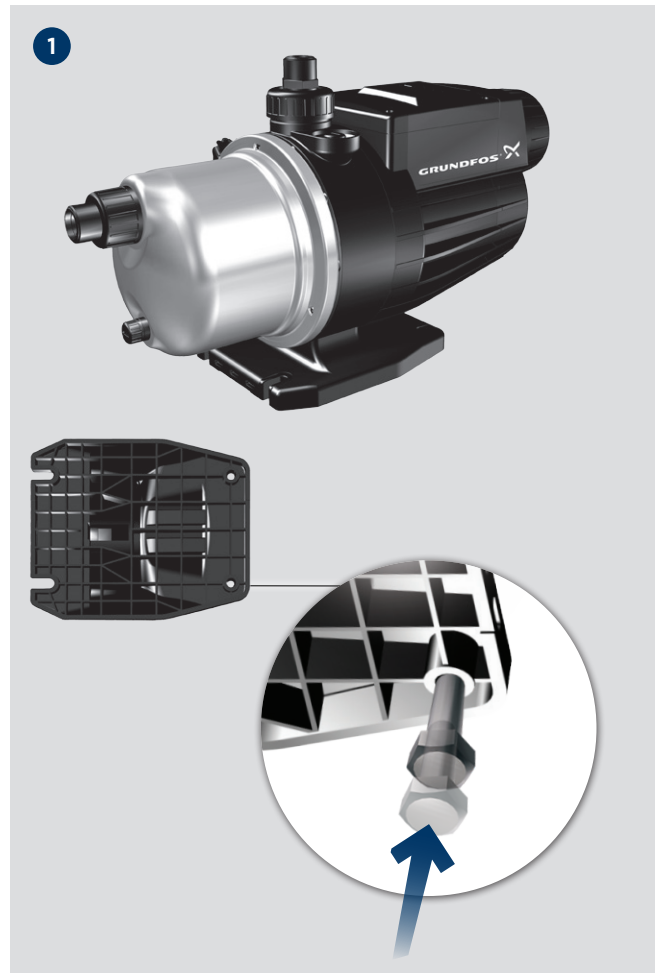
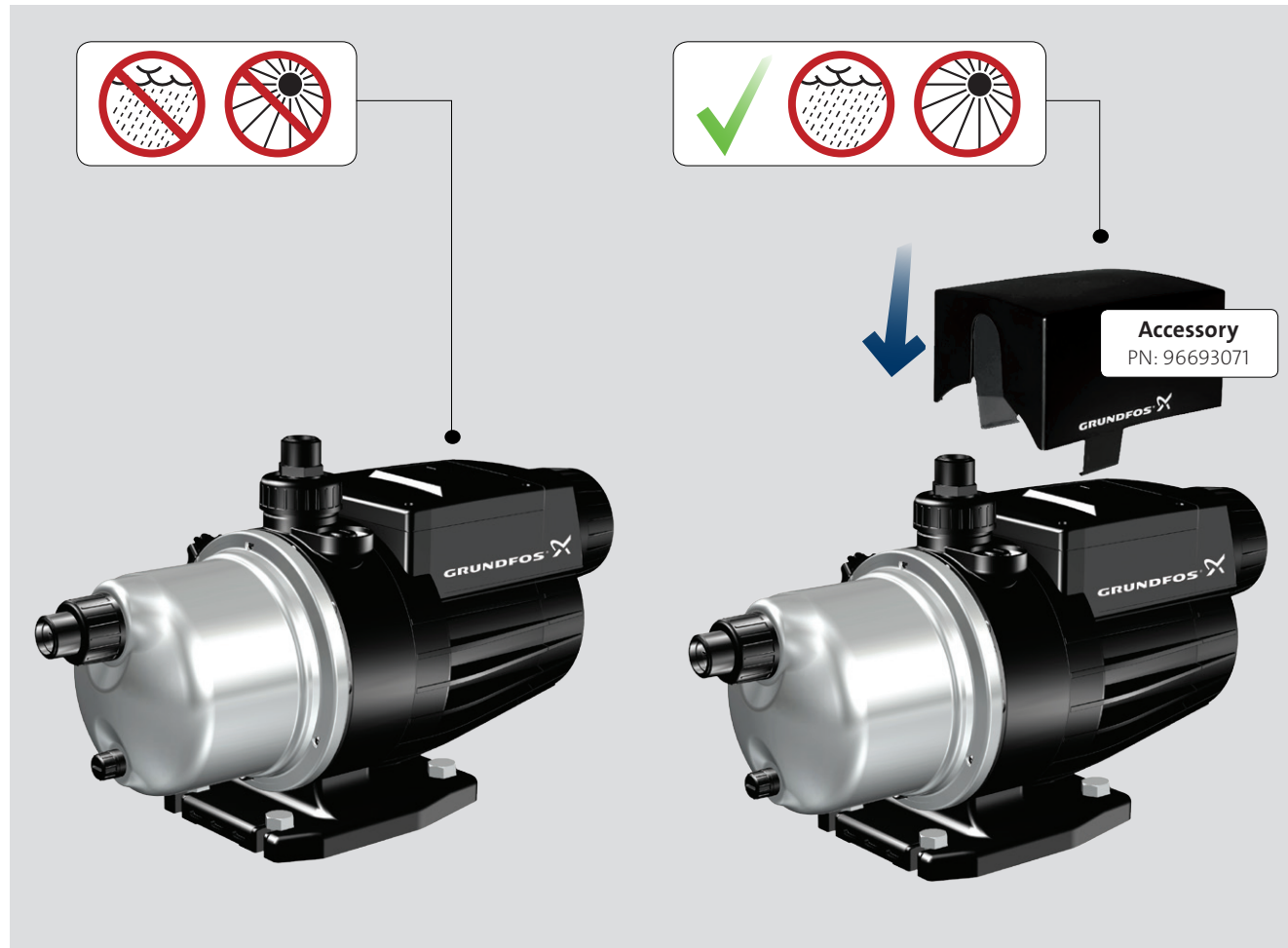
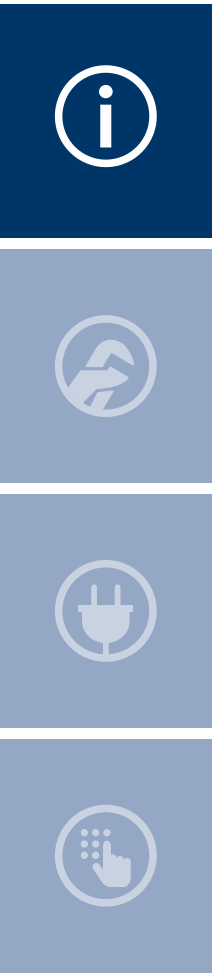


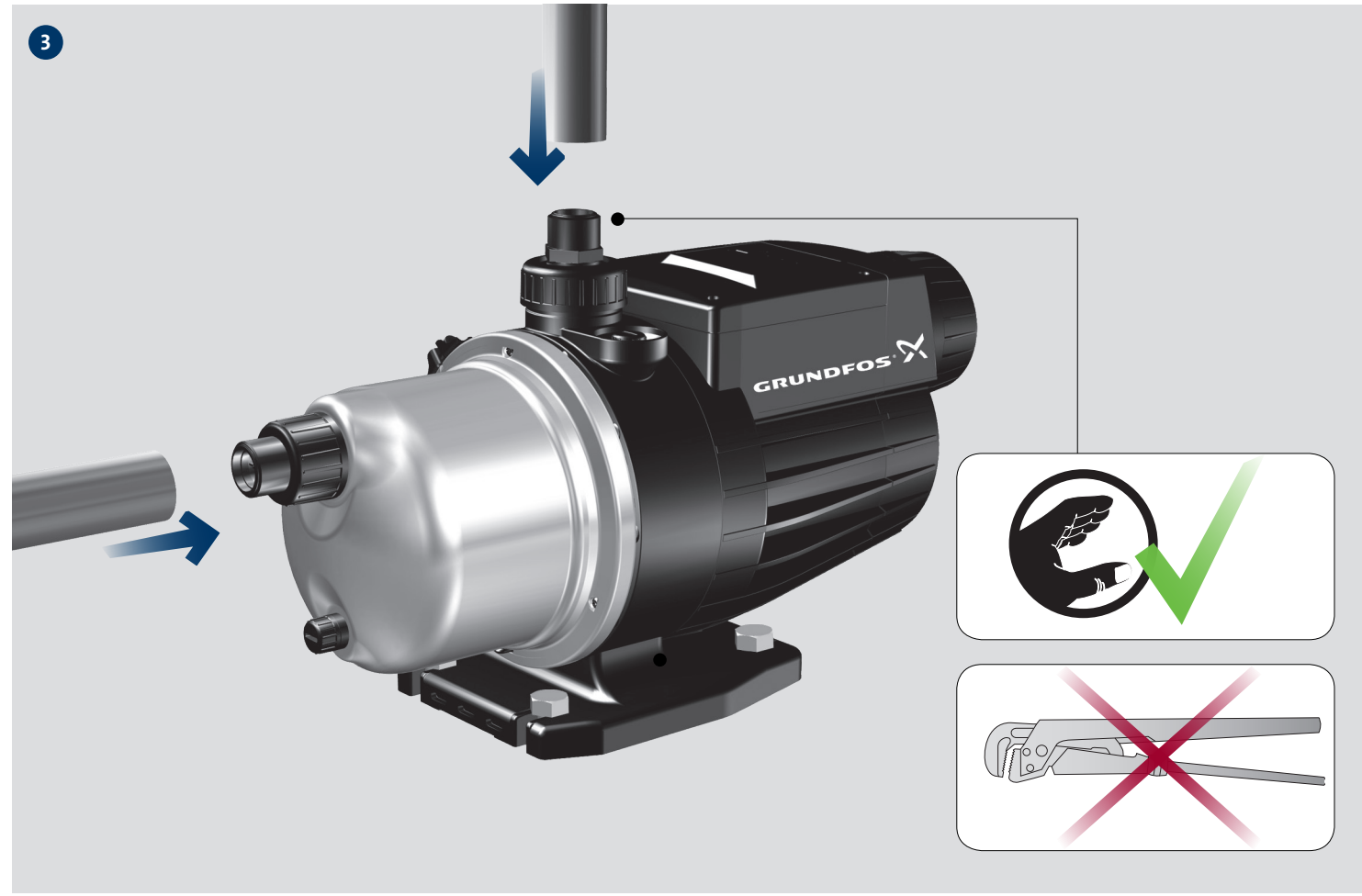
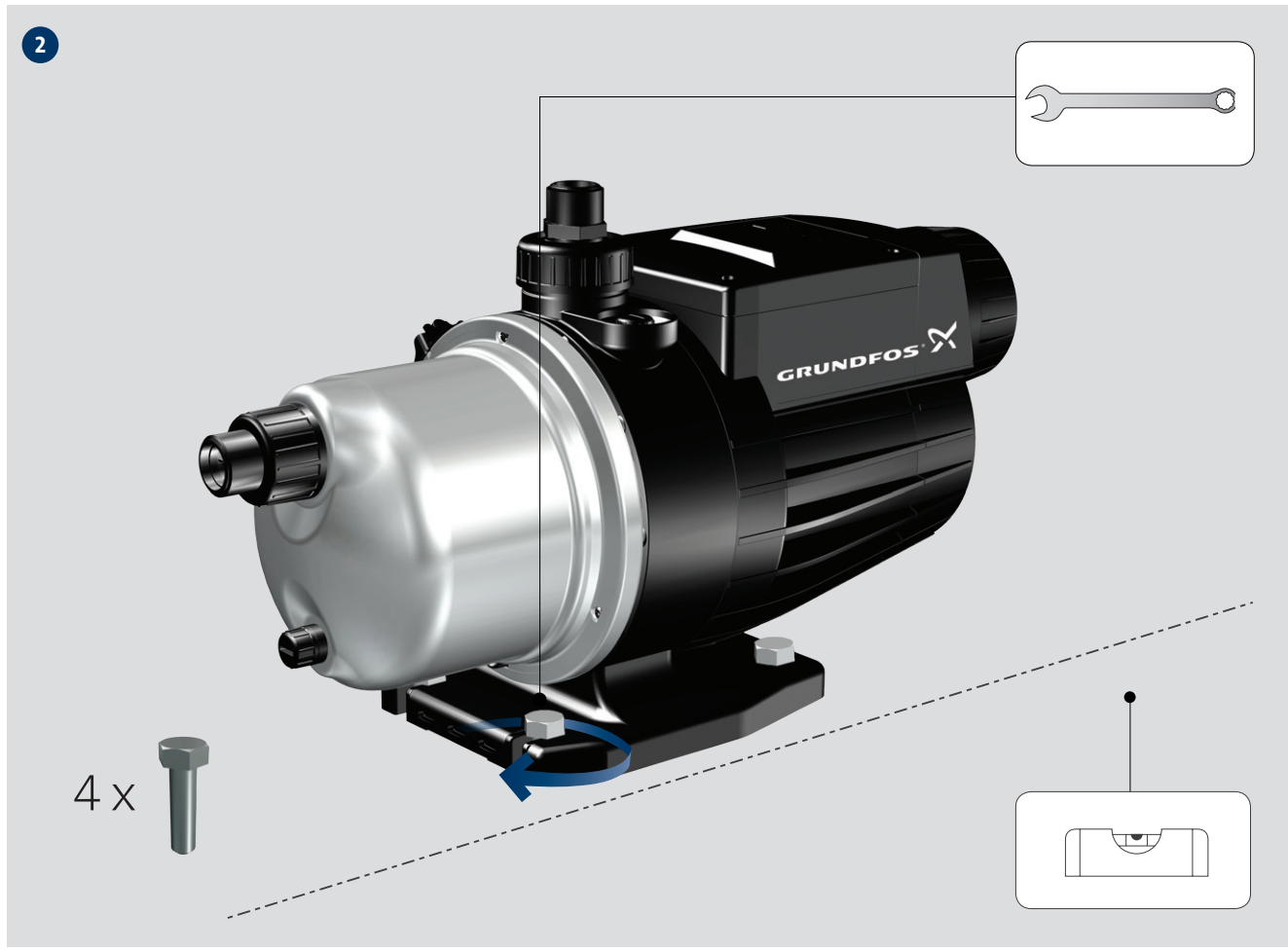
<http://qr.grundfos.com/i/MQinstallation>

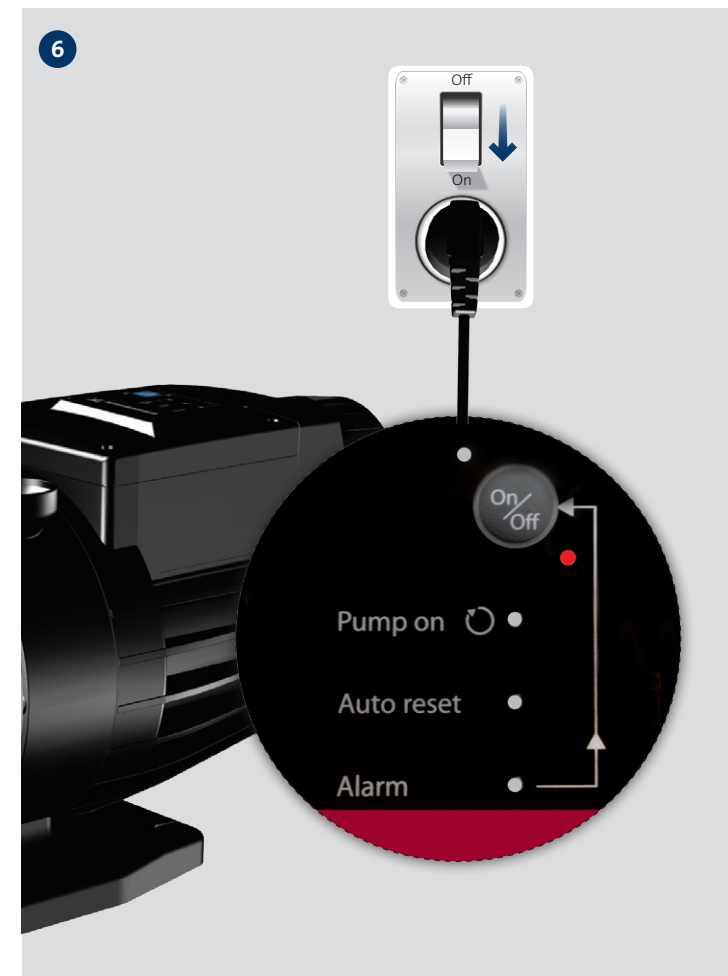
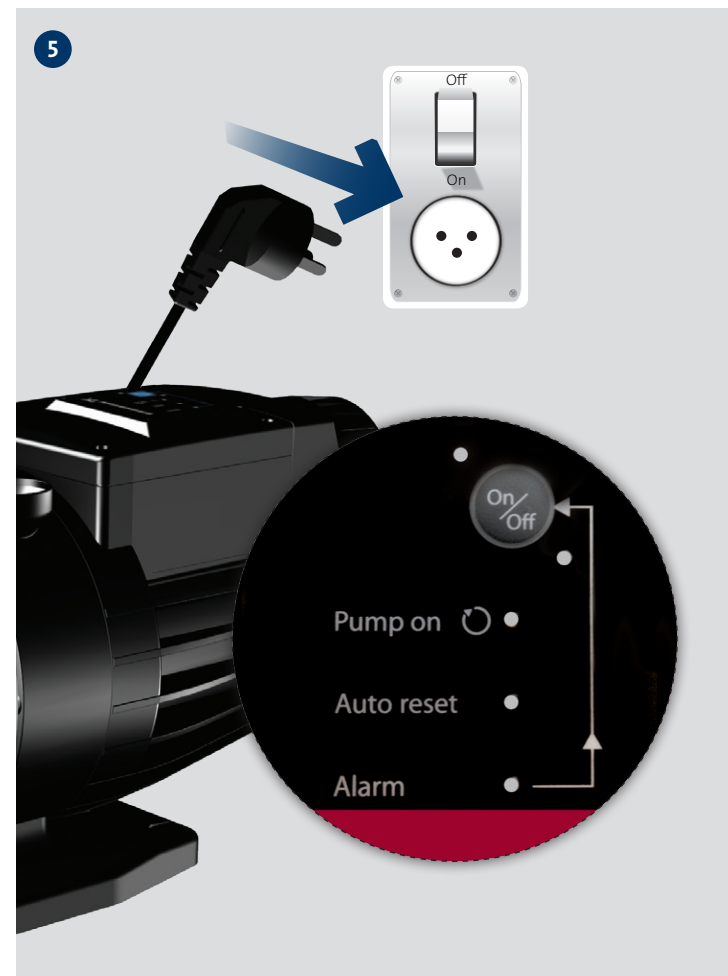
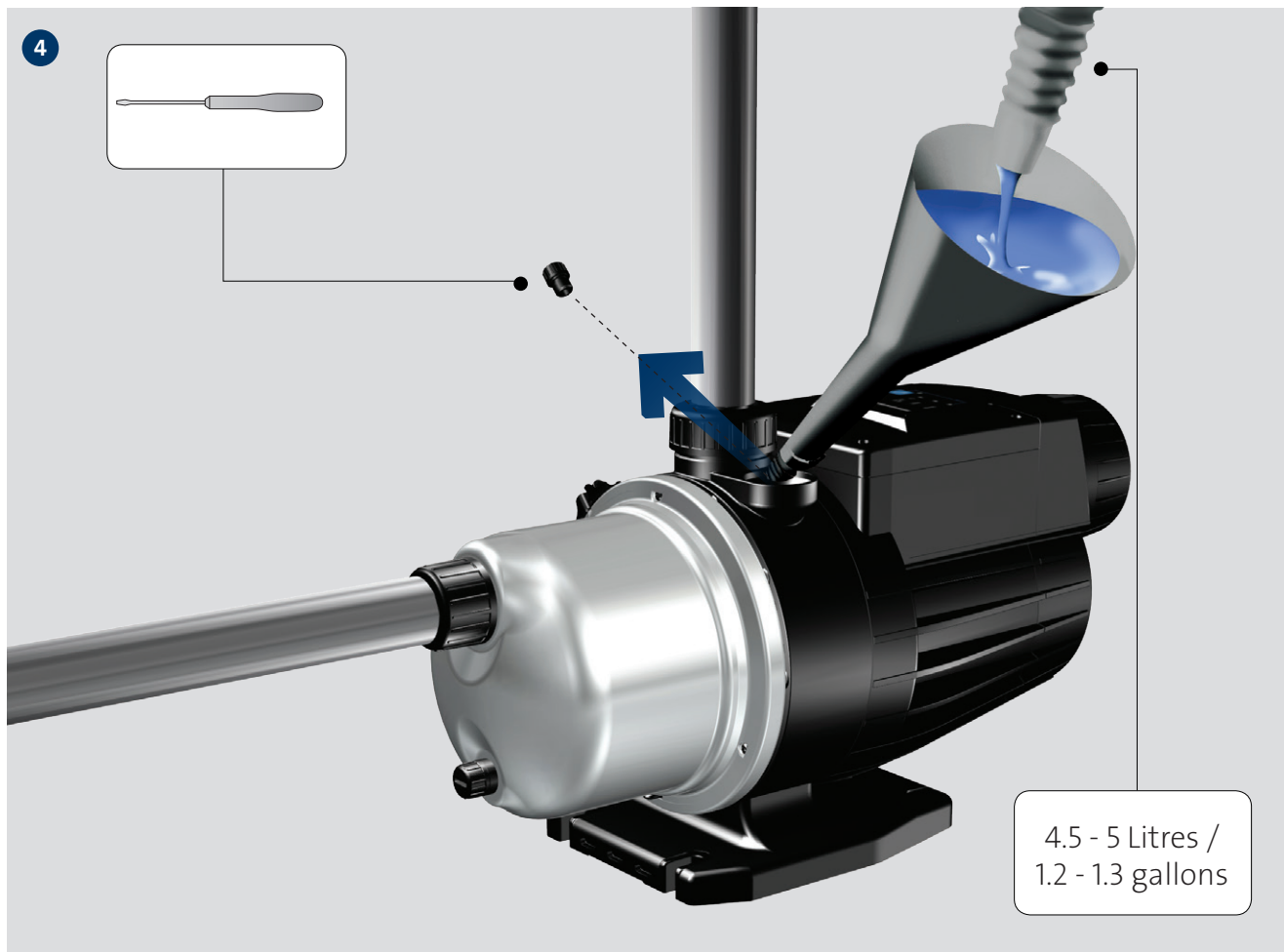
be
think
innovate

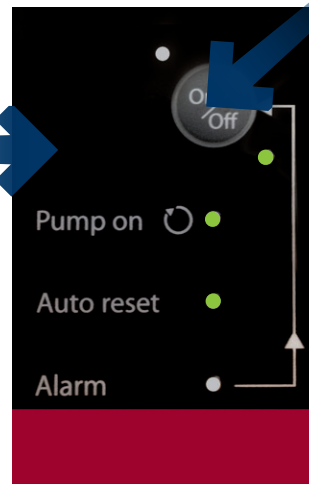
GRUNDFOS 











GRUNDFOS Holding A/S

Poul Due Jensens Vej 7
DK-8850 Bjerringbro
Tlf.: +45-87 50 14 00

98338977 0216

ECM: 1178728

be think innovate

Pumpland.ru

GRUNDFOS 

The name Grundfos, the Grundfos logo, and the payoff be think innovate are registered trademarks owned by Grundfos Holding A/S or Grundfos A/S, Denmark. All rights reserved worldwide.