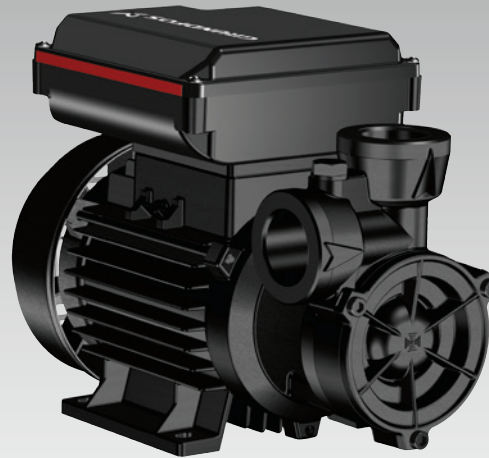


NS/PF



Further product
documentation



net.grundfos.com/qr/i/99057323

be
think
innovate

GRUNDFOS 

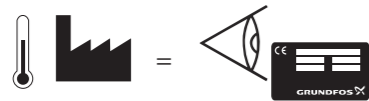


Max. bar =

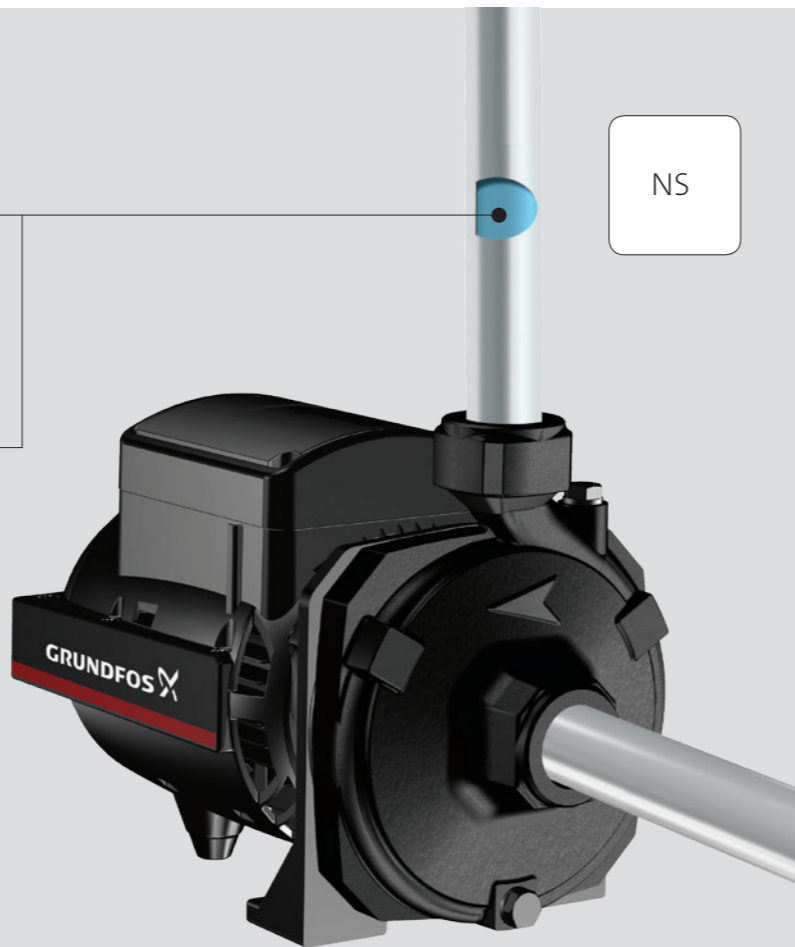


NS

= Min./Max.
0 °C / +35 °C



= Min./Max. 0 °C / +40 °C



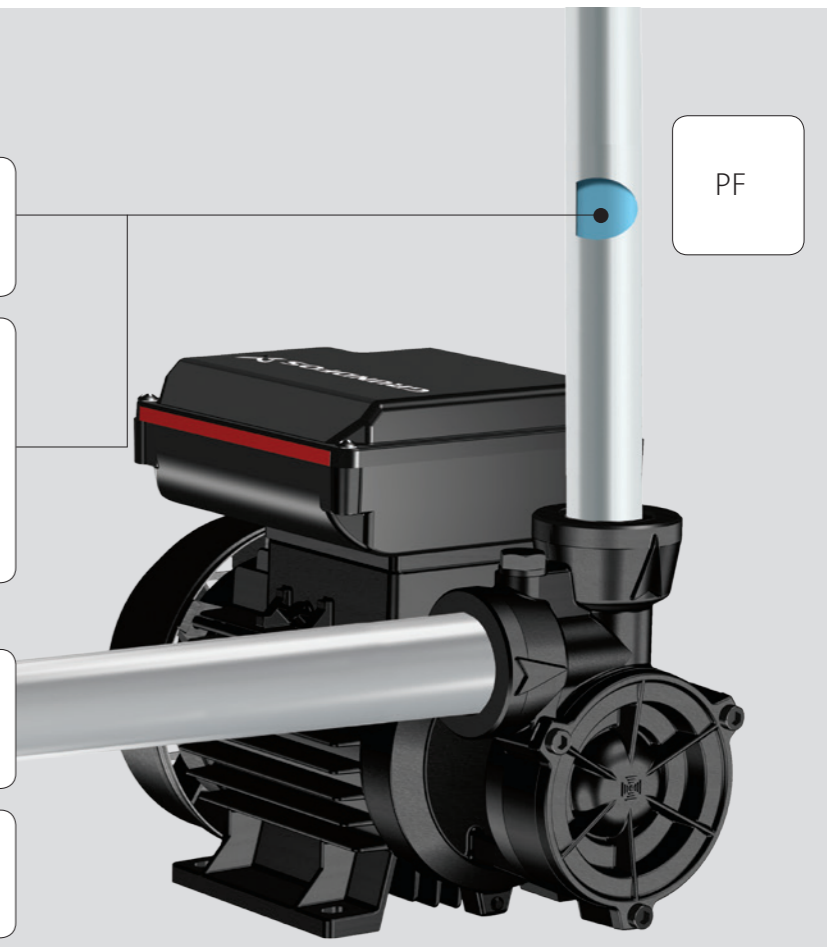
PF 1-30 Max. 6 bar
PF 2-50 Max. 10 bar

PF

= Min./Max.
0 °C / +35 °C

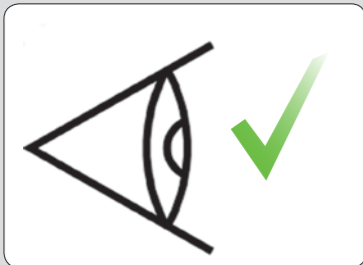
= Min./Max.
-10 °C / +50 °C

= Min./Max. 0 °C / +40 °C

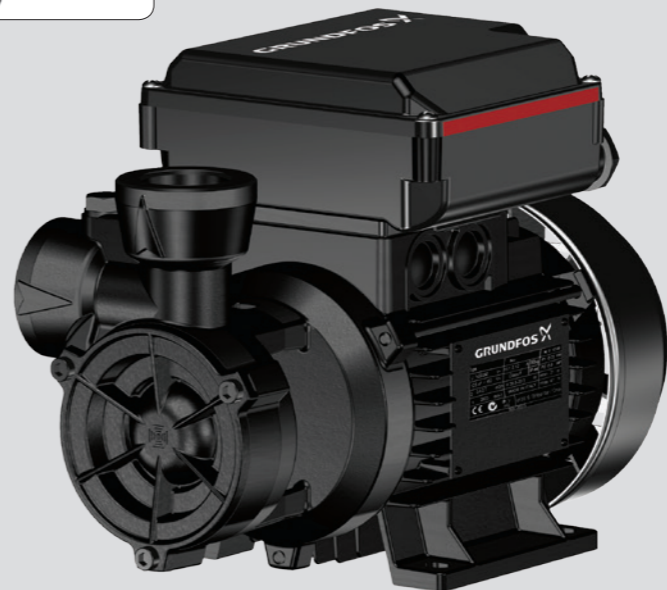
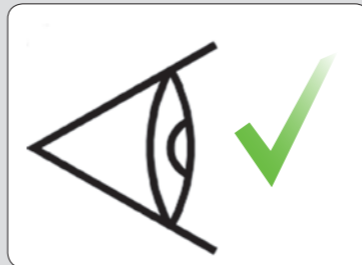


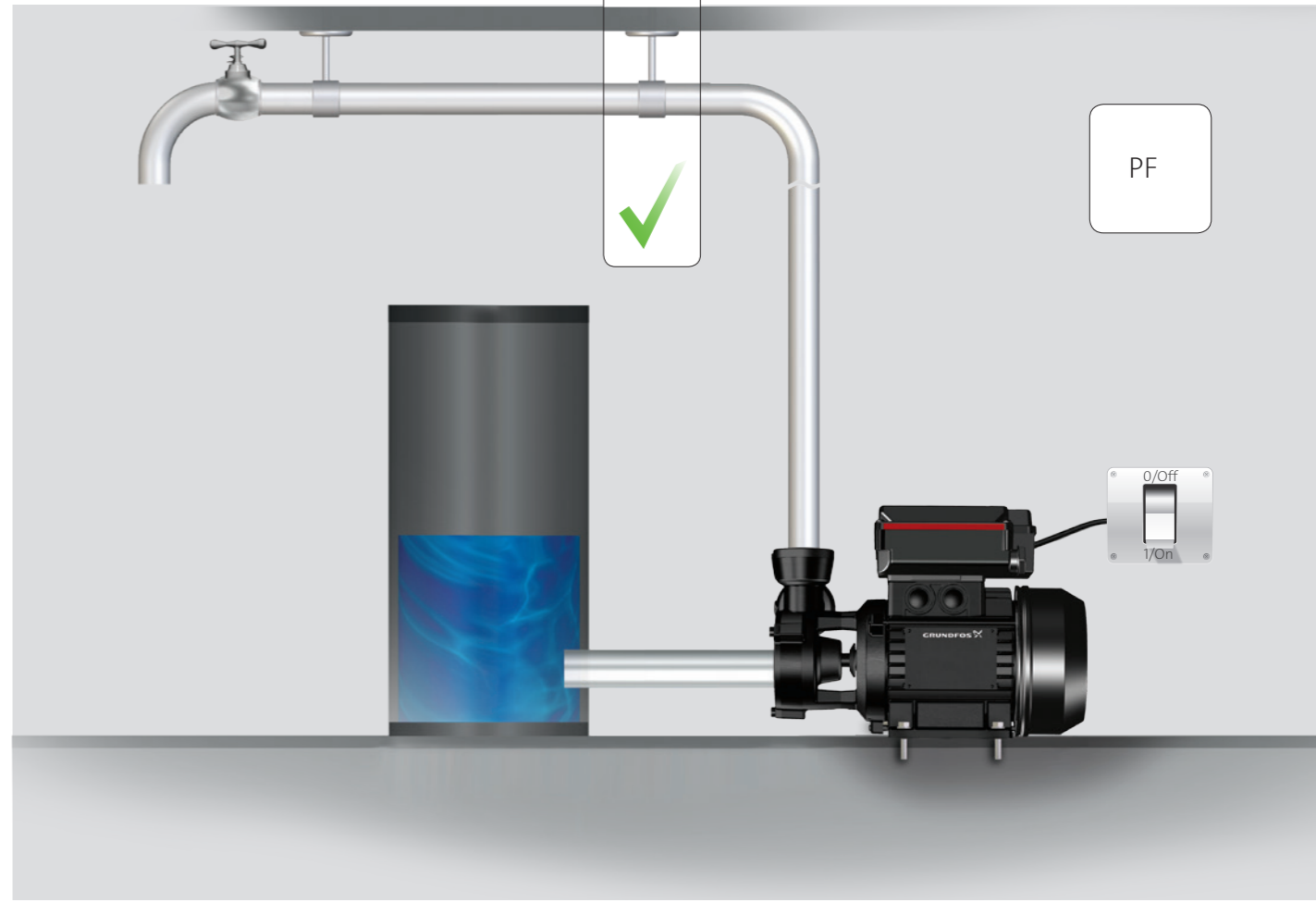
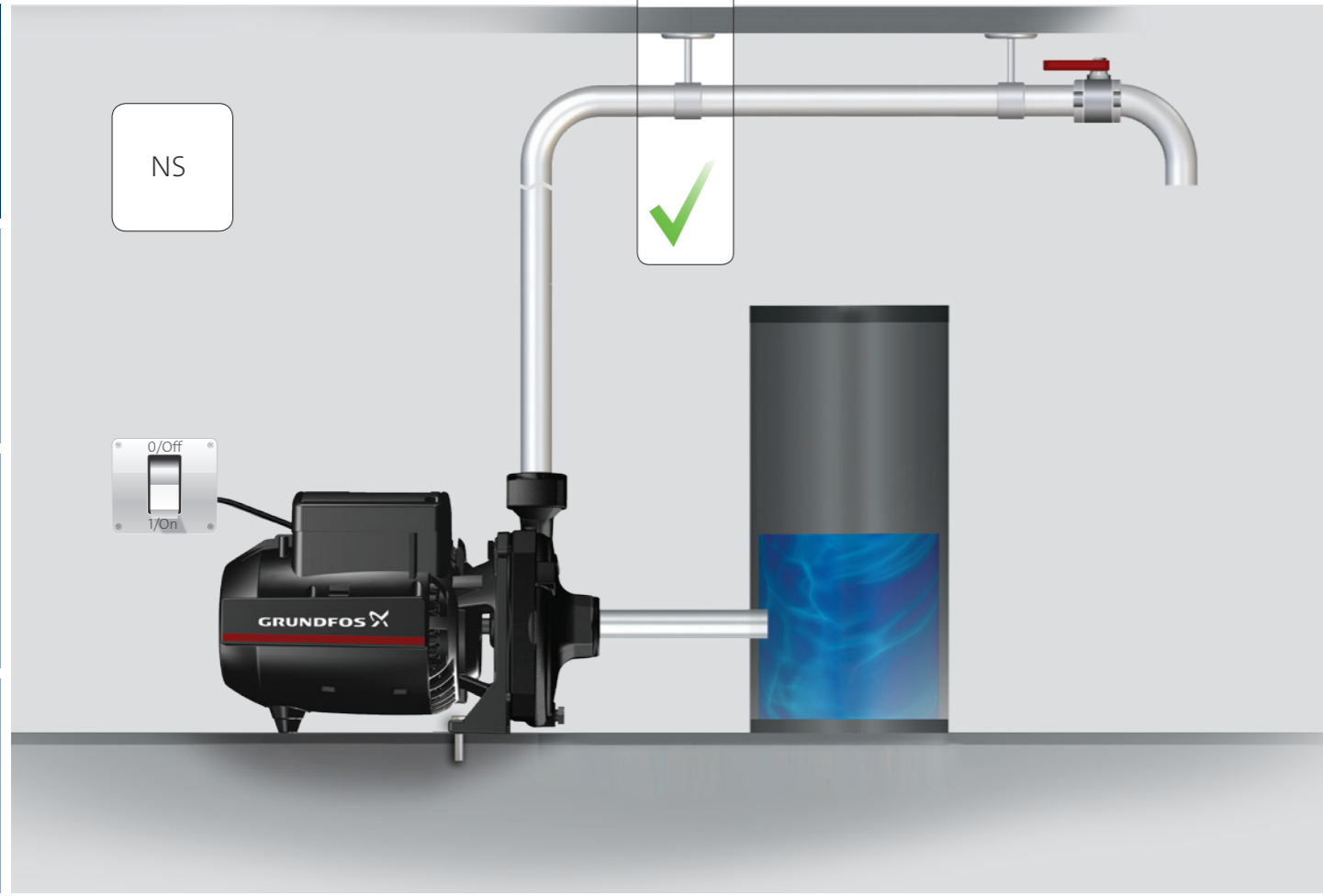


1A



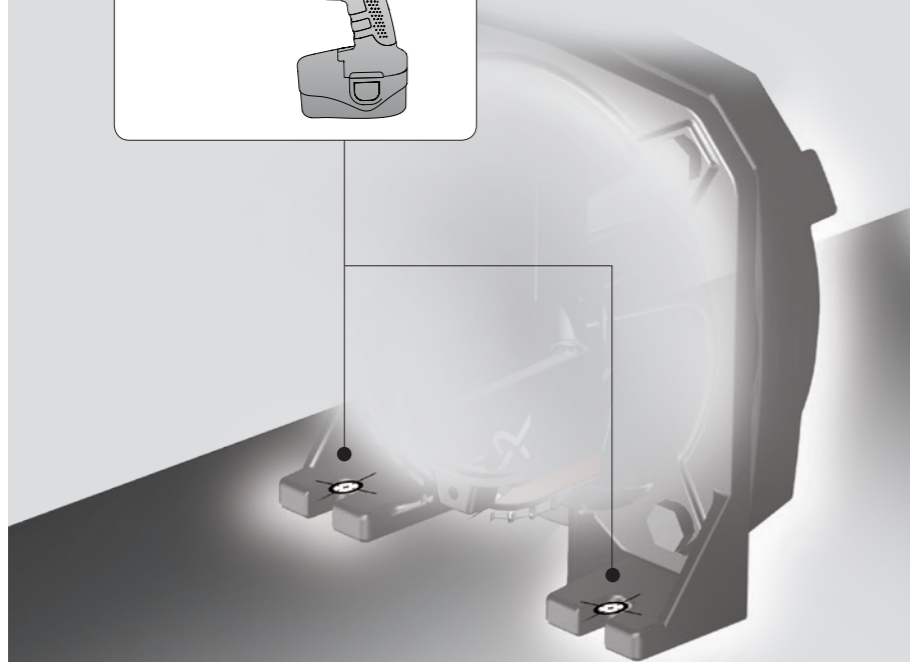
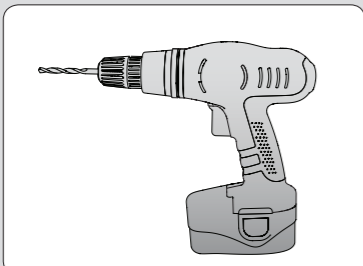
1B



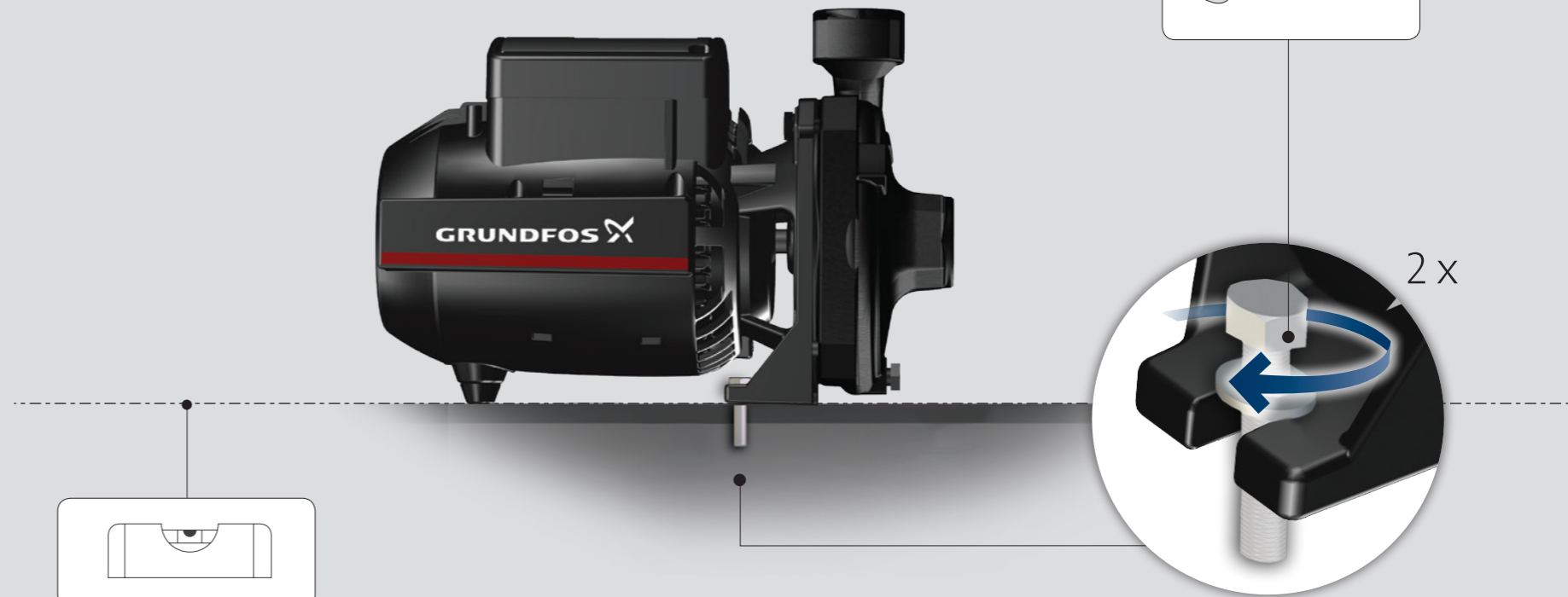
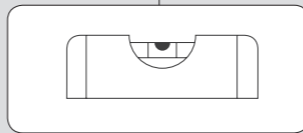
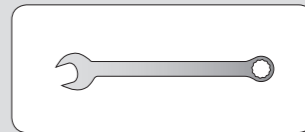


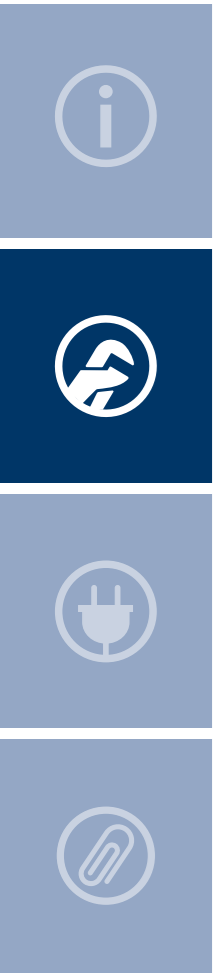


2A

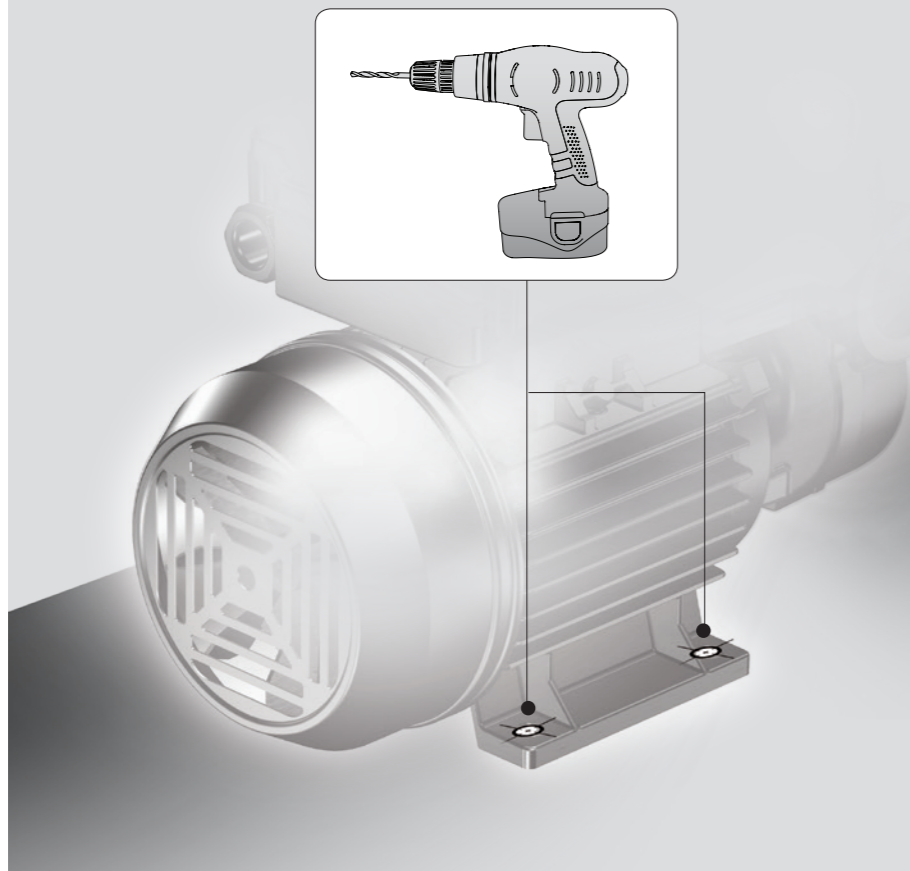


3A

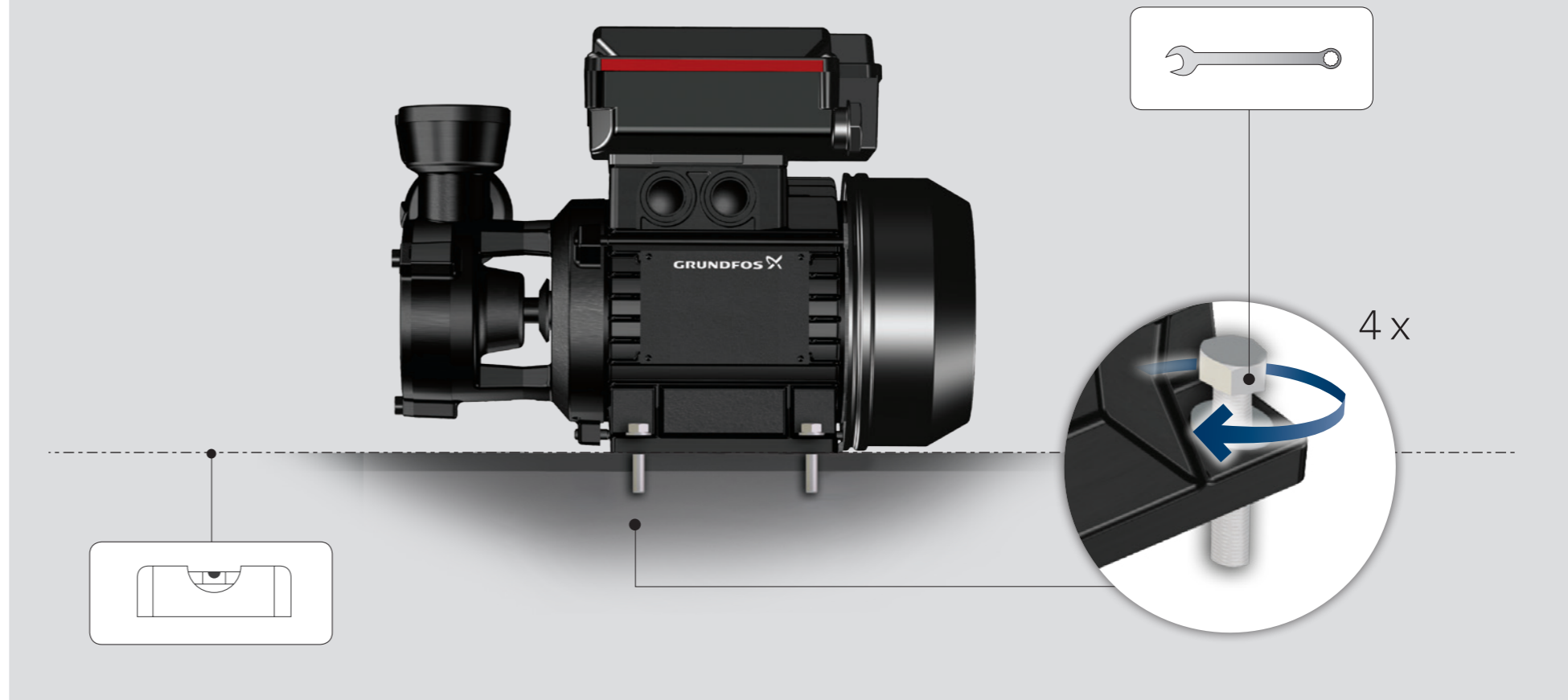


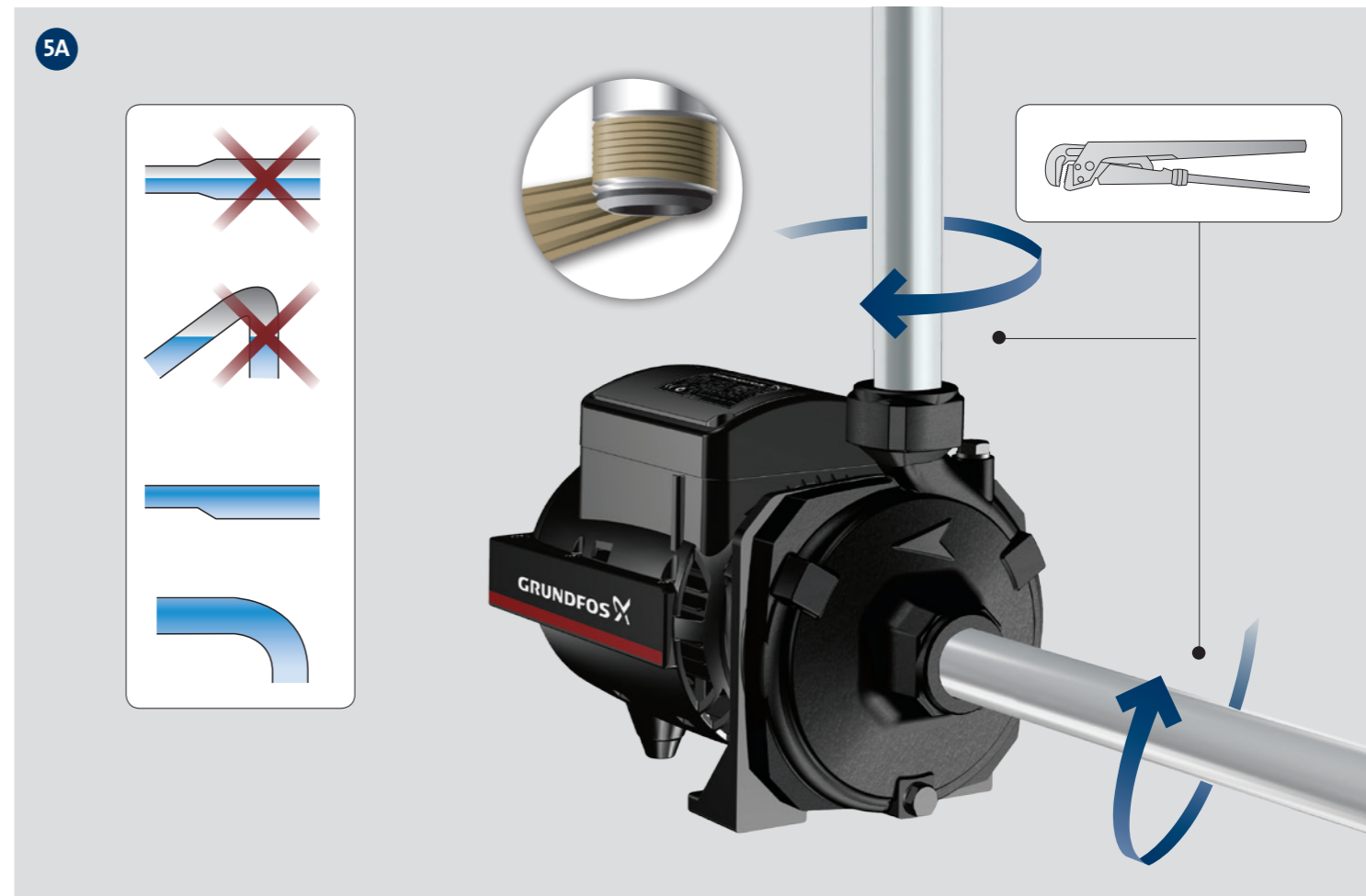
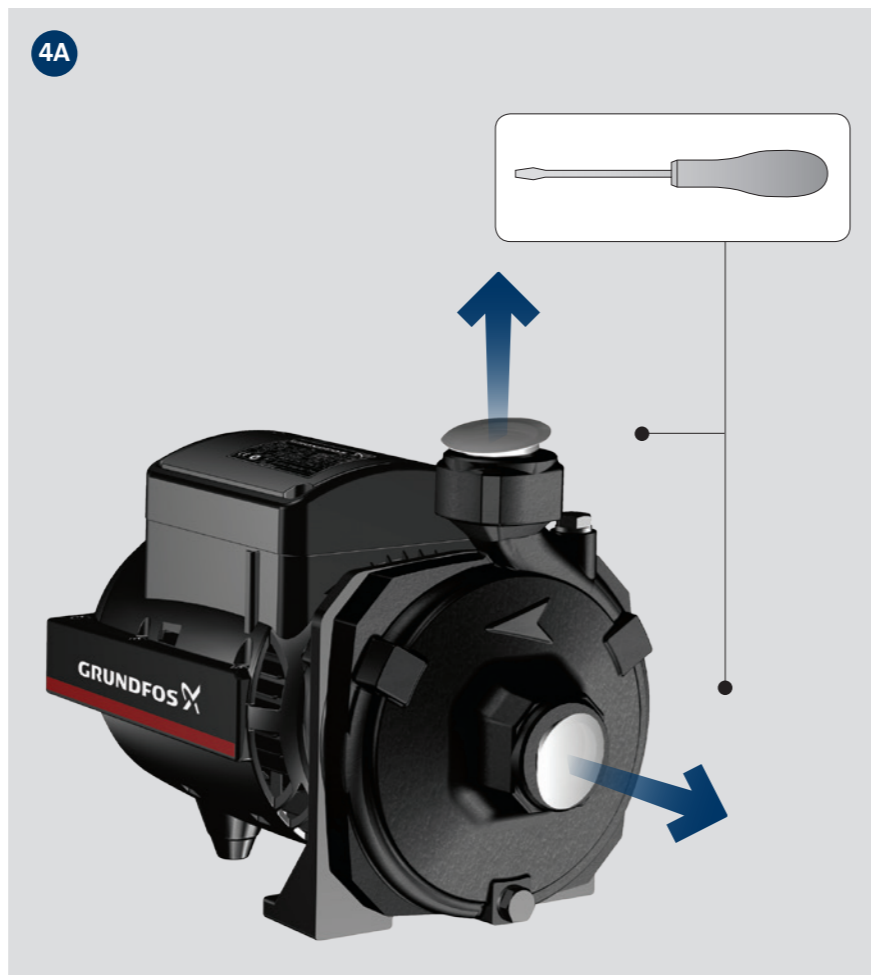
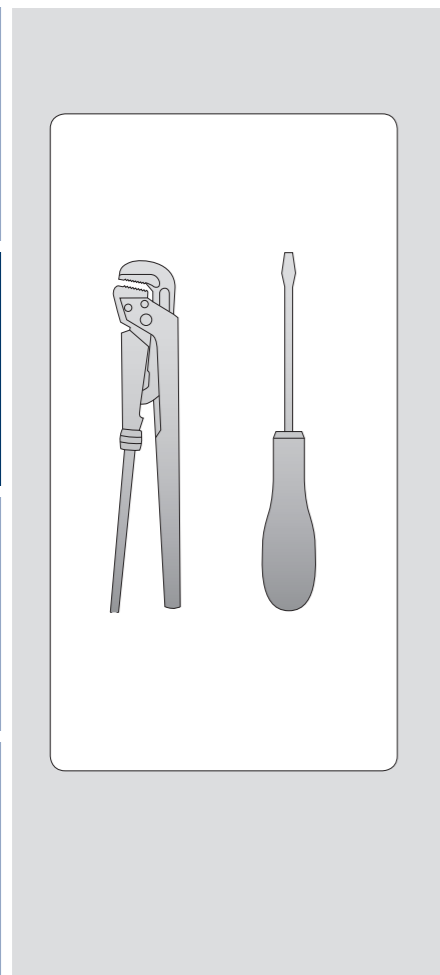
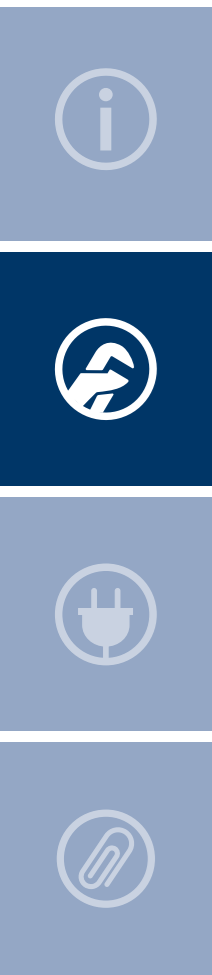


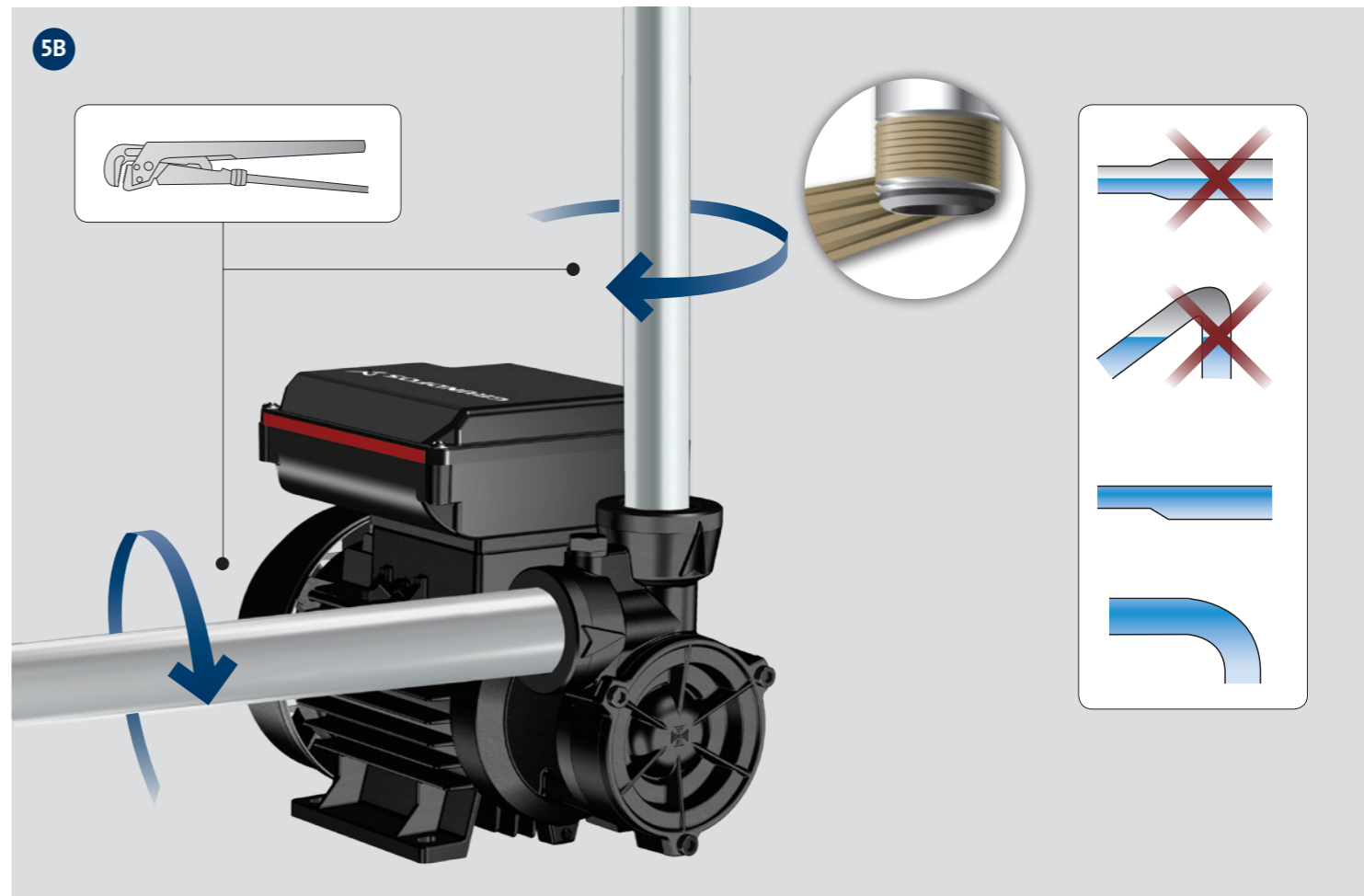
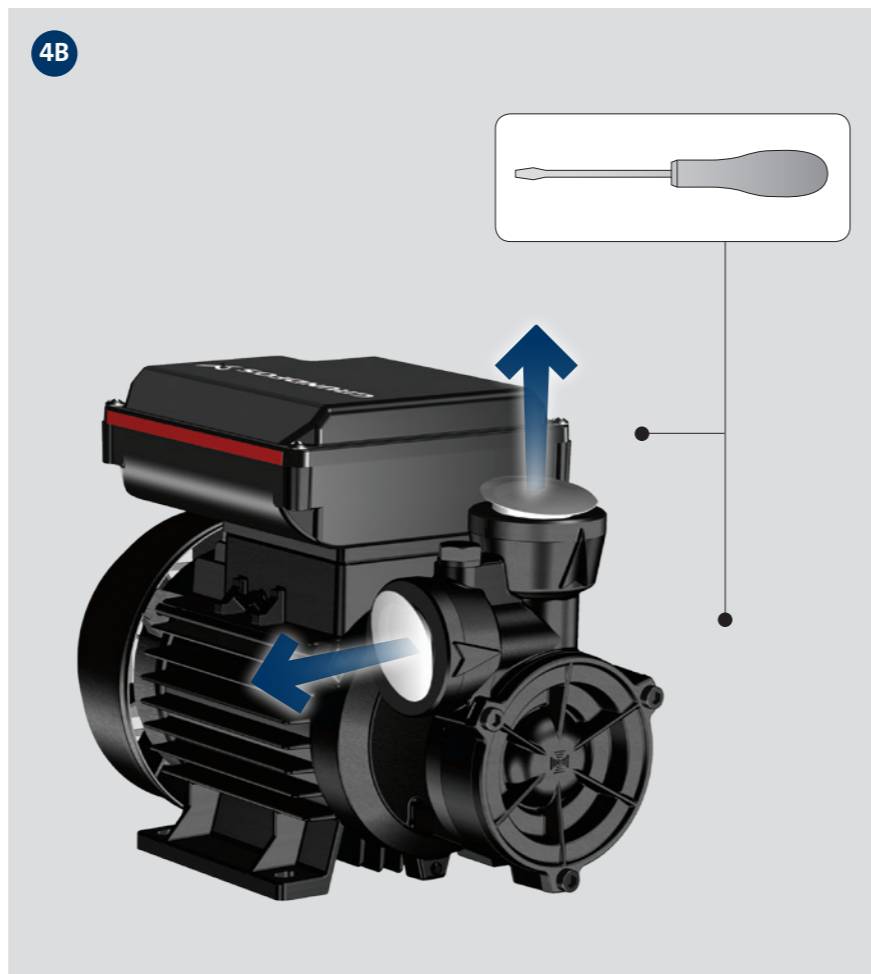
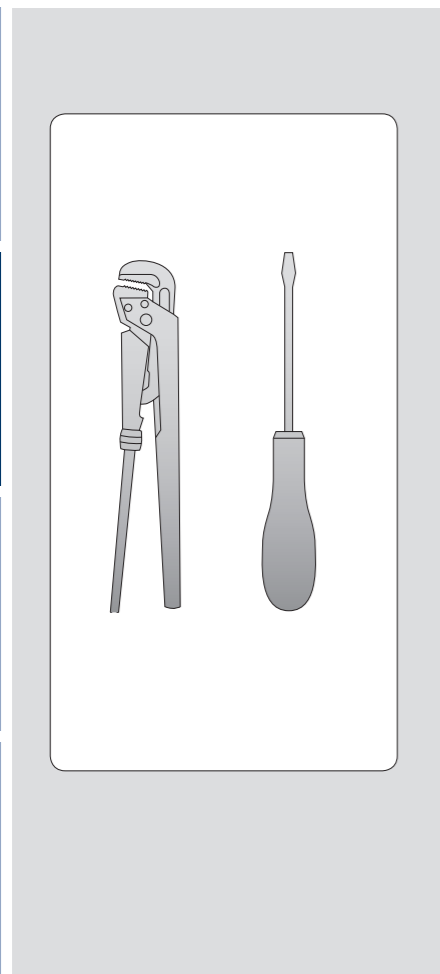
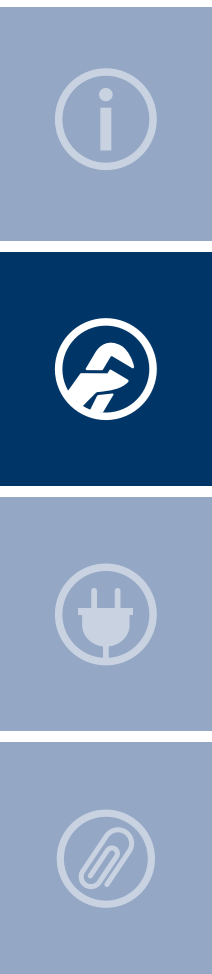
2B

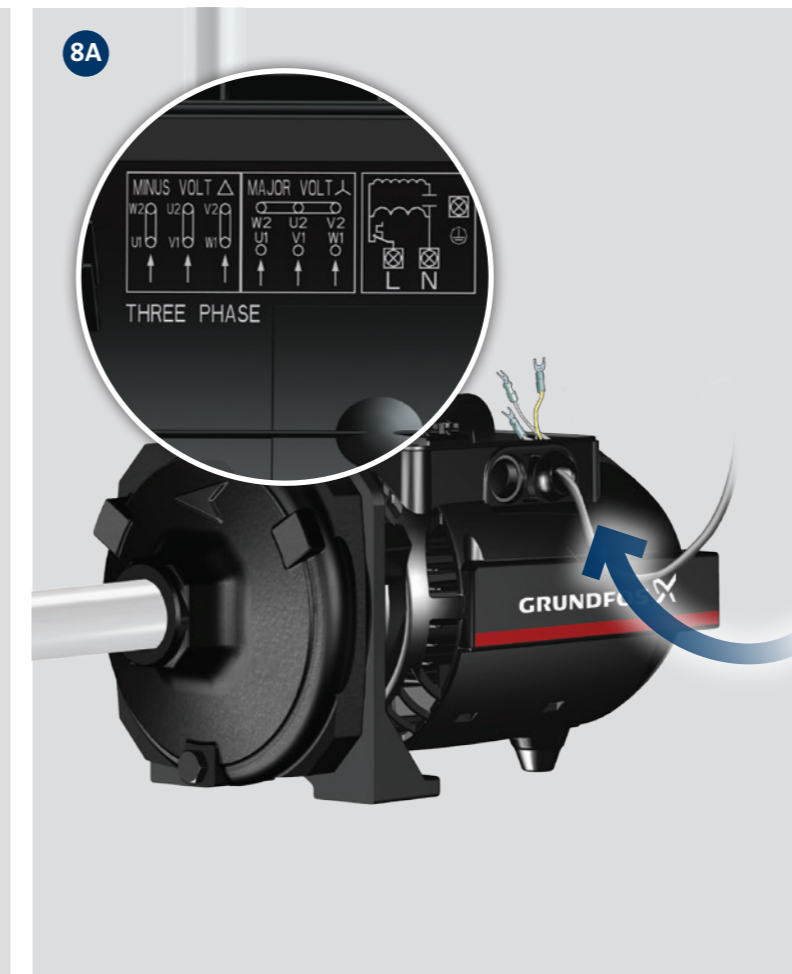
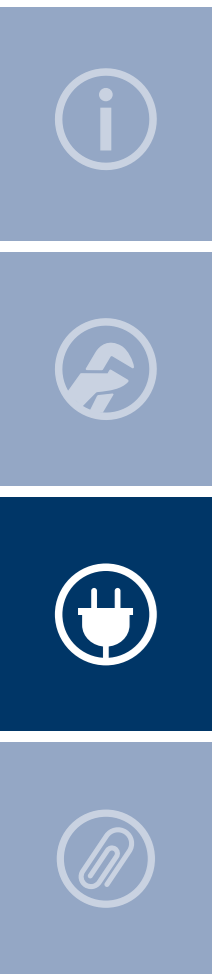


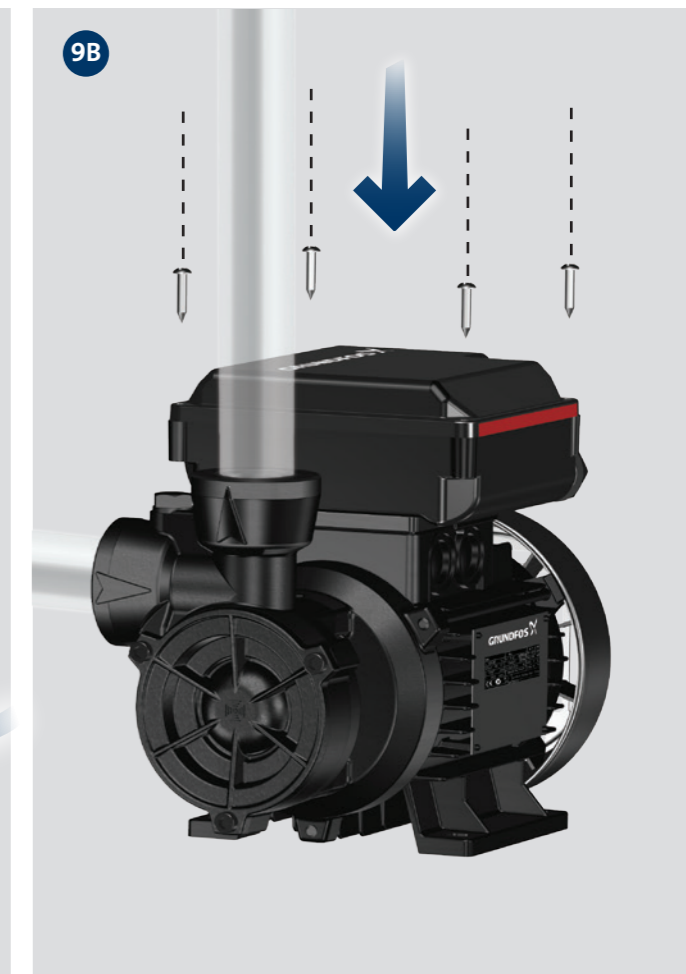
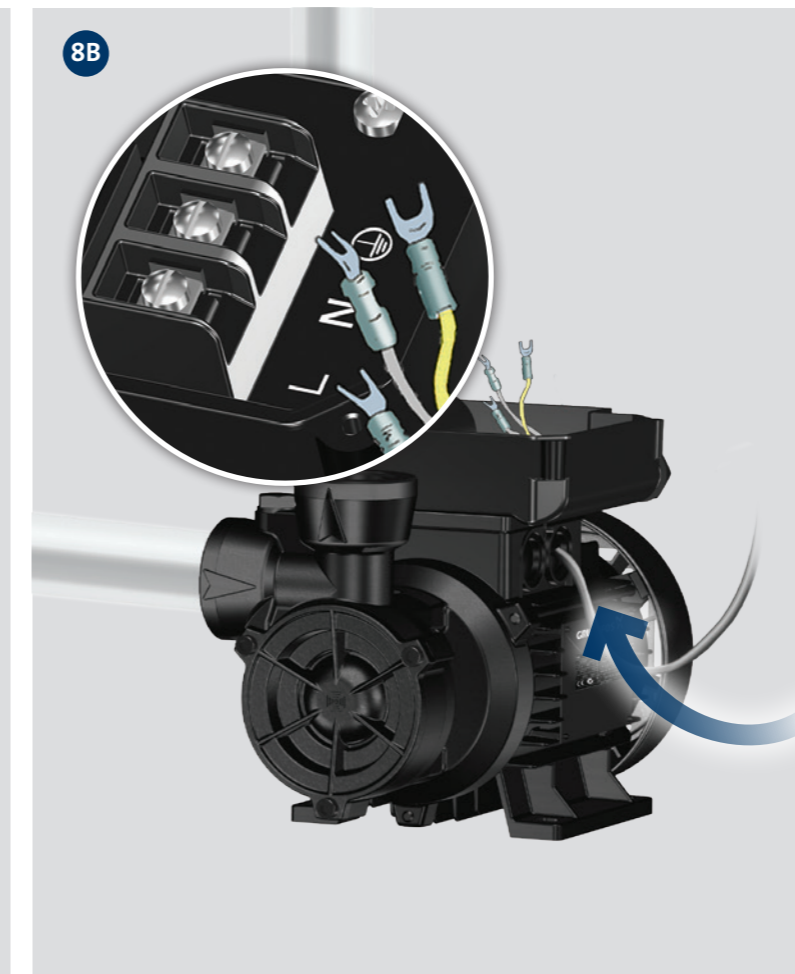
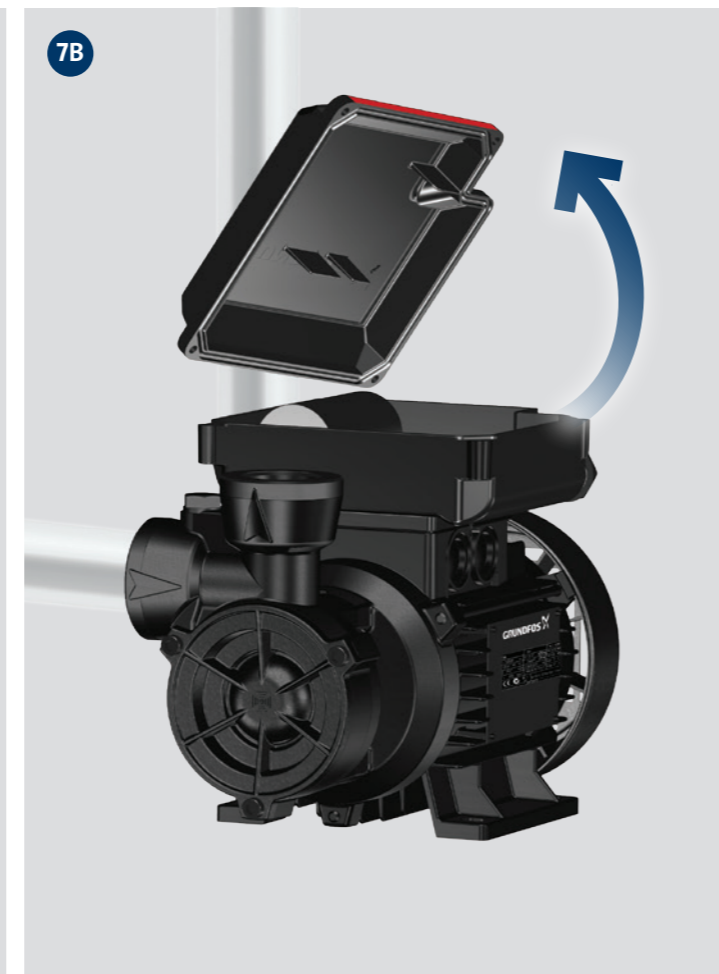
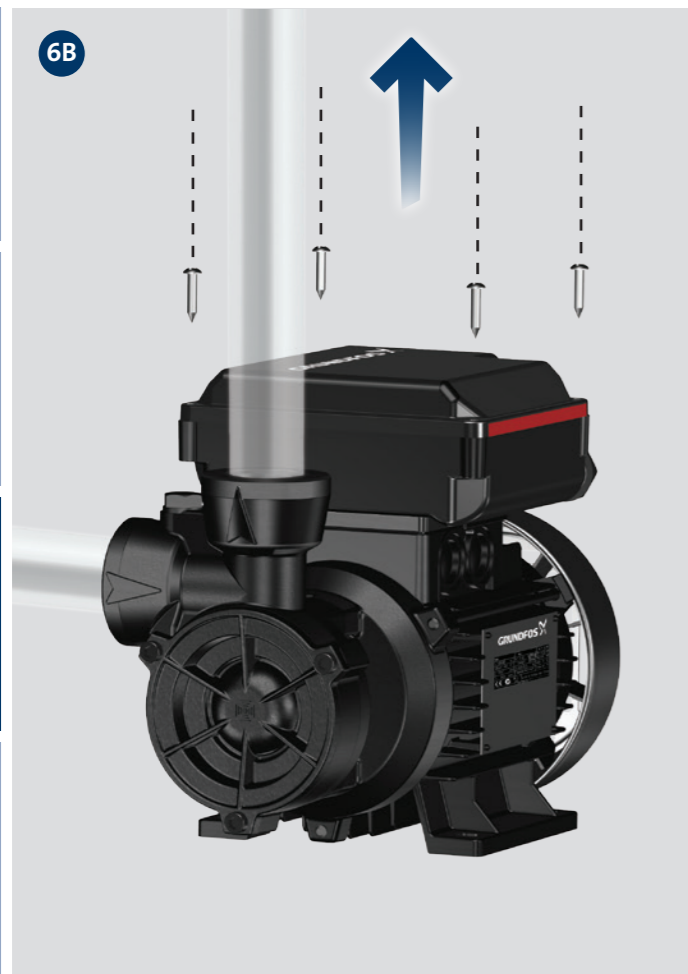
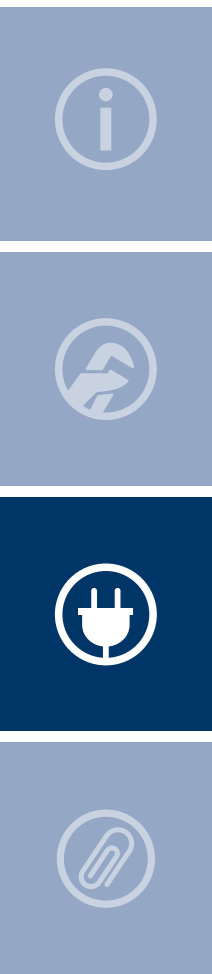
3B

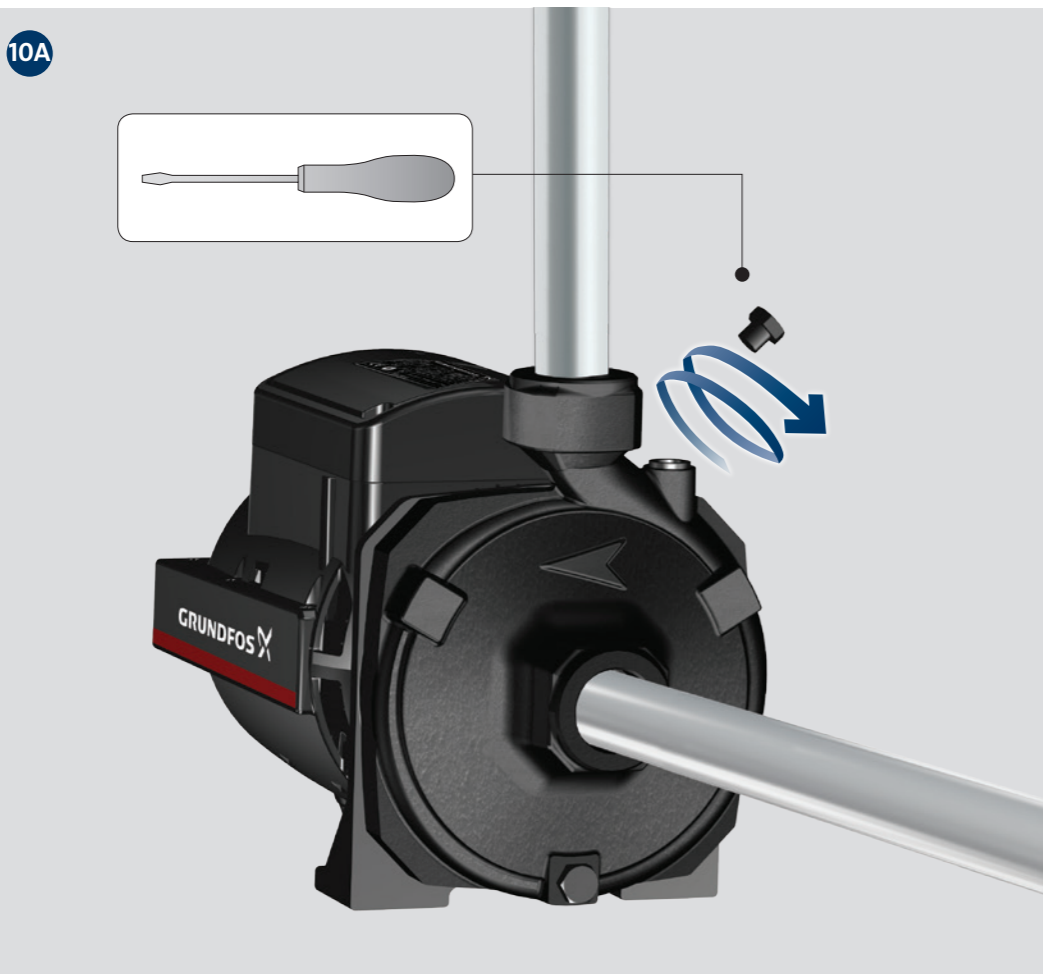


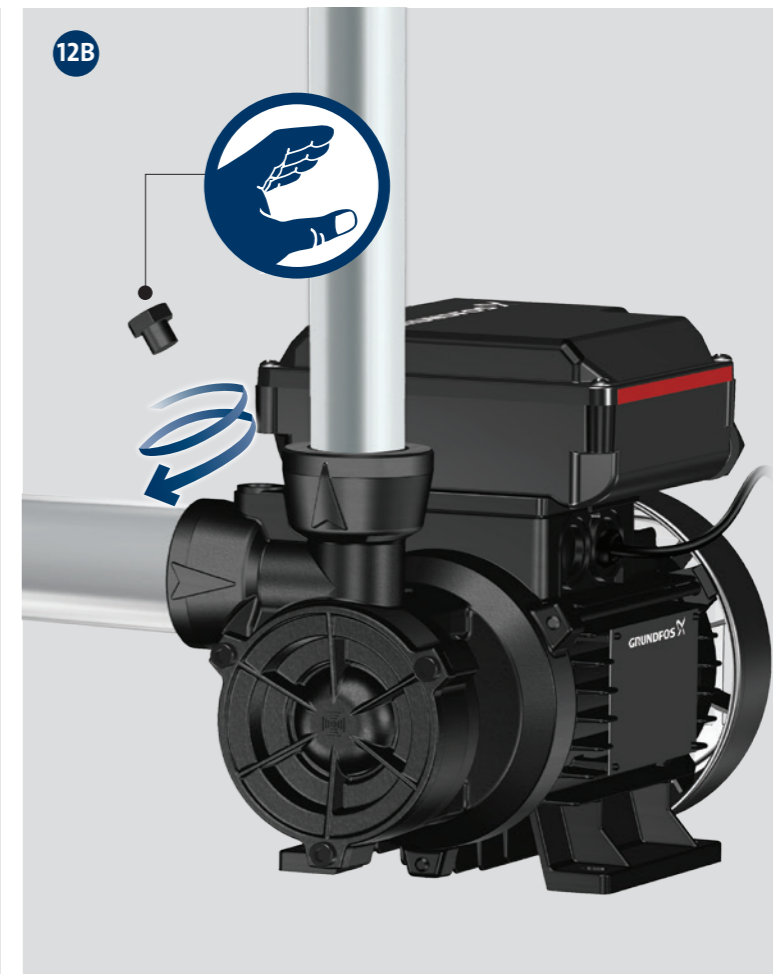
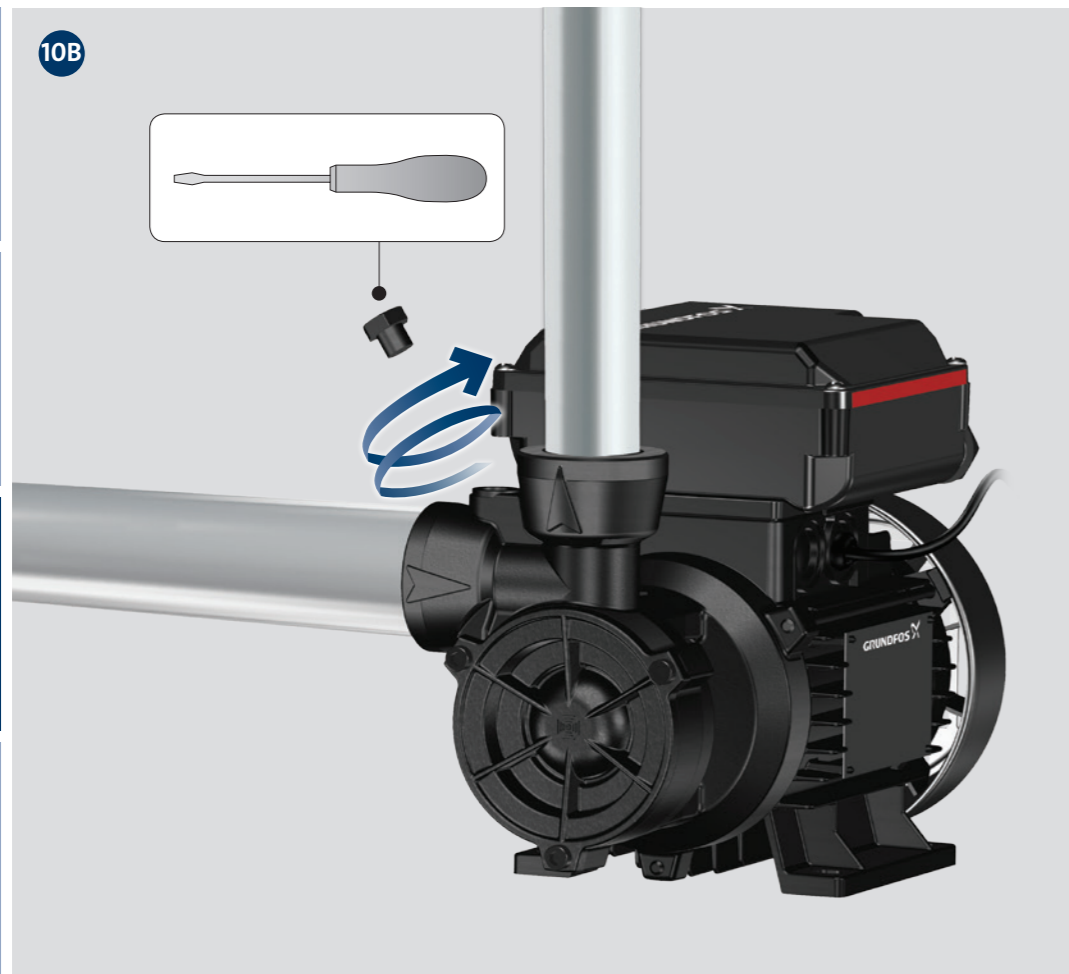
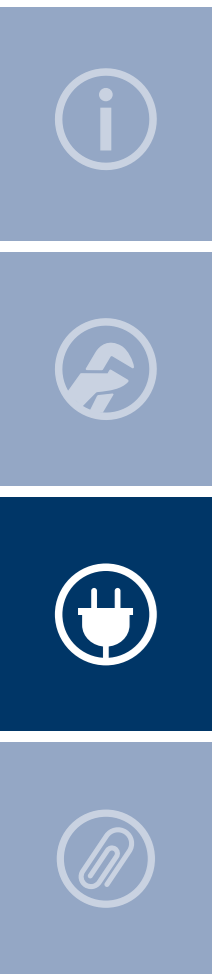


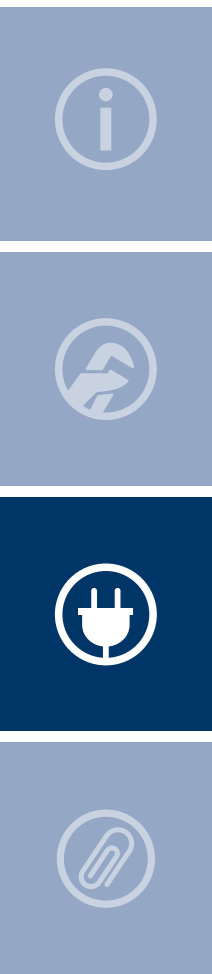




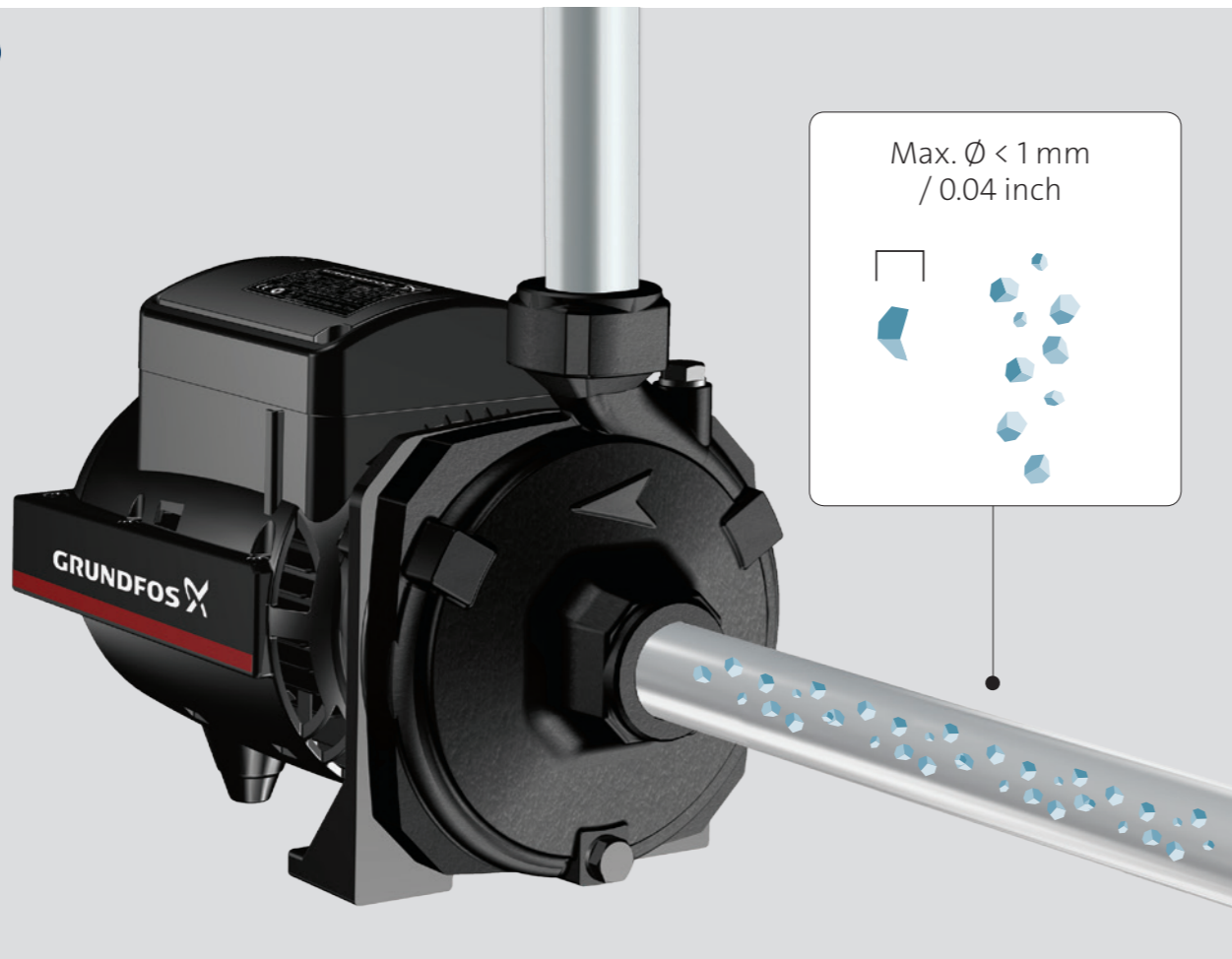




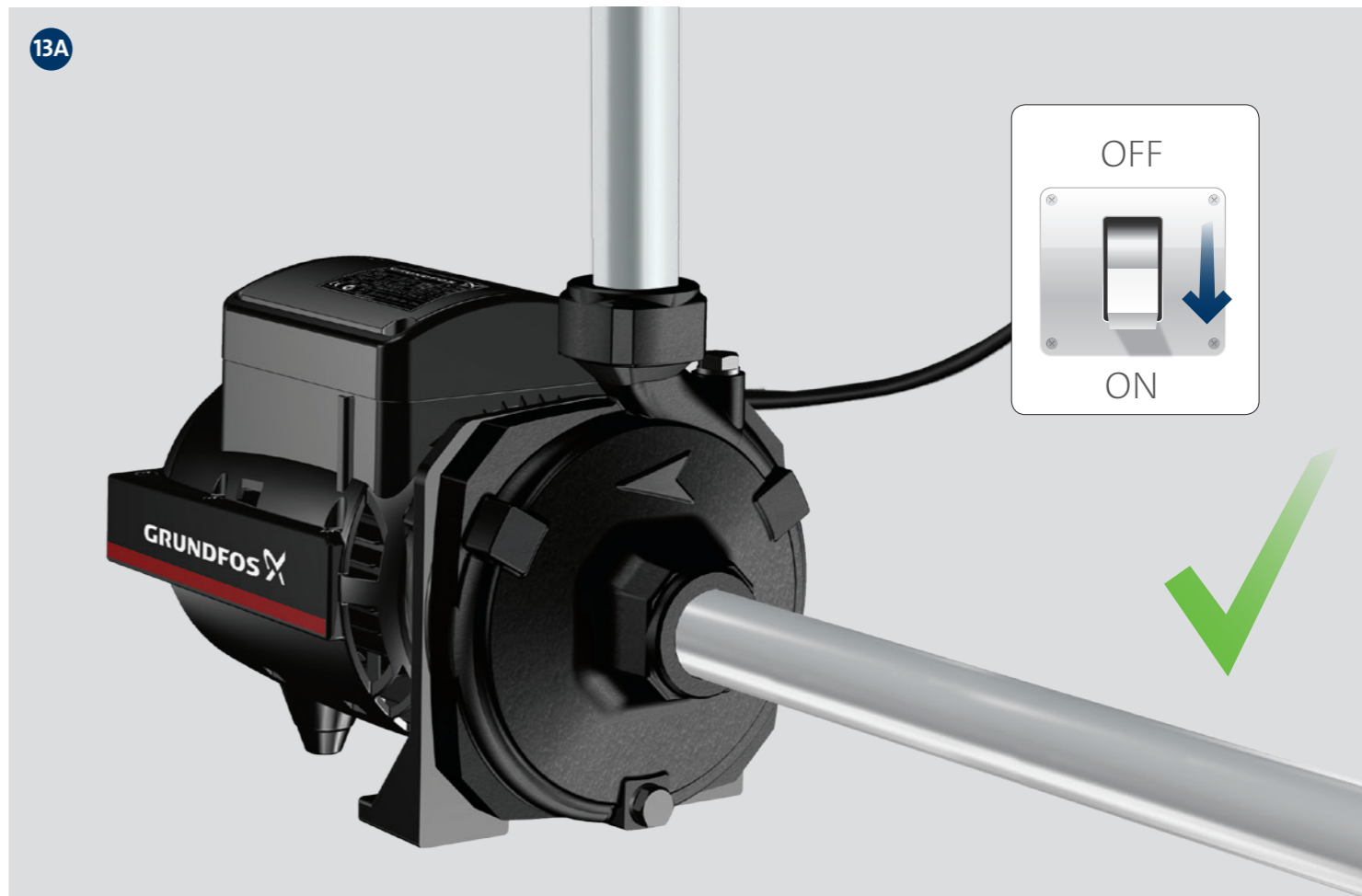


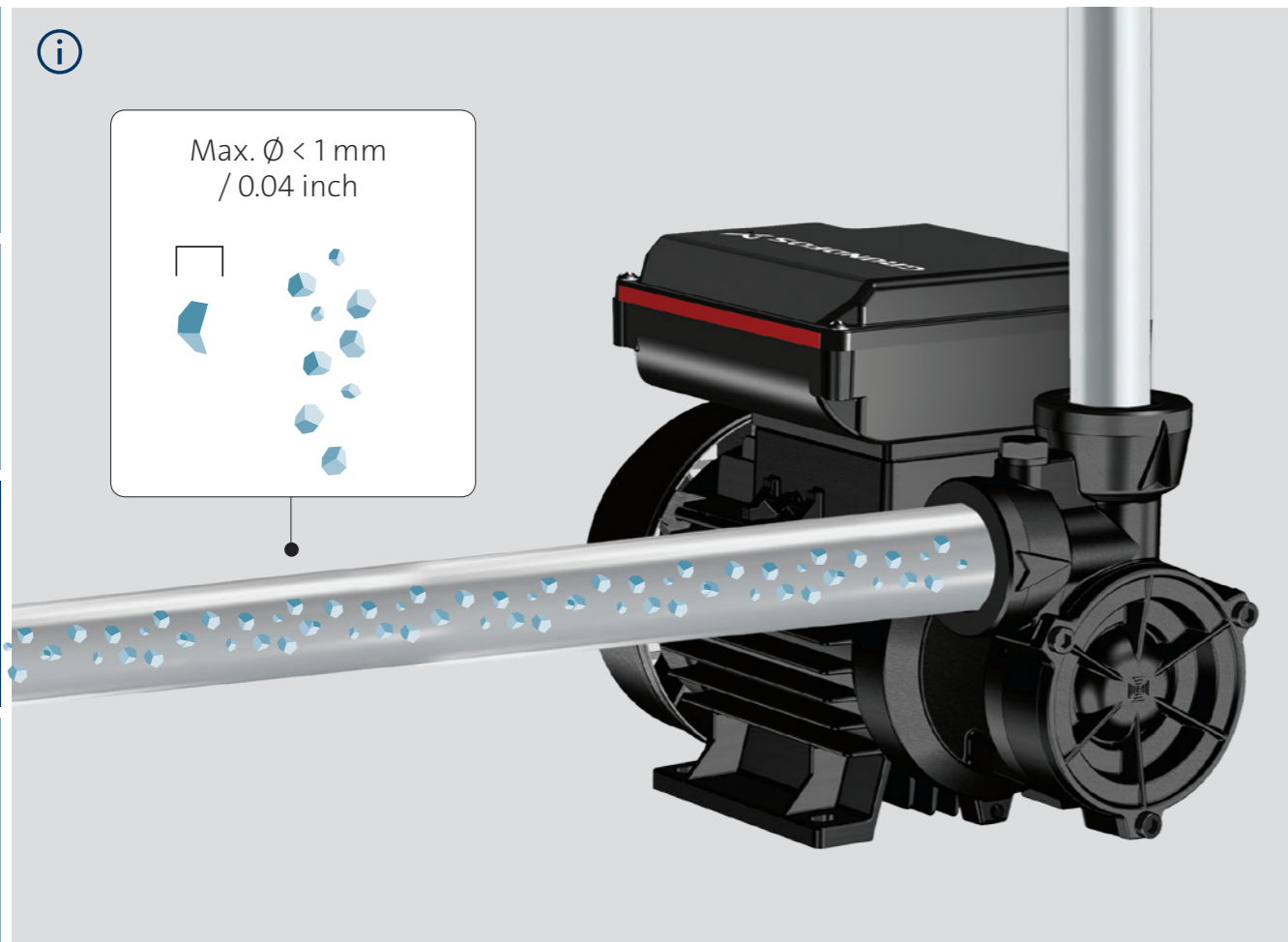
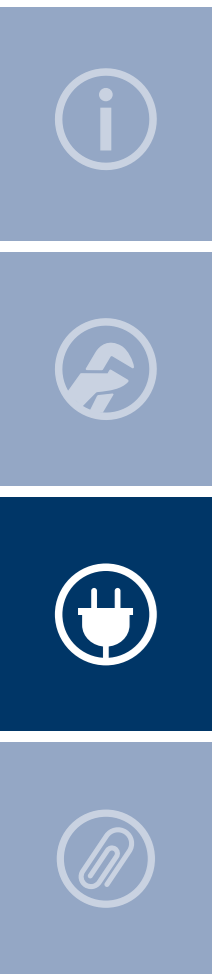


i



13A





be think innovate

98911576 0216

ECM: 1178728

GRUNDFOS Holding A/S

Poul Due Jensens Vej 7
DK-8850 Bjerringbro
Tel: +45 87 50 14 00
www.grundfos.com

The name Grundfos, the Grundfos logo, and be think innovate are registered trademarks owned by Grundfos Holding A/S or Grundfos A/S, Denmark. All rights reserved worldwide.

GRUNDFOS 

Pumpland.ru