

# KPC

## 300A/600A



[net.grundfos.com/qr/i/99057356](http://net.grundfos.com/qr/i/99057356)

be  
think  
innovate

**GRUNDFOS** 



i

Max. 40 °C / Min. 0 °C



Off

On

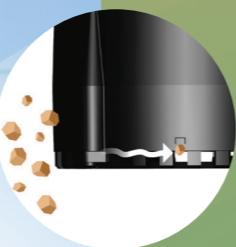
Max. 3 m

Max. 7 m



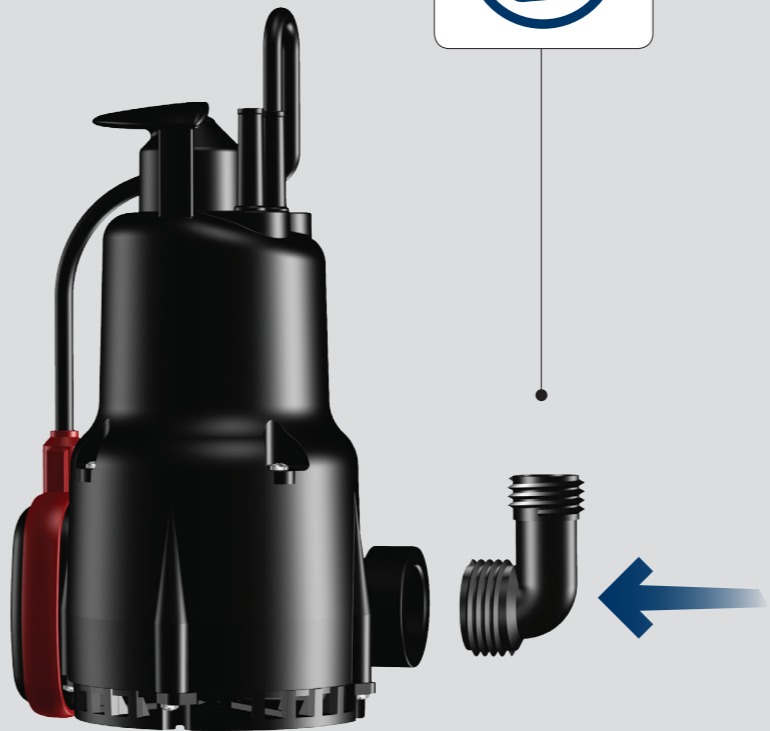
PH 4-6

Min. 5 cm



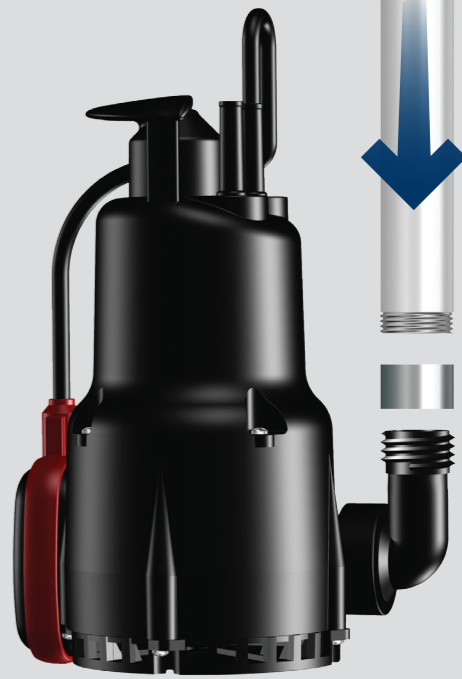
< KPC 300A: 10 mm  
< KPC 600A: 10 mm

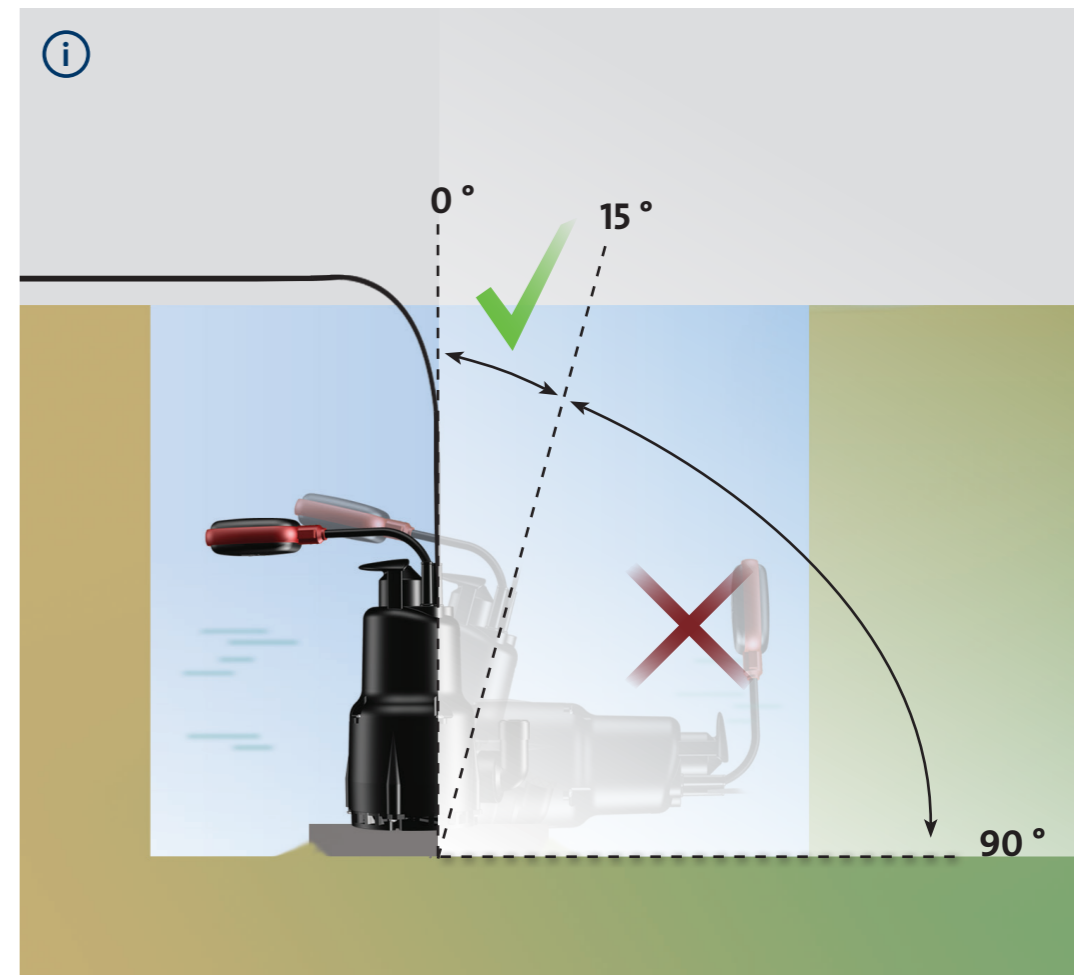
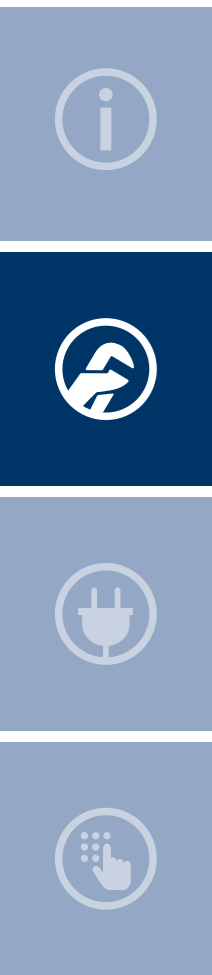
1

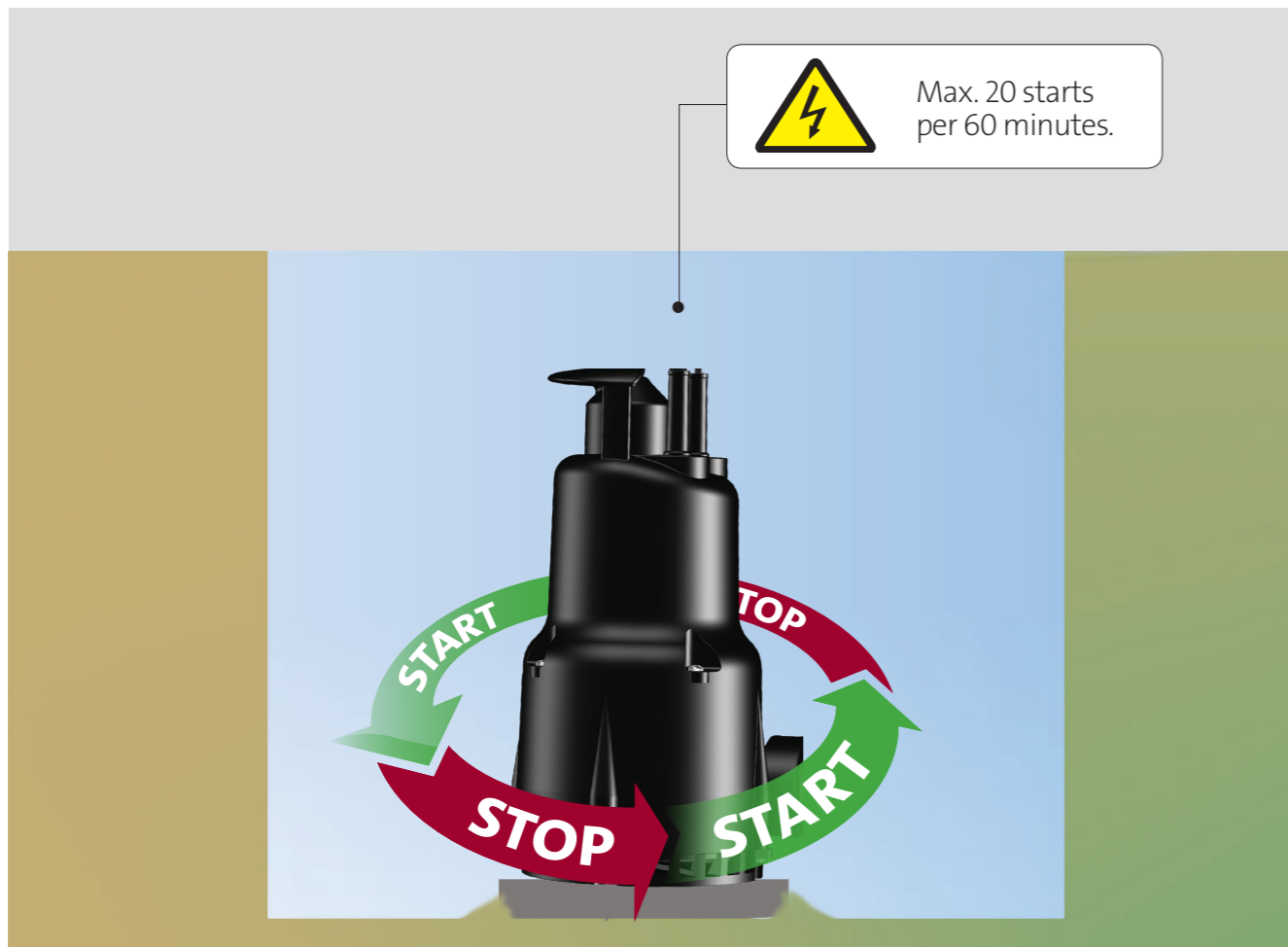
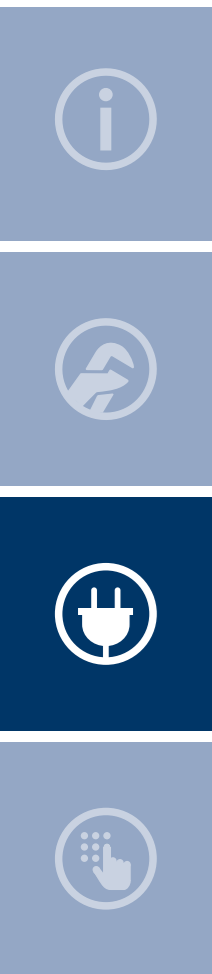


2

KPC 300A: 1"  
KPC 600A: 1 1/4"







be think innovate

---

98870442 0216

ECM: 1178893

**GRUNDFOS Holding A/S**

Poul Due Jensens Vej 7

DK-8850 Bjerringbro

Tel: +45 87 50 14 00

[www.grundfos.com](http://www.grundfos.com)

The name Grundfos, the Grundfos logo, and be think innovate are registered trademarks owned by Grundfos Holding A/S or Grundfos A/S, Denmark. All rights reserved worldwide.

**GRUNDFOS** 

Pumpland.ru