



UNILIFT

CC 5, CC 7, CC 9

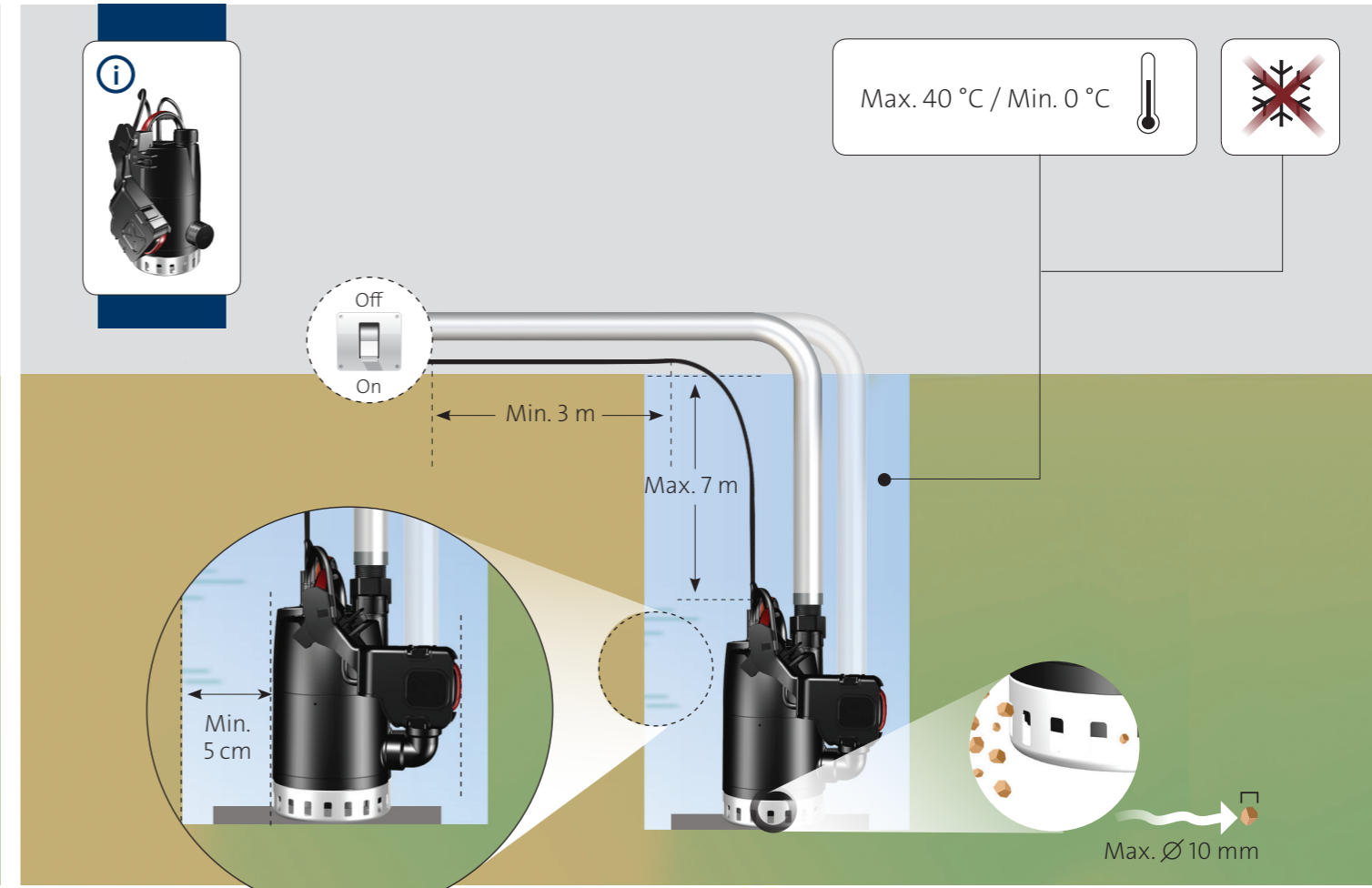
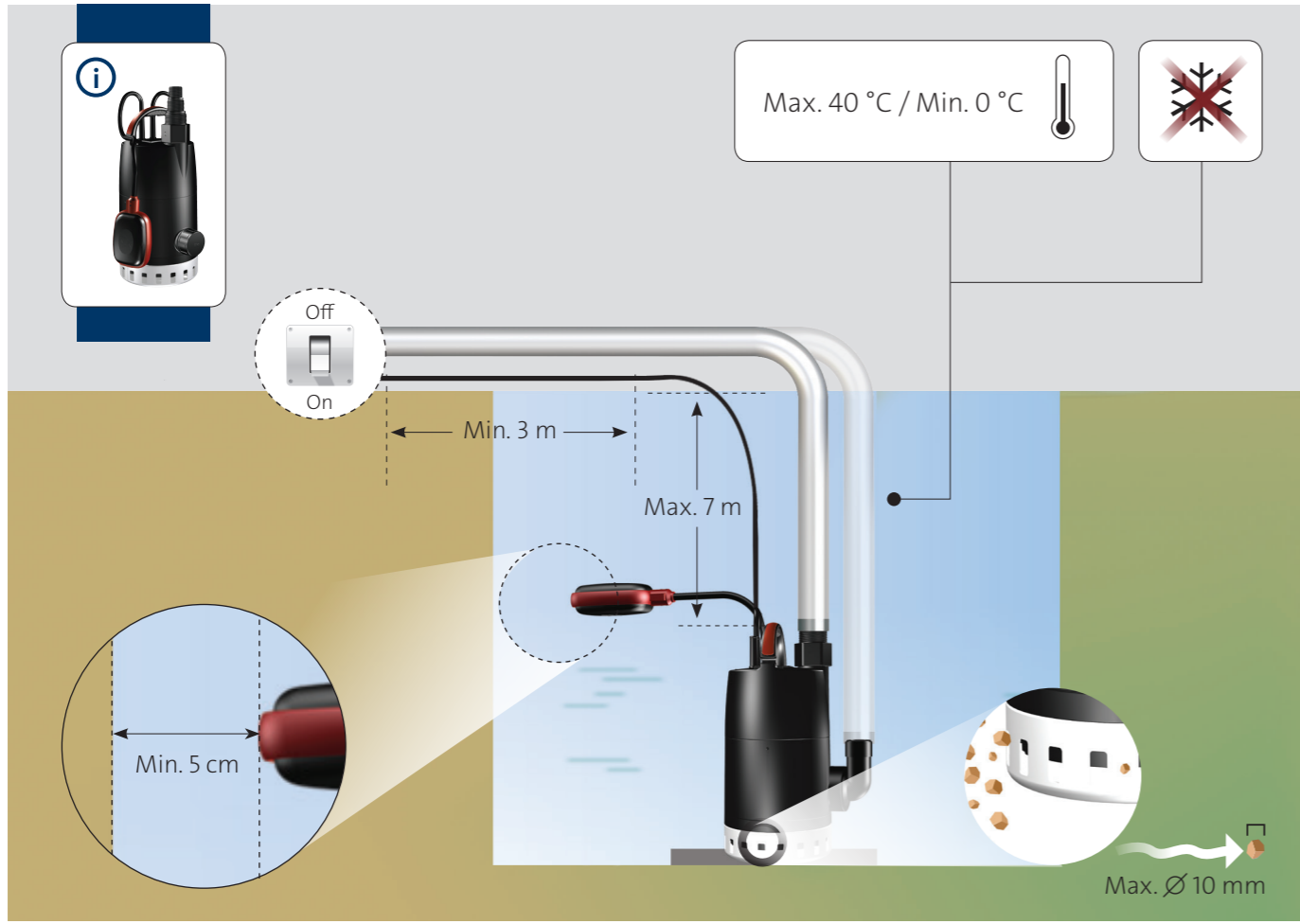
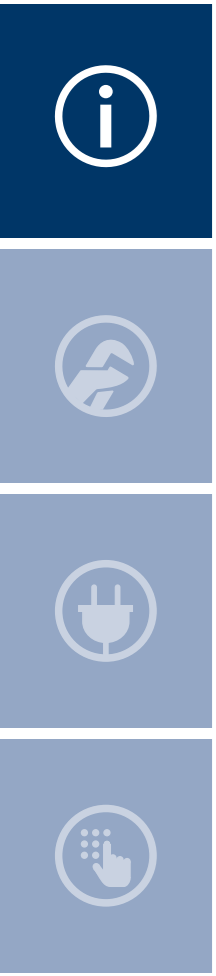
Further product
documentation

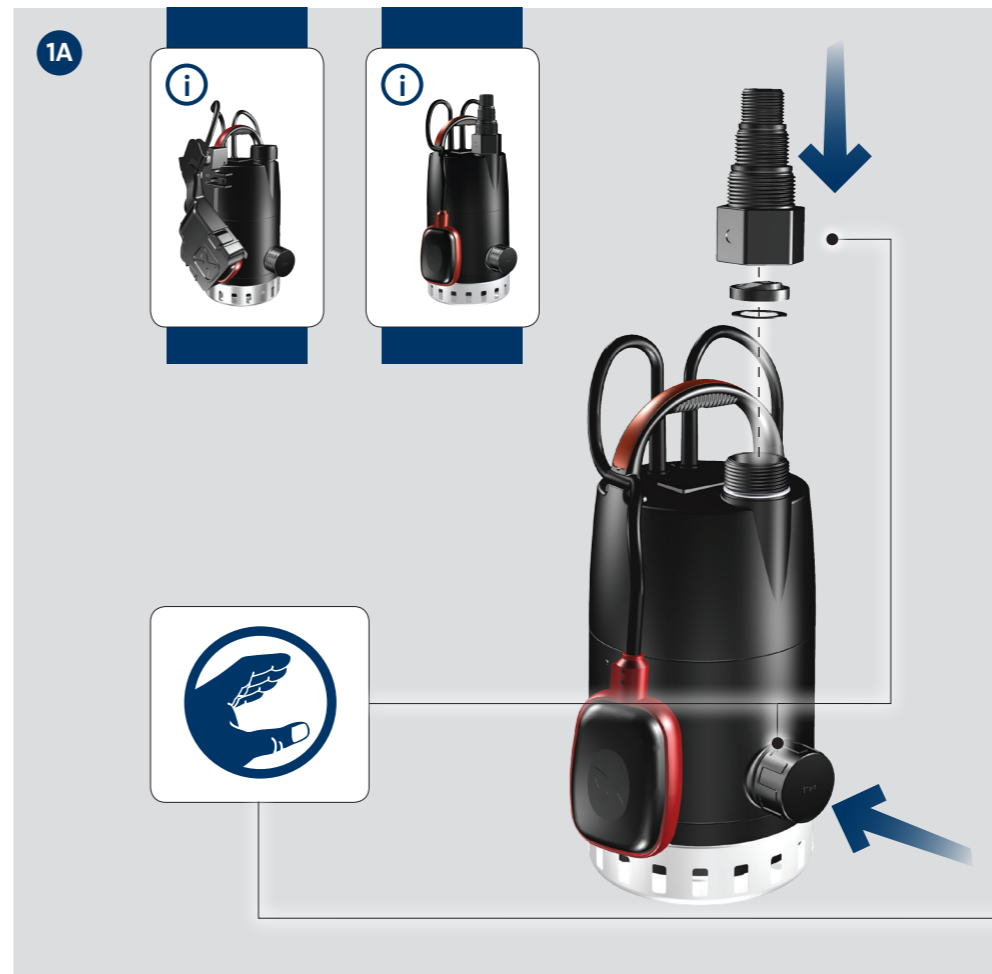
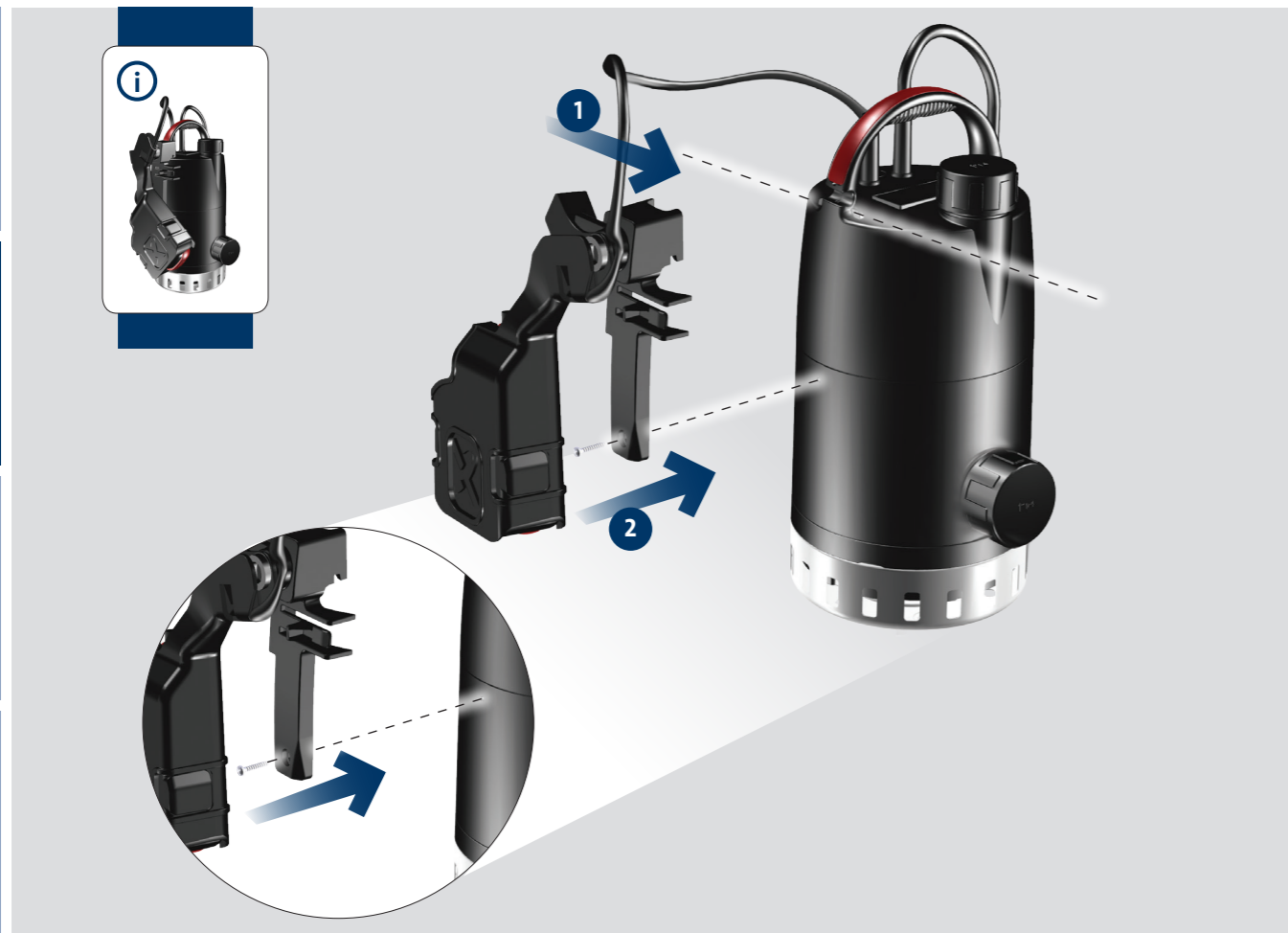
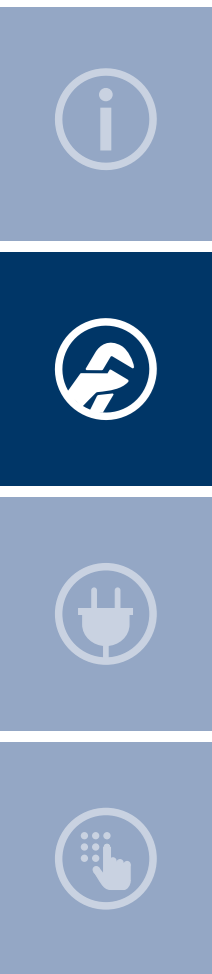


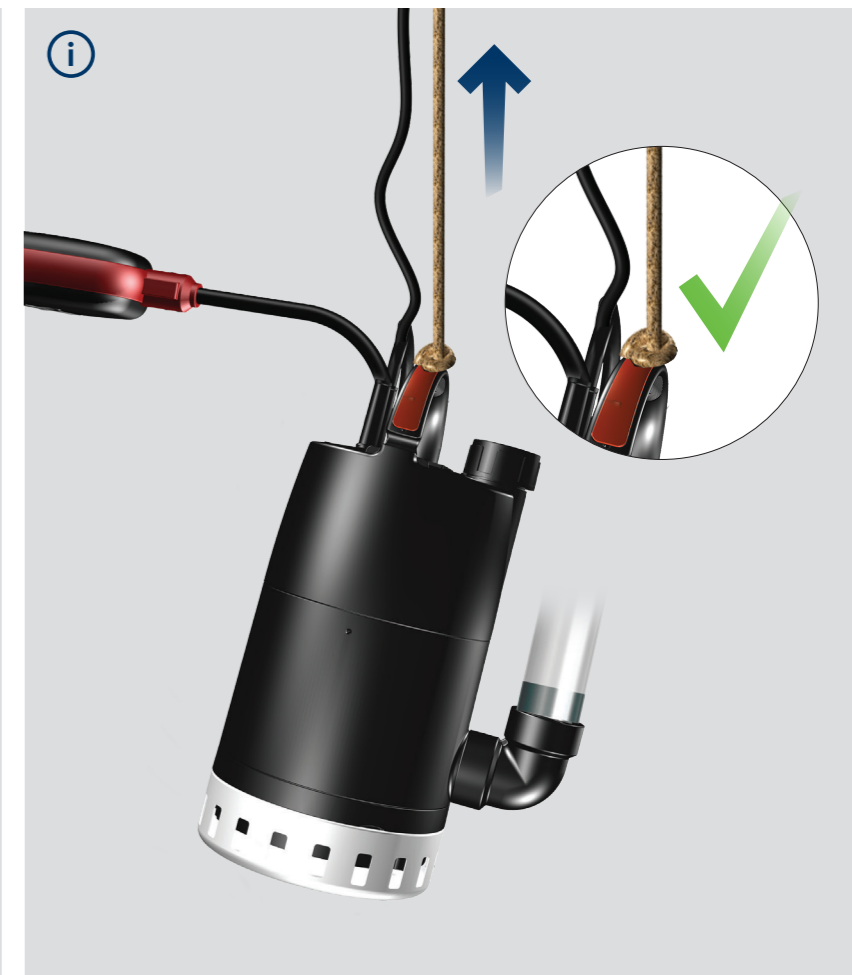
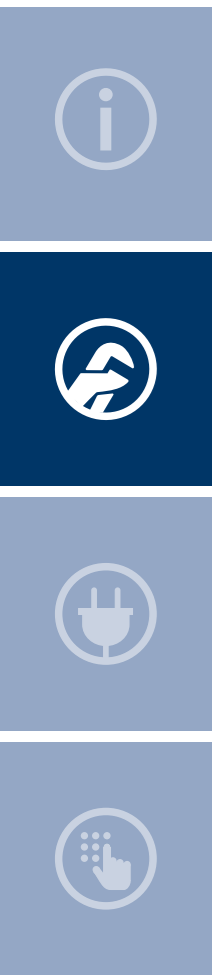
net.grundfos.com/qr/i/96584492

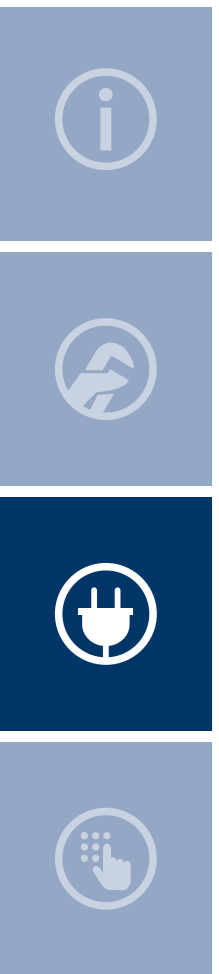
be
think
innovate

GRUNDFOS 

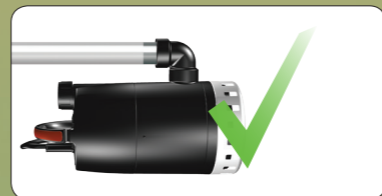
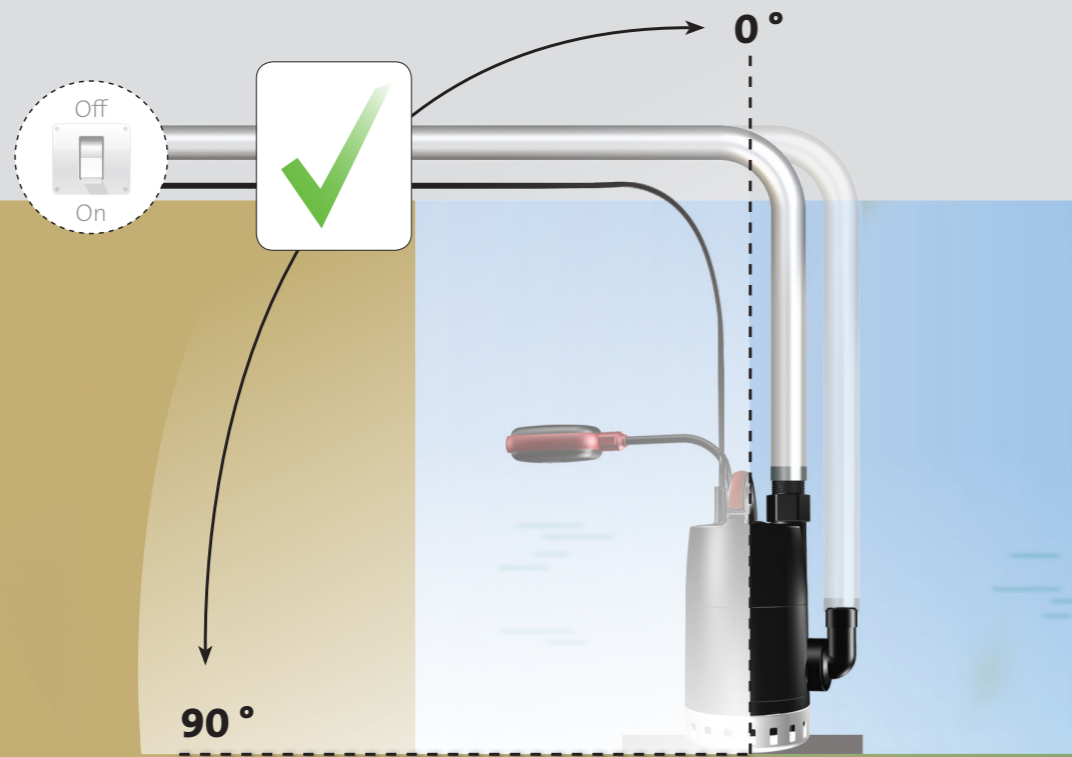








i

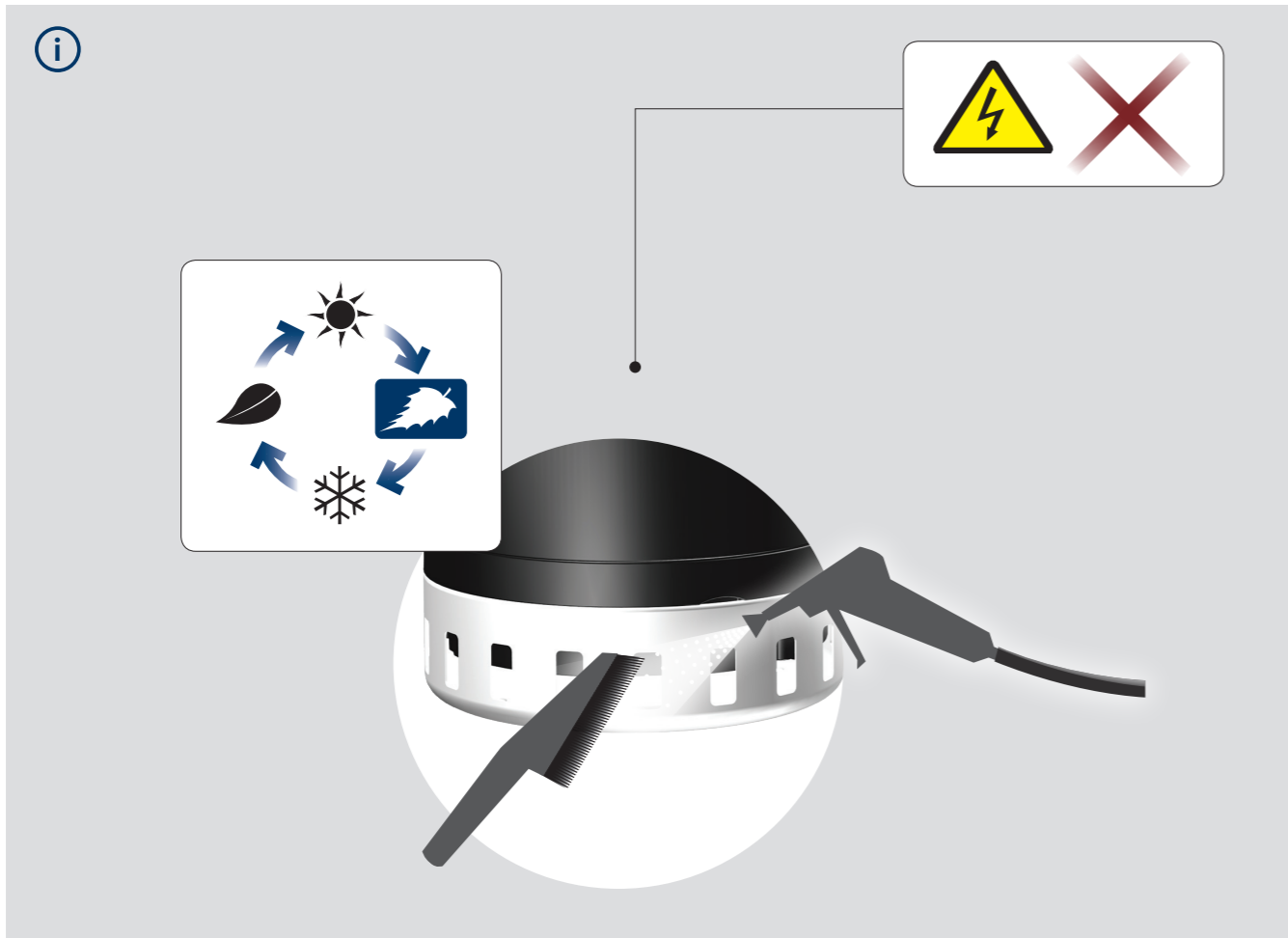
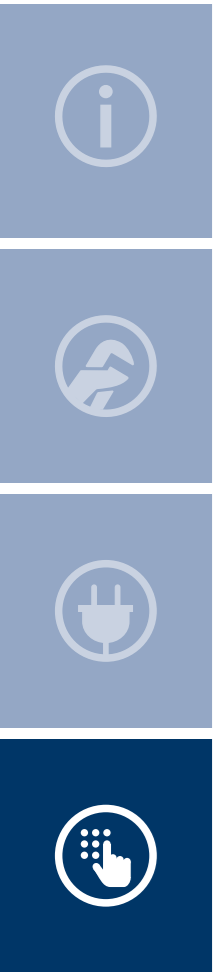


i



Max. 20 starts per 60 minutes.





be think innovate

99094983 0816

ECM: 1191417

GRUNDFOS Holding A/S

Poul Due Jensens Vej 7

DK-8850 Bjerringbro

Tel: +45 87 50 14 00

www.grundfos.com

The name Grundfos, the Grundfos logo, and be think innovate are registered trademarks owned by Grundfos Holding A/S or Grundfos A/S, Denmark. All rights reserved worldwide.

GRUNDFOS 

Pumpland.ru