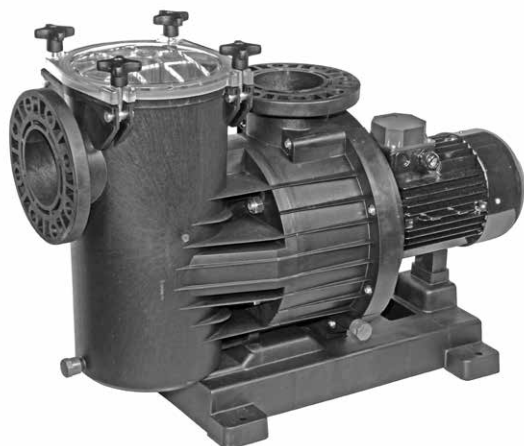


EUROPRO HIGH FLOW

SWIMMING POOL CENTRIFUGAL ELECTRIC PUMPS



TECHNICAL DATA

Operating range: up to 190 m³/h with head of up to 22 metres.

Pumped liquid temperature range: up to 40 °C.

Pumped liquid: clean water, slightly dirty water, slightly aggressive water (Polyhexamethylene biguanide), or chlorine electrolysis treated water.

Maximum ambient temperature: 40 °C.

Installation: horizontal position.

Special executions on requests: alternative frequencies and voltages.

Protection class of the terminal board: IP55.

Insulation class: F

Standard voltage: 3 x 230-400V 50 Hz up to 4 Kw

3 x 400-690 V 50 Hz over 4 KW

IE2 motors as standard, from 0,75 kW to 5,5 kW - IE3 ≥ 7,5 kW

APPLICATIONS

High performance self-priming centrifugal electric pumps with built-in high capacity prefilter. 2 or 4 pole motor completely isolated from the water. Extremely quiet and highly reliable, developed for water circulation and filtration in large swimming pool filtration systems. Thanks to the AISI 316 mechanical seal, they are also suitable for specific applications for the circulation of **sea water**.

CONSTRUCTION FEATURES OF THE PUMP:

Prefilter body, pump body, volute, counter volute, and pump body cover in fibre glass reinforced technopolymer resistant to swimming pool chemical agents. Polyethylene prefilter canister. Transparent polycarbonate prefilter cover with four-knob closing system.

CONSTRUCTION FEATURES

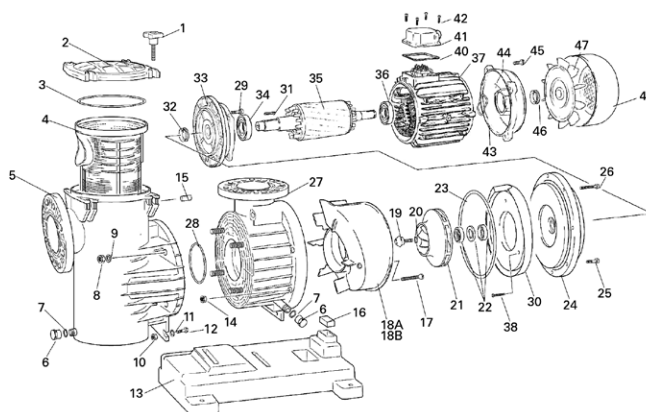
External ventilation closed asynchronous motor, 2 or 4 poles, depending on the model, with a wide power range from 3 to 15 HP.

MATERIALS

N.	PARTS	MATERIALS
5	PREFILTER BODY	FIBREGLASS REINFORCED POLYPROPYLENE
27	PUMP BODY	FIBREGLASS REINFORCED POLYPROPYLENE
18	VOLUTE	FIBREGLASS REINFORCED POLYPROPYLENE
13	BASE	FIBREGLASS REINFORCED POLYPROPYLENE
24	PUMP BODY COVER	FIBREGLASS REINFORCED POLYPROPYLENE
4	PREFILTER CANISTER	POLYETHYLENE
2	PREFILTER COVER	POLYCARBONATE
21	IMPELLER	NORYL/BRONZE*
22	MECHANICAL SEAL	CERAMIC, CARBON, AND AISI 316
-	SCREWS	AISI 314
35	SHAFT	AISI 316

* Bronze impeller available on request for Europro 550 T, 750 T and 1000 T models.

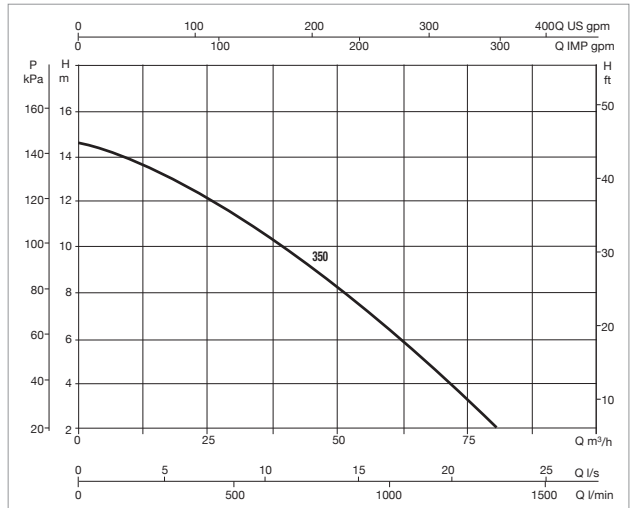
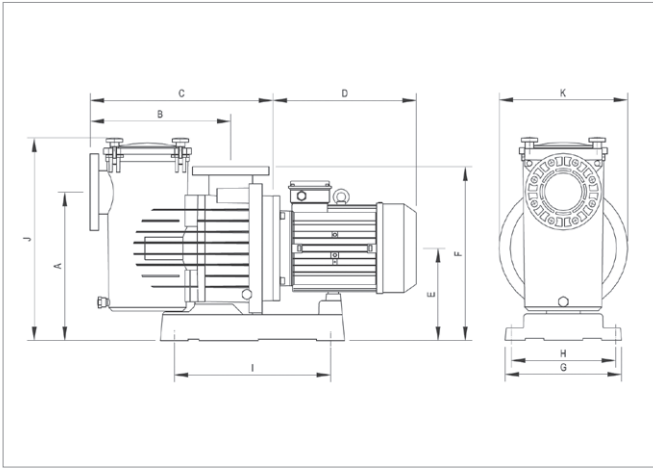
* Bronze impeller supplied as standard for Europro 1250 T and 1500 T models.



EUROPRO HIGH FLOW 350

CENTRIFUGAL ELECTRIC PUMPS FOR FILTERING SYSTEMS IN PRIVATE AND PUBLIC SWIMMING POOLS AND FOR INDUSTRIAL APPLICATIONS

Pumped liquid temperature range: up to 40 °C - Maximum ambient temperature: +40 °C



The performance curves are based on kinematic viscosity values = 1 mm²/s and density equal to 1000 kg/m³. Curve tolerance according to ISO 9906.

MODEL	H=m	6	8	10	12	14	16	18	20	22
EUROPRO 350 T	Q (m ³ /h)	62	51	40	28	8				

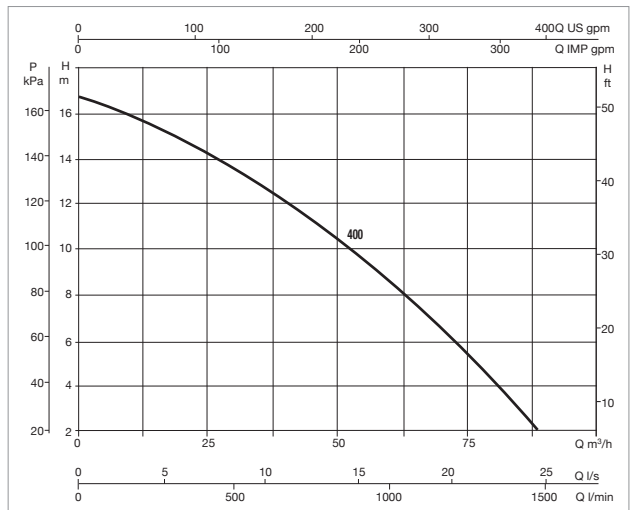
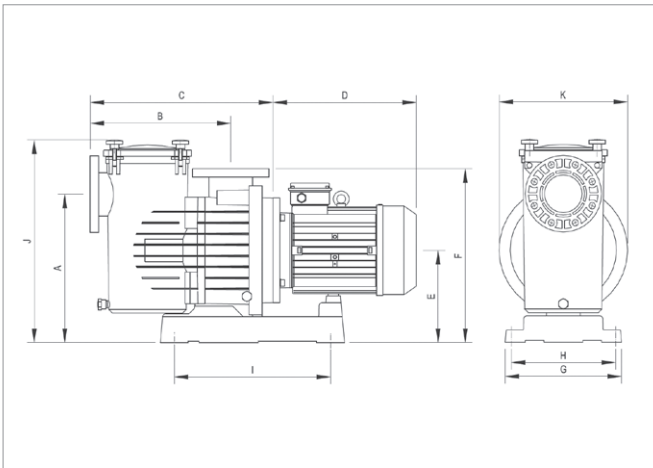
MODEL	POWER INPUT 50 Hz	MOTOR TYPE	P1 MAX kW	P2 NOMINAL		In A			No. rpm
				HP	kW	230	400	690	
EUROPRO 350 T	3 x 230-400 V	IE2	2,97	3	2,2	9,4	5,3	-	1450

MODEL	A	B	C	D	E	F	G	H	I	J	K	DNA	DNM	PACKING DIMENSIONS			WEIGHT kg
														L	B	H	
EUROPRO 350 T	428	405	574	310	267	500	335	300	450	600	370	100	100	840	385	595	42,5

EUROPRO HIGH FLOW 400

CENTRIFUGAL ELECTRIC PUMPS FOR FILTERING SYSTEMS IN PRIVATE AND PUBLIC SWIMMING POOLS AND FOR INDUSTRIAL APPLICATIONS

Pumped liquid temperature range: up to 40 °C - Maximum ambient temperature: +40 °C



The performance curves are based on kinematic viscosity values = 1 mm²/s and density equal to 1000 kg/m³. Curve tolerance according to ISO 9906.

MODEL	H=m	6	8	10	12	14	16	18	20	22
EUROPRO 400 T	Q (m ³ /h)	72	63	54	42	28	7			

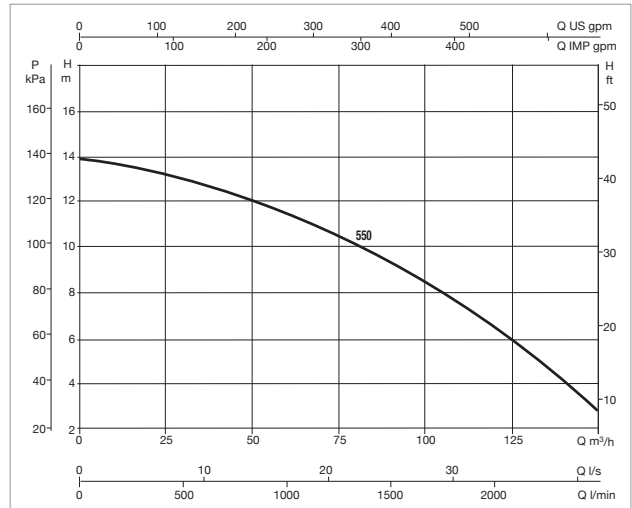
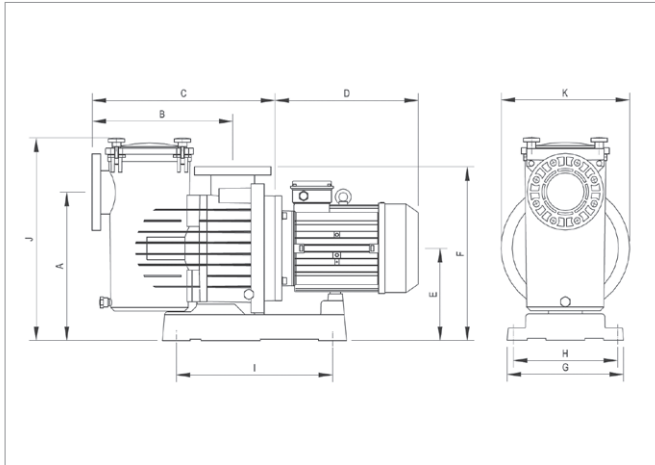
MODEL	POWER INPUT 50 Hz	MOTOR TYPE	P1 MAX kW	P2 NOMINAL		In A			No. rpm
				HP	kW	230	400	690	
EUROPRO 400 T	3 x 230-400 V	IE2	3,83	4	3	12,5	6,9	-	1450

MODEL	A	B	C	D	E	F	G	H	I	J	K	DNA	DNM	PACKING DIMENSIONS			WEIGHT kg
														L	B	H	
EUROPRO 400 T	428	405	574	310	267	500	335	300	450	600	370	100	100	840	385	595	44,5

EUROPRO HIGH FLOW 550

CENTRIFUGAL ELECTRIC PUMPS FOR FILTERING SYSTEMS IN PRIVATE AND PUBLIC SWIMMING POOLS AND FOR INDUSTRIAL APPLICATIONS

Pumped liquid temperature range: up to 40 °C - Maximum ambient temperature: +40 °C



The performance curves are based on kinematic viscosity values = 1 mm²/s and density equal to 1000 kg/m³. Curve tolerance according to ISO 9906.

MODEL	H=m	6	8	10	12	14	16	18	20	22
EUROPRO 550 T	$\frac{Q}{(m^3/h)}$	122	104	84	52					

MODEL	POWER INPUT 50 Hz	MOTOR TYPE	P1 MAX kW	P2 NOMINAL		In A			No. rpm
				HP	kW	230	400	690	
EUROPRO 550 T	3 x 230-400 V	IE2	5,54	5,5	4	15,3	8,8	-	1450

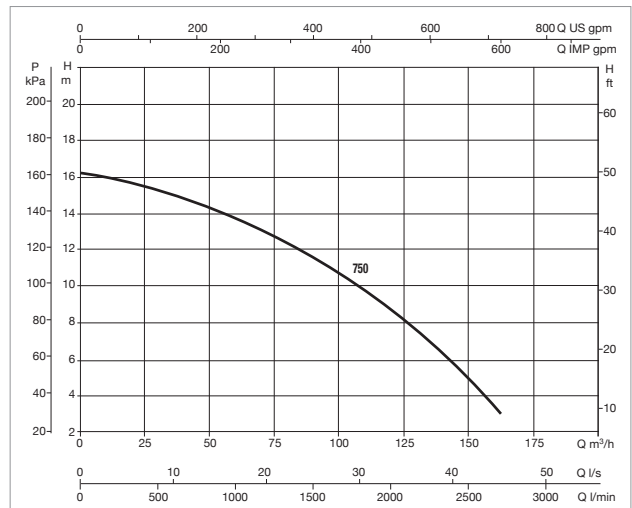
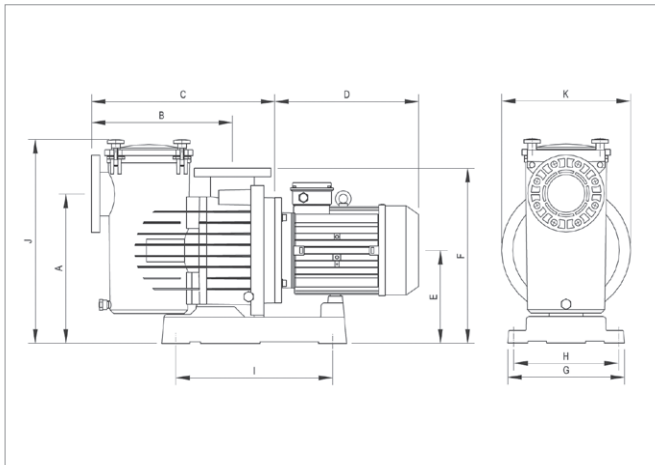
Available with bronze impeller

MODEL	A	B	C	D	E	F	G	H	I	J	K	DNA	DNM	PACKING DIMENSIONS			WEIGHT kg
														L	B	H	
EUROPRO 550 T	428	405	574	335	267	500	335	300	450	600	370	100	100	1170	385	715	53,5

EUROPRO HIGH FLOW 750

CENTRIFUGAL ELECTRIC PUMPS FOR FILTERING SYSTEMS IN PRIVATE AND PUBLIC SWIMMING POOLS AND FOR INDUSTRIAL APPLICATIONS

Pumped liquid temperature range: up to 40 °C - Maximum ambient temperature: +40 °C



The performance curves are based on kinematic viscosity values = 1 mm²/s and density equal to 1000 kg/m³. Curve tolerance according to ISO 9906.

MODEL	H=m	6	8	10	12	14	16	18	20	22
EUROPRO 750 T	$\frac{Q}{(m^3/h)}$	144	126	106	84	56				

MODEL	POWER INPUT 50 Hz	MOTOR TYPE	P1 MAX kW	P2 NOMINAL		In A			No. rpm
				HP	kW	230	400	690	
EUROPRO 750 T	3 x 400-690 V	IE2	6,85	7,5	5,5	-	12	7	1450

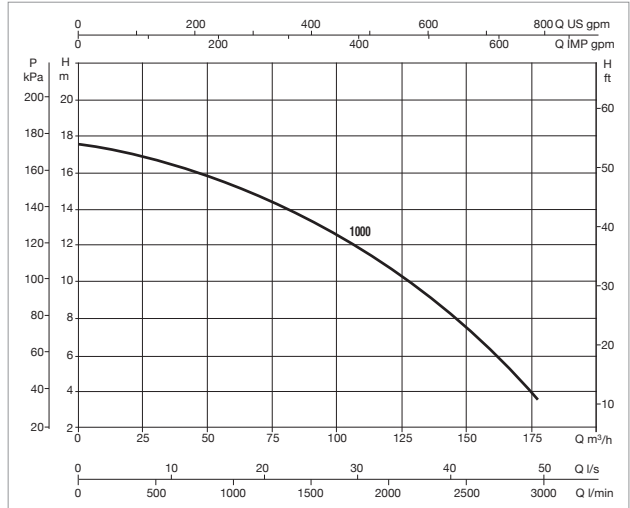
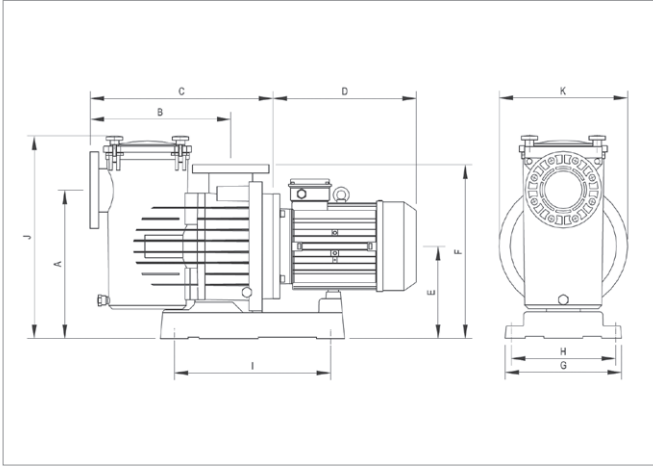
Available with bronze impeller

MODEL	A	B	C	D	E	F	G	H	I	J	K	DNA	DNM	PACKING DIMENSIONS			WEIGHT kg
														L	B	H	
EUROPRO 750 T	428	405	574	380	267	500	335	300	450	600	370	100	100	1170	385	715	66

EUROPRO HIGH FLOW 1000

CENTRIFUGAL ELECTRIC PUMPS FOR FILTERING SYSTEMS IN PRIVATE AND PUBLIC SWIMMING POOLS AND FOR INDUSTRIAL APPLICATIONS

Pumped liquid temperature range: up to 40 °C - Maximum ambient temperature: +40 °C



The performance curves are based on kinematic viscosity values = 1 mm²/s and density equal to 1000 kg/m³. Curve tolerance according to ISO 9906.

MODEL	H=m	6	8	10	12	14	16	18	20	22
EUROPRO 1000 T	$\frac{Q}{(m^3/h)}$	160	144	126	107	84	48			

MODEL	POWER INPUT 50 Hz	MOTOR TYPE	P1 MAX kW	P2 NOMINAL		In A			No. rpm
				HP	kW	230	400	690	
EUROPRO 1000 T	3 x 400-690 V	IE3	8,26	10	7,5	-	16,2	9,6	1450

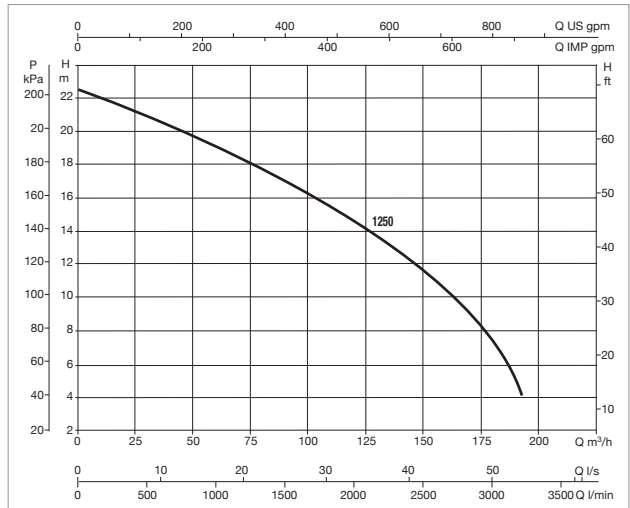
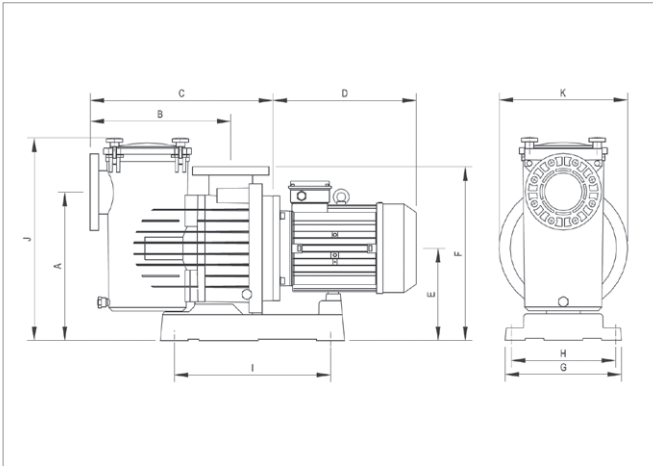
Available with bronze impeller

MODEL	A	B	C	D	E	F	G	H	I	J	K	DNA	DNM	PACKING DIMENSIONS			WEIGHT kg
														L	B	H	
EUROPRO 1000 T	428	405	574	380	267	500	335	300	450	600	370	100	100	1170	385	715	76

EUROPRO HIGH FLOW 1250

CENTRIFUGAL ELECTRIC PUMPS FOR FILTERING SYSTEMS IN PRIVATE AND PUBLIC SWIMMING POOLS AND FOR INDUSTRIAL APPLICATIONS

Pumped liquid temperature range: up to 40 °C - Maximum ambient temperature: +40 °C



The performance curves are based on kinematic viscosity values = 1 mm²/s and density equal to 1000 kg/m³. Curve tolerance according to ISO 9906.

MODEL	H=m	6	8	10	12	14	16	18	20	22
EUROPRO 1250 T	$\frac{Q}{(m^3/h)}$		176	160	144	125	105	80	50	

MODEL	POWER INPUT 50 Hz	MOTOR TYPE	P1 MAX kW	P2 NOMINAL		In A			No. rpm
				HP	kW	230	400	690	
EUROPRO 1250 T	3 x 400-690 V	IE3	13,74	12,5	9,2	-	17,9	10,1	2850

Bronze impeller as standard.

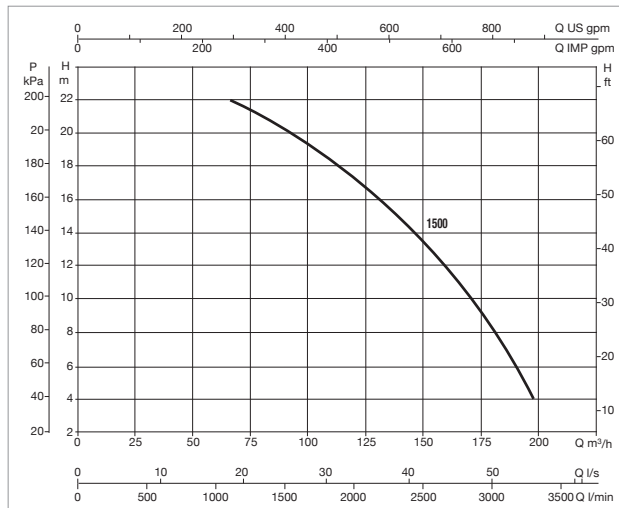
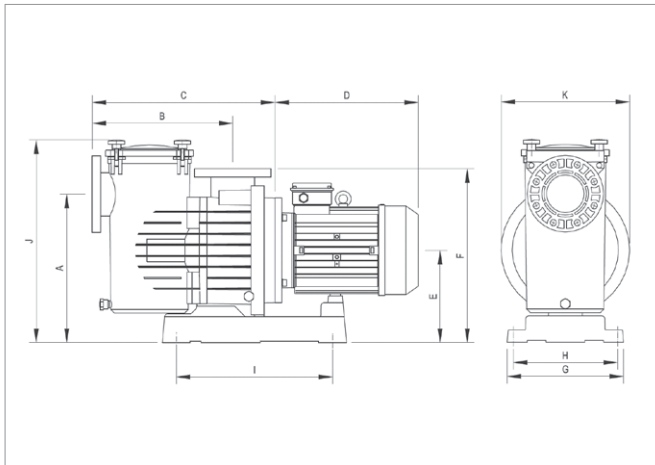
MODEL	A	B	C	D	E	F	G	H	I	J	K	DNA	DNM	PACKING DIMENSIONS			WEIGHT kg
														L	B	H	
EUROPRO 1250 T	428	405	574	380	267	500	335	300	450	600	370	100	100	1170	385	715	84,5

EUROPRO HIGH FLOW 1500

CENTRIFUGAL ELECTRIC PUMPS FOR FILTERING SYSTEMS IN PRIVATE AND PUBLIC SWIMMING POOLS AND FOR INDUSTRIAL APPLICATIONS

Pumped liquid temperature range: up to 40 °C - Maximum ambient temperature: +40 °C

SWIMMING POOL PUMPS



The performance curves are based on kinematic viscosity values = 1 mm²/s and density equal to 1000 kg/m³. Curve tolerance according to ISO 9906.

MODEL	H=m	6	8	10	12	14	16	18	20	22
EUROPRO 1500 T	Q (m ³ /h)		180	168	155	142	130	115	96	67

MODEL	POWER INPUT 50 Hz	MOTOR TYPE	P1 MAX kW	P2 NOMINAL		In A			No. rpm
				HP	kW	230	400	690	
EUROPRO 1500 T	3 x 400-690 V	IE3	15,73	15	11	-	19,9	11	2850

Bronze impeller as standard.

MODEL	A	B	C	D	E	F	G	H	I	J	K	DNA	DNM	PACKING DIMENSIONS			WEIGHT kg
														L	B	H	
EUROPRO 1500 T	428	405	574	380	267	500	335	300	450	600	370	100	100	1170	385	715	85,5