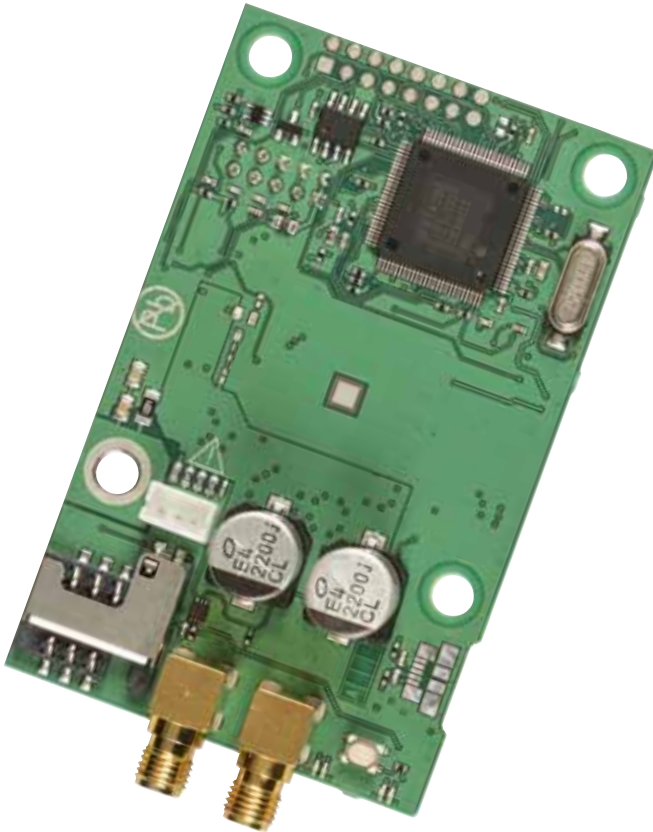


CIM 260 SMS commands

Functional profile and user manual



Original functional profile and user manual.

CONTENTS

	Page
1. General information	3
1.1 Hazard statements	3
1.2 Notes	4
2. General description	4
2.1 CIU 261	5
3. Configuring CIM 260	6
3.1 Basic configuration	6
3.2 Configuration for monitoring and control via SMS	7
3.3 Configuration for a call-up connection	14
3.4 Configuration for a data connection	14
4. Status commands	16
5. Control commands	19
5.1 CIM 260	19
5.2 Grundfos product	19
6. Messages from CIM 260	23
6.1 No connection to product	23
6.2 No mains supply, using battery	23
6.3 Change cellular module battery	23
6.4 Cellular module battery low	23
7. Additional SMS functionality of CIU 261	24
7.1 Introduction	24
7.2 Configuration of IO 270 signal names	25
7.3 Configuration of IO 270 signal scaling	25
7.4 IO 270 operation	26
7.5 Self-triggered IO event messages	28
7.6 Digital input naming relations	30
7.7 Configuration of alarm code texts	30
8. Overview of commands	33
8.1 Configuration commands for CIM 260	33
8.2 Status commands for CIM 260	34
8.3 Control commands for CIM 260	34
8.4 Status commands for the product	34
8.5 Control commands for the product	35
8.6 IO 270-related configuration commands	36
8.7 IO 270-related status commands	37
8.8 IO 270-related control commands	37

1. General information

1.1 Hazard statements

The symbols and hazard statements below may appear in Grundfos installation and operating instructions, safety instructions and service instructions.



DANGER

Indicates a hazardous situation which, if not avoided, will result in death or serious personal injury.



WARNING

Indicates a hazardous situation which, if not avoided, could result in death or serious personal injury.



CAUTION

Indicates a hazardous situation which, if not avoided, could result in minor or moderate personal injury.

The hazard statements are structured in the following way:



SIGNAL WORD

Description of hazard

Consequence of ignoring the warning.
- Action to avoid the hazard.

1.2 Notes

The symbols and notes below may appear in Grundfos installation and operating instructions, safety instructions and service instructions.



Observe these instructions for explosion-proof products.



A blue or grey circle with a white graphical symbol indicates that an action must be taken.



A red or grey circle with a diagonal bar, possibly with a black graphical symbol, indicates that an action must not be taken or must be stopped.



If these instructions are not observed, it may result in malfunction or damage to the equipment.



Tips and advice that make the work easier.

2. General description

CIM 260 can be used as an SMS interface for control and monitoring of Grundfos products (for example E-pumps and Hydro MPC booster systems) from a mobile phone.

Using simple SMS messages, it is for instance possible to start and stop the pump or system, change the setpoint and get status of important pump or system data and alarm and warning messages.

SMS messages, which can be sent by the user and interpreted by CIM 260, are called commands.

The general syntax of commands is:

[access code] <command> [parameter, parameter...]

[] indicates a field which is only used in certain cases.

< > indicates a mandatory field.

All texts sent to CIM 260 are in English and cannot be changed.

You can configure 10 alarm or warning texts as well as the name and scaling of the CIU 261 input or output signals. All other texts sent from CIM 260 are fixed and written in English.

This manual shows text message communication with mobile phones with the font Courier or in quotation marks.

The following products are supported:

- E-pumps
- Hydro Multi-E
- MAGNA3, MAGNA3-D circulators
- CU 352, Hydro MPC controller
- CU 354, DDD Controller
- LC 2x1, wastewater level control
- CIU 262 AUTOADAPT
- MP 204, motor protector.

2.1 CIU 261

CIU 261 consists of a CIM 260 module and an IO 270 board mounted in a CIU box. The IO 270 adds input and output features to the functionality of CIM 260. See also section 7. *Additional SMS functionality of CIU 261.*

Command	Description
[access code]	Four numerical characters between 0 and 9. The command will be ignored if the access code has not been enabled. Numerical characters in front of <command> will generally be ignored if the access code has not been enabled. A space character after [access code] is optional.
<command>	A legal command as explained in the following sections. If a parameter is entered after the command, there must be one or more space characters between the command and the parameter.
	One or more legal parameters for the command in question. The use of symbolic parameters is explained here:
<phone number>:	+XX YYY ZZZ ZZZZ (according to ITU-T E164). For local calls, "+" and the country code XX are not required.*
<access option>:	LIST CODE BOTH NONE. See section 3. <i>Configuring CIM 260.</i>
<access code>:	Four numerical characters between 0 and 9 (four-digit code).
<alpha numeric string>:	Max. 50 characters A-Z, a-z, 0-9.
<APN string>:	Max. 64 characters A-Z, a-z, 0-9, "-", "@", and "." Must not begin or end with "-", "@", and "."
<day of week>:	ALL, MON, TUE, WED, THU, FRI, SAT, SUN.
<hour of day>:	OFF, 0, 1, 2, ..., 24 (0=24).
[parameter, parameter...]	<installation name>: All printable characters except @ and ":".
	<IP address>: xxx.xxx.xxx.xxx; xxx = [000; 255].
	<port number>: 1-65535. Default setting: Modbus = 502; GENIpro = 49152.
	<setpoint>: Decimal number with or without a decimal point.
	<event code>: Alarm or warning (event) code from connected product.
	<text>: Max. 50 GSM 3.38 characters except: "@", LF, CR, ESC, "-" (Codes 00h, 0Ah, 0Dh, 1Bh, 3Ah). Automatic truncation will occur. It is allowed for <text> to be empty.
	<alpha string>: Max. 12 ASCII characters A-Z, a-z. Automatic truncation will occur. It is allowed for <alpha string> to be empty.
	<value>: Floating point value according to IEEE 754 but limited to 5-digit precision (for example x.xxxx, xxxx.x, etc.). Extra digits will be ignored.
	< >: Empty field, no argument.

* The number of digits depends on the country.



There is no distinction between lowercase and uppercase letters in the commands.

3. Configuring CIM 260

Before you configure the SMS functions of CIM 260, you must configure CIM 260 using the SMS configuration commands in this section.

The commands are divided into four groups:

One group for basic configuration and three groups for the type of connection to be established.

- Commands for basic configuration, mandatory. See section 3.1 *Basic configuration*.
- Commands for configuration of CIM 260 for monitoring and control via SMS. See section 3.2 *Configuration for monitoring and control via SMS*.

- Commands for configuration of CIM 260 for a call-up connection. See section 3.3 *Configuration for a call-up connection*.
- Commands for configuration of CIM 260 for a data connection. See section 3.4 *Configuration for a data connection*.

First, carry out the basic configuration, as it is common to all three types of connection and required for any installation. Then, carry out the configuration for the type of connection to be established. The default setting will work in most cases. See also section 8. *Overview of commands*.

3.1 Basic configuration

Command	Description
INIT <access code>	<p>The first time you use CIM 260, initialise it with this command. The number of mobile phone used for initialising CIM 260 will be added to the internal phone number list of the module. Access via commands can now take place from this number or by using the access code, which must consist of four digits between 0 and 9. Before carrying on the configuration, wait until CIM 260 has acknowledged the change with this message:</p> <p>INIT: <phone number> added to the phone number list Access code: <access code></p> <p>If CIM 260 has already been initialised, it will send this message:</p> <p>INIT: Already initialised</p> <p>Note that when the command "INIT" has been carried out, you can only change the settings from the phone number used for initialising CIM 260 or with the selected access code in front of the command. After initialisation, CIM 260 will use the default settings, and in most cases, it will not be necessary to change them. See section 8.1 <i>Configuration commands for CIM 260</i>. However, please read the rest of this table, and check that the default settings meet the requirements. If CIM 260 is to be re-initialised at a later time, for instance if you have forgotten the access code, press the reset button on the module for at least five seconds. This resets settings to the default settings. The command "INIT" must be sent to CIM 260 again. For further information about hardware reset, see the installation and operating instructions for the CIM 260 cellular module.</p>
ROAMING <ON OFF>	<p>With this configuration command, you set whether CIM 260 is to accept roaming or not. CIM 260 acknowledges the change with this message:</p> <p>ROAMING: Changed to <ON OFF></p> <p>If roaming is set to "OFF", this will apply to both call-up, SMS and data communication. If roaming is set to "ON", this will apply to call-up and SMS communication, whereas roaming for data communication will only be allowed if "DATAROAMING" has also been set to "ON". Default setting: ON.</p>

3.2 Configuration for monitoring and control via SMS

Command	Description
<code>ACCESS <access option></code>	<p>Select the access option with this configuration command:</p> <ul style="list-style-type: none"> • LIST Only numbers in the CIM 260 phone number list can send configuration and control messages. • CODE The 4-digit access code must be used in front of all configuration and control commands. • BOTH You can use both "LIST" (phone number list) and "CODE" (access code) for access control. Only one is required to get access. • NONE There is no access control. You can send all commands from a mobile phone without access control. <p>Before carrying on the configuration, wait until CIM 260 has acknowledged the change with this message:</p> <div style="border: 1px solid black; padding: 2px; text-align: center;">ACCESS: Changed to <access option></div> <p>Default setting: BOTH.</p>
<code>CODE <access code></code>	<p>With this configuration command, you can change the 4-digit access code.</p> <p>Before carrying on the configuration, wait until CIM 260 has acknowledged the change with this message:</p> <div style="border: 1px solid black; padding: 2px; text-align: center;">CODE: Changed to <access code></div>
<code>ADDNUMBER [phone number]</code>	<p>With this configuration command, you can add a number to the CIM 260 phone number list. The number must be of international format with "+" followed by the country code and the local number. In the case of local numbers, "+" and the country code are not required. Up to four numbers can be stored.</p> <p>When a number has been added, CIM 260 acknowledges the change with this message:</p> <div style="border: 1px solid black; padding: 2px; text-align: center;">ADDNUMBER: <phone number> added to the phone number list</div> <p>The message will be sent to both the sender of the command and to the phone number which has been added. If the parameter is omitted, the phone number of the sender will be added.</p> <p>When CIM 260 has been initialised, only the number of the mobile phone used for initialisation will be in the internal phone number list of the module.</p> <p>To see the phone number list, use the command "LIST".</p> <p>Note that if all phone numbers are deleted, make sure that the access option is not "LIST", as this would leave CIM 260 unaccessible and require a hardware reset (press the reset button for five seconds) followed by a reconfiguration. For further information about hardware reset, see the installation and operating instructions for the CIM 260 cellular module.</p>

Command	Description
<p>DELNUMBER [phone number ALL]</p>	<p>With this configuration command, you can delete a number in the CIM 260 phone number list. If the number exists, it will be deleted, and CIM 260 acknowledges the change with this message:</p> <div data-bbox="384 217 1029 248" style="border: 1px solid black; padding: 2px;">DELNUMBER: <phone number> deleted from the phone number list</div> <p>The message will be sent to both the sender of the command and to the phone number which has been deleted. If the parameter is omitted, the phone number of the sender will be deleted. If the parameter is "ALL", all phone numbers will be deleted, and CIM 260 sends this message:</p> <div data-bbox="384 397 835 429" style="border: 1px solid black; padding: 2px;">DELNUMBER: Phone number list empty</div> <p>To see the phone number list, use the command "LIST". Note that if all phone numbers are deleted, make sure that the access option is not "LIST", as this would leave CIM 260 unaccessible and require a hardware reset, press the reset button for five seconds followed by a reconfiguration. For further information about hardware reset, see the installation and operating instructions for the CIM 260 cellular module.</p>
<p>NAME <installation name></p>	<p>With this configuration command, you can give CIM 260 an installation name of maximum 30 characters. The name will then be put in front of all messages from CIM 260. If a name consists of more than 30 characters, it will be shortened automatically. CIM 260 acknowledges the change with this message:</p> <div data-bbox="384 683 835 735" style="border: 1px solid black; padding: 2px;"><Installation name> NAME: New installation name stored</div> <p>You can delete the installation name by storing an empty installation name. CIM 260 sends this message:</p> <div data-bbox="384 788 835 820" style="border: 1px solid black; padding: 2px;">NAME: Installation name cleared</div> <p>Default setting: Empty.</p>

Command	Description
<p>HEARTBEAT <hour of day>, <day of week>, ..., <day of week></p>	<p>When this function is activated, CIM 260 regularly sends an SMS in form of a "STATUS1" message to all numbers in the phone number list. For further information about the "STATUS1" message, see section 4. <i>Status commands</i>.</p> <p>"HEARTBEAT" is a CIM 260 configuration command that you can use to set at which hour of the day and on which weekdays the message is to be sent.</p> <p><hour of day>: OFF, 0, 1, 2, ... , 24.</p> <p>1 is 1.00 o'clock AM, 12 is noon, and 0 or 24 is midnight. "OFF" disables the function.</p> <p><day of week>: ALL, MON, TUE, WED, THU, FRI, SAT, SUN.</p> <p>If "ALL" is selected, the message will be sent every day. If the hour of day is set to "OFF", the parameter day of week will be ignored and can be omitted.</p> <p>Note that you can select more than one specific day if they are separated by commas.</p> <p>CIM 260 acknowledges the change with this message:</p> <div data-bbox="381 560 1028 587" style="border: 1px solid black; padding: 2px;"> <p>HEARTBEAT: Changed to <hour of day> o'clock on <day of week></p> </div> <p>or</p> <div data-bbox="381 624 835 651" style="border: 1px solid black; padding: 2px;"> <p>HEARTBEAT: Changed to OFF</p> </div> <p>Example of command:</p> <p>HEARTBEAT 12, MON, THU</p> <p>This command will result in a heartbeat message at 12 o'clock Monday and Thursday every week.</p> <p>A heartbeat message contains the same information as a "STATUS1" message and will be sent to all numbers in the phone number list.</p> <p>Example of heartbeat message:</p> <div data-bbox="381 879 835 1062" style="border: 1px solid black; padding: 5px;"> <p>[Installation name] HEARTBEAT: Device OK Setpoint: 75 % Act. setpoint: 6.5 m Act. value: 6.2 m START from SMS CONTROL: Const press</p> </div>
	Continued on the next page.

Command	Description
	<p>"Device OK" will be replaced by an alarm or warning text if there is a fault in the device. See section 4. <i>Status commands</i>.</p> <p>To perform the function, CIM 260 depends on time information being available. CIM 260 normally gets the time value from the cellular network upon initialisation after a power cut. If this service is not available in the network and the heartbeat function has been activated, CIM 260 sends this message:</p> <div data-bbox="389 304 1028 376" style="border: 1px solid black; padding: 5px;"> <p>NOTICE: Your network does not support time information. Please enter: "TIME yyyy, mm, dd, hh, mm" for the heartbeat function to work.</p> </div> <p>If the message is sent because the heartbeat function was activated, it will only be sent to the phone number that activated the function. If the message is sent because of missing time information at initialisation, it will be sent to all numbers in the phone number list.</p> <p>When the time value has been set either manually with the command "TIME" or automatically from the network service, the internal real time clock of CIM 260 works correctly as long as a power supply is present. To see the settings, use the command "SMSSETTINGS". Default setting: OFF.</p>
<p>TIME <year>, <month>, <day>, <hour>, <minute></p>	<p>If the cellular network does not support time information for synchronising the internal real time clock of CIM 260, you can use this command to supply the information. Once synchronised, the internal clock will run as long as CIM 260 is powered or connected to its backup battery.</p> <p>Parameters:</p> <p><year>: 2010-2100</p> <p><month>: 1-12</p> <p><day>: 1-31</p> <p><hour>: 0-23</p> <p><minute>: 0-59</p> <p>If the setting has been done correctly, CIM 260 sends this message:</p> <div data-bbox="389 938 835 991" style="border: 1px solid black; padding: 5px;"> <p>TIME: Time has been set to <year> <month> <day> <hour>:<minute></p> </div> <p><month>: A three-letter truncation of month. Example: The command "TIME 2010, 5, 6, 9, 30" results in this message:</p> <div data-bbox="389 1066 835 1094" style="border: 1px solid black; padding: 5px;"> <p>TIME: Time has been set to 2010 May 6 09:30</p> </div> <p>If any of the parameters are outside their specified range or missing, CIM 260 sends this message:</p> <div data-bbox="389 1150 835 1182" style="border: 1px solid black; padding: 5px;"> <p>TIME: Illegal or missing command parameter</p> </div> <p>The real time setting only influences the heartbeat function. To see the value of the internal real time clock, use the command "SMSSETTINGS".</p>

Command	Description
SMSALARM <ON OFF>	<p>With this configuration command, you can enable or disable the transmission of alarm messages from the product in form of a "STATUS1" message to all numbers in the phone number list. For further information about the "STATUS1" message, see section 4. <i>Status commands</i>. CIM 260 acknowledges the change with this message:</p> <div data-bbox="389 240 835 268" style="border: 1px solid black; padding: 2px;">SMSALARM: Changed to <ON OFF></div> <p>Example of alarm message for a Hydro MPC booster system:</p> <div data-bbox="389 304 835 464" style="border: 1px solid black; padding: 2px;"> <p>[Installation name] ALARM APPEARED Water shortage (214) Setpoint 78 % Act. setpoint: 4.2 bar Act. value: 4.0 bar Stopped due to alarm</p> </div> <p>If the function is enabled, a message will also be sent when the cause of the alarm has disappeared and the product has returned to normal state. The message content will be the same, the message will, however, read:</p> <div data-bbox="389 539 835 566" style="border: 1px solid black; padding: 2px;">ALARM DISAPPEARED.</div> <p>To see the settings, use the command "SMSSETTINGS". Default setting: ON.</p>
SMSWARN <ON OFF>	<p>With this configuration command, you can enable or disable the transmission of warning messages from the product in form of a "STATUS1" message to all numbers in the phone number list. For further information about the "STATUS1" message, see section 4. <i>Status commands</i>. CIM 260 acknowledges the change with this message:</p> <div data-bbox="389 767 835 794" style="border: 1px solid black; padding: 2px;">SMSWARN: Changed to <ON OFF></div> <p>Example of warning message for a Hydro MPC booster system:</p> <div data-bbox="389 831 835 1002" style="border: 1px solid black; padding: 2px;"> <p>[Installation name] WARNING APPEARED Feedback sensor signal fault (171) Setpoint 78 % Act. setpoint: 4.2 bar Act. value: 4.0 bar START from SMS</p> </div> <p>If the function is enabled, a message will also be sent when the cause of the warning has disappeared and the product has returned to normal state. The message content will be the same, the message will, however, read:</p> <div data-bbox="389 1102 835 1129" style="border: 1px solid black; padding: 2px;">WARNING DISAPPEARED.</div> <p>To see the settings, use the command "SMSSETTINGS". Default setting: ON.</p>
CONNECTIONALARM <ON OFF>	<p>If CIM 260 has no product connected, an SMS alarm will be generated and the GENIbus LED2 will be blinking red. This default behaviour can be switched on and off with this command. CIM 260 acknowledges the change with the Acknowledgement SMS:</p> <div data-bbox="389 1347 835 1374" style="border: 1px solid black; padding: 2px;">CONNECTIONALARM: Changed to <ON OFF></div> <p>The intention for switching the alarm off is to use CIM 260 in a CIU 261 without having to connect a GENIbus device, if you only want to use the functionality associated with the build-in IO 270 signals. Default setting: "ON".</p>

Command	Description
<code>STATUSPROTECT <ON OFF></code>	<p>As default, access control does not prevent status commands from being executed. Only unauthorised configuration and control commands are blocked. If access control is to be applied for all commands (status protection), use this configuration command to activate status protection. To see the settings, use the command "SMSSETTINGS". Default setting: OFF.</p>
<code>SMSLIMIT <ON OFF></code>	<p>The same event message cannot be sent more than 10 times in a row within 24 hours. This prevents the transmission of an unlimited stream of identical messages if the Grundfos product is in a condition where the same event appears and disappears continuously within a short period. The total number of event messages is also limited to 100 within 24 hours. The command activates or deactivates the two limitations. CIM 260 acknowledges the change with this message:</p> <div style="border: 1px solid black; padding: 2px;">SMSLIMIT: Changed to <ON OFF></div> <p>If the limitations are activated and one of the limits is reached, CIM 260 sends this message:</p> <div style="border: 1px solid black; padding: 2px;">SMS alarm/warning limit of 10 identical messages per day has been reached</div> <p>or</p> <div style="border: 1px solid black; padding: 2px;">SMS alarm/warning limit of a total of 100 messages per day has been reached</div> <p>To see the settings, use the command "SMSSETTINGS". Default setting: ON.</p>
<code>SETCODETEXT <event code> <text></code>	<p>Alarms and warnings (events) from a connected product are normally sent to all phone numbers in the phone number list in form of a "STATUS1" message containing the standard English text belonging to the event code in question.</p> <p>The user can configure own texts for up to ten different event codes. This is done one at a time with this configuration command.</p> <p>The event code texts to be changed are changed one by one by repeating the command. Leaving out the <name> argument resets the text of the event code in question to the original text. Leaving out both arguments resets all event code texts to their original text.</p> <p>Parameters:</p> <p><event code>: The event code in question.</p> <p><text>: The new text for the event code. If this field is left empty, the text of the event code is reset to its factory default text.</p> <p>If both parameter fields are left empty, all event code texts are reset to their factory default text.</p> <p>Example:</p> <p>SETCODETEXT 3 Alarm button pressed</p> <p>CIM 260 acknowledges the command with this message:</p> <div style="border: 1px solid black; padding: 2px;">SETCODETEXT: Text for event code 3 changed to Alarm button pressed</div> <p>Example:</p> <p>SETCODETEXT "empty" "empty"</p> <p>CIM 260 acknowledges the command with this message:</p> <div style="border: 1px solid black; padding: 2px;">SETCODETEXT: Text for all event codes reset to factory text</div> <p>The text of any event code can always be requested with this command:</p> <p>GETCODETEXT <event code>.</p>

Command	Description
GETCODETEXT <event code>	<p>This is a status command used to read the text associated with an alarm or warning code (event code). Example:</p> <p>GETCODETEXT 3</p> <p>CIM 260 acknowledges the command with this message:</p> <div data-bbox="381 256 1031 312" style="border: 1px solid black; padding: 2px;"><p>GETCODETEXT: Text for event code 3: Alarm button pressed (user-defined text)</p></div> <p>The last parenthesis tells if the text is a user-defined text or if it is the factory default text.</p>

3.3 Configuration for a call-up connection

To see the status, use the command "SCADASETTINGS".

Command	Description
SETSCADACODE <access code>	Sets a four-digit SCADA access code. If SCADA access code protection is set to "ON", see below, write the SCADA access code in the Modbus register "ScadaPinCode" (Reg. 000011) before data can be written to CIM 260. For the use of SCADA access code protection, see the functional profile and user manual for the product in question.
SCADACODE <ON OFF>	Sets SCADA access code protection to "ON" or "OFF". Default setting: OFF.
MODBUSADDR <1-247>	Normally, the Modbus address does not play any role in a call-up or a data connection, as the SIM card phone number or the assigned IP address replaces the addressing mechanism. The default Modbus address usually works fine, but it can be changed with this command if required. Default setting: 231.

3.4 Configuration for a data connection

To see the status, use the command "APNSETTINGS".

Command	Description
APN <APN string>	Set the Access Point Name (APN) according to the information from your network service provider. Default setting: Empty.
USERNAME <alpha numeric string>	Set the user name for the APN according to the information from your network service provider. In many cases, a user name is not necessary. Default setting: Empty.
PASSWORD <alpha numeric string>	Set the password for login to the APN according to the information from your network service provider. In many cases, a password is not necessary. Default setting: Empty.
AUTHENTICATION <NORMAL SECURE>	Select this option for login to the APN according to the information from your network service provider. In many cases, it is not necessary to change the setting. Default setting: NORMAL.
CONNECTION <SERVER CLIENT DISABLED>	CIM 260 only supports connection mode "SERVER" or "DISABLED". You can use "DISABLED" as a simple way to disable the APN connection without removing the settings in the APN string. Default setting: SERVER.
DATAROAMING <ON OFF>	This command makes it possible to enable and disable data roaming if roaming for call-up and SMS communication is enabled with the command "ROAMING". Default setting: OFF.
MODBUSPORT <port number>	It will only be necessary to change the default setting of the Modbus port number in very special cases. Default setting: 502.
GENIPROPORT <port number>	Used for data connection to a Grundfos PC Tool. It will only be necessary to change the default setting of the GENIpro port number in very special cases. Default setting: 49152.

Command	Description
SETAPN <parameters>	<p>It is possible to configure the APN connection with this single multiparameter command.</p> <p>Parameters:</p> <pre> <APN>: APN string or IP address <Modbus port>: 1-65535 <GENIpro port>: 1-65535 <user name>: alpha numeric string <password>: alpha numeric string <authentication>: NORMAL SECURE <connection>: SERVER CLIENT DISABLED <data roaming>: ON OFF <datasilencetimeout>: 1-65535min </pre> <p>Example 1:</p> <div data-bbox="445 539 1031 592" style="border: 1px solid black; padding: 2px;"> SETAPN Grundfos.dk2.tdc,502,49152,Grundfos,4321,NORMAL,SERVER,OFF,60 </div> <p>Example 2:</p> <div data-bbox="445 624 1031 655" style="border: 1px solid black; padding: 2px;"> SETAPN Grundfos.dk2.tdc,502,49152,,,NORMAL </div> <p>In the second example, some parameters are omitted in the middle and at the end of the parameter string. CIM 260 acknowledges the change with the same message as for the status command "APNSETTINGS".</p>

4. Status commands

You get information about the status of CIM 260 and the Grundfos product by means of status commands. See table below. Apart from the commands "LIST", "APNSETTINGS" and "SCADA", the commands are not subject to access control, unless "STATUSPROTECT" = "ON" as they do not change anything in the CIM 260 or the Grundfos product.

Command	Description
SMSSETTINGS	<p>With this status command, you can see the configuration status of CIM 260. Example of reply:</p> <div style="border: 1px solid black; padding: 5px;"> <p>[Installation name] Configuration status: Access control: CODE Heartbeat: At 12:00 Wed Roaming: OFF SMS alarm: ON SMS warning: ON SMS limit: ON TIME: 2010 Mar 29 08:35 Status protection: OFF Blocking SMS spam: OFF SMS controls: ON Connection SMS alarm: ON</p> </div>
LIST	<p>With this status command, you can see which numbers are in the CIM 260 phone number list. CIM 260 sends a message with all phone numbers. Each number takes up a line. Example of reply:</p> <div style="border: 1px solid black; padding: 5px;"> <p>[Installation name] LIST: +4520509988 +4521190627 +4522814495</p> </div> <p>If there are no numbers in the phone number list, CIM 260 sends this message:</p> <div style="border: 1px solid black; padding: 5px;"> <p>[Installation name] LIST: Phone number list empty</p> </div> <p>Note that "LIST" is subject to access control if you have selected another access option than "NONE".</p>
SIGNALLEVEL	<p>With this status command, you get information from CIM 260 about the detected signal strength of the cellular network: Not detected, 0 %, 25 %, 50 %, 75 %, 100 %</p> <p>Example of reply:</p> <div style="border: 1px solid black; padding: 5px;"> <p>[Installation name] Signal level: Actual 100 % Average 50 % RSSI: 20</p> </div> <p>RSSI means Received Signal Strength Indicator and is a value from 0 to 31. The actual value is the value read from CIM 260 right now; the average value is the average of the signal during the last hour. Note that not all network operators support this service.</p>

Command	Description
STATUS1/STATUS2	<p>With these status commands, you get information from CIM 260 about the Grundfos product. The values measured are as reported from the Grundfos product. The content of the message depends on the product type. Example of "STATUS1" message for a pump:</p> <div style="border: 1px solid black; padding: 5px;"> <p>[Installation name] Setpoint: 65 % of (0-10 bar) Act. setpoint: 6.5 bar Act. value: 5.2 bar START from SMS Control: Const. press.</p> </div> <p>Example of "STATUS2" message for a pump:</p> <div style="border: 1px solid black; padding: 5px;"> <p>[Installation name] Head: 8.4 m Flow: 24 m³/h Power: 1830 W Performance 79 % Energy: 4570 kWh Hours: 2568 h</p> </div>
VERSION	<p>With this status command, you get information, such as the software version of CIM 260 and the type of Grundfos product. Example of reply:</p> <div style="border: 1px solid black; padding: 5px;"> <p>[Installation name] Firmware V01.00.00 Telit 07.03.101 Hydro MPC booster IMEI: 3570220010091936 IMSI: 770008945629634</p> </div> <p>IMEI is the equipment identity number, and IMSI is the subscriber identity number.</p>
BATTERY	<p>With this status command, you get information about the battery status if CIM 260 is equipped with a battery, optional. Example of reply:</p> <div style="border: 1px solid black; padding: 5px;"> <p>[Installation name] External voltage: Yes Battery voltage: 3.5 V Battery temp: 37 C Battery charging: Yes Charging suspended: No</p> </div> <p>Battery charging is suspended if the temperature is too high.</p>
NETWORK	<p>With this status command, you get information about the cellular network and the network operator. Example of reply:</p> <div style="border: 1px solid black; padding: 5px;"> <p>[Installation name] Operator: <operator> Band: 900 MHz Access technology: 4G Roaming: Yes Data roaming: No Power on: 1672:32 h</p> </div>
SCADA	<p>With this status command, you get information about the SCADA settings. Example of reply:</p> <div style="border: 1px solid black; padding: 5px;"> <p>[Installation name] SCADA code: <access code> SCADA code: ON Modbus address: 231</p> </div> <p>Note that "SCADA" is subject to access control if another access option than "NONE" has been selected.</p>

Command	Description
SMSCOUNT	<p>With this status command, you get information about the SMS and call-up data counters. Example of reply:</p> <pre>[Installation name] SMS sent: 4502 SMS received: 37 Call-up: 188:22 h Call-back: 44:09 h Counter time: 1435:43 h Counter time in [h:min] since Last counter reset.</pre> <p>The counters can be reset with the command "RESETCOUNT".</p>
APNSETTINGS	<p>With this status command, you get information about the settings of the APN connection. Example of reply:</p> <pre>[Installation name] APN: Grundfos.dk2.tdc MODBUSPORT: 502 GENIPROPORT: 49152 USERNAME: - PASSWORD: - AUTHENTICATION: NORMAL CONNECTION: SERVER DATAROAMING: ON SERVER *): 172.16.2.66</pre> <p>Note that "SCADA" is subject to access control if you have selected another access option than "NONE". *) If connection mode is "CLIENT".</p>
APNDATA	<p>With this status command, you get information about the Modbus TCP status. Example of reply:</p> <pre>[Installation name] Packets: 374021 Received: 196684 kb Sent: 183427 kb Counter time: 419:51 h></pre> <p>Packets: The sum of Modbus TCP and GENIpro TCP. Counter time: The time since the last APN connection restart. You can reset the counters and restart the connection with the command "RESTARTAPN".</p>
APNSTATUS	<p>With this status command, you get information about the APN connection status. Example of reply:</p> <pre>[Installation name] APN: CONNECTED IP: 172.16.1.30 Modbus Port: 502 GENIpro Port: 49152 Modbus addr: 231 Socket 1: OPEN Socket 2: CLOSED Socket 3: CLOSED Socket 4: CLOSED Silence timeout: 60 min. APN re-starts 34</pre> <p>Socket 1-3: Modbus TCP connection. Socket 4: GENIpro TCP connection.</p>

5. Control commands

5.1 CIM 260

Command	Description
RESETCOUNT	Resets SMS and call-up counters. CIM 260 acknowledges the change with this message: RESETCOUNT: SMS and call-up counters reset
RESTARTAPN	Restarts the data connection. CIM 260 acknowledges the change with this message: RESTARTAPN: Data connection restarted

5.2 Grundfos product

By means of the control commands in the table below, you can set the Grundfos product to run in the desired control mode and operating mode and to change the setpoint. CIM 260 acknowledges the change by sending a "STATUS1" message to the mobile phone from which the command was sent.

Changing of control mode, operating mode or setpoint for a pump will automatically set the pump to remote-controlled operation. These settings are saved in the CIM 260 module in case of power cuts. They can also be changed via a call-up connection or a data connection. The latest change of settings will apply. Changes via call-up connection or data connection, however, are not saved in CIM 260 in case of power cuts.



The commands depend on the Grundfos product. If the command is not supported by the product, the product will ignore the command, and CIM 260 sends this message:

<command>: Command not supported by connected device type



The commands are all subject to access control if another access option than NONE has been selected.



Control of Hydro MPC via CIM 260 requires this setting via the operating panel of the CU 352.

Settings > Secondary functions > Control source.
Select "From bus". For further information, see the installation and operating instructions for Hydro MPC on Grundfos Product Center.

Command	E-pumps	MAGNA3	Hydro MPC	Hydro Multi-E	MP 204	CIU 262	LC 2x1	Description
RESETALARM	•	•	•	•	•	•	•	Resets an alarm or a warning in the Grundfos product if the fault no longer exists. The product will try to restart.
REMOTE	•	•	•	•	-	-	-	Sets the Grundfos product to remote-controlled operation. The Grundfos product is controlled via CIM 260.
LOCAL	•	•	•	•	-	-	-	Sets the Grundfos product to locally controlled operation. The setpoint, operating mode and control mode can be changed on the product or by means of Grundfos Go Remote.
START	•	•	•	•	•	-	-	Starts the Grundfos product.
STOP	•	•	•	•	•	-	-	Stops the Grundfos product.
MIN	•	•	•	-	-	-	-	Changes the operating mode of the Grundfos product to "Min.". It will run according to the min. curve.
MAX	•	•	•	•	-	-	-	Changes the operating mode of the Grundfos product to "Max.". It will run according to the max. curve.
SETPOINT <value>	•	•	•	•	-	-	-	Sends a new setpoint value to the product. If the setpoint is outside the permissible range, it will automatically be changed to the nearest value within the range. Due to the limited scaling range and the resolution, the resultant setpoint may deviate from the one sent to the product. Closed loop: The setpoint is specified as a decimal point value scaled in the same unit as the feedback sensor. The command "STATUS1" provides information about the sensor scaling. MAGNA3 pumps always use [m]. Units on the MPC display can differ from "unit" if other units than standard SI units have been selected for sensors. Open loop: The setpoint is specified as a decimal point value scaled in %.
CONSTCURVE	•	•	•	-	-	-	-	This command sets the Grundfos product to control mode "Constant curve".
CONSTPRESS	•	•	•	-	-	-	-	This command sets the Grundfos product to control mode "Constant pressure".
PROPPRESS	•*	•	•	-	-	-	-	This command sets the Grundfos product to control mode "Proportional pressure".
AUTOADAPT	•*	•	-	-	-	-	-	This command sets the Grundfos product to control mode "AUTO _{ADAPT} ".
CONSTTEMP	•	•	-	-	-	-	-	This command sets the Grundfos product to control mode "Constant temperature".
FLOWADAPT	•	•	-	-	-	-	-	This command sets the Grundfos product to control mode "FLOW _{ADAPT} ".
CLSSENSOR	•	-	-	-	-	-	-	This command sets the Grundfos product to control mode "Closed loop sensor".
CONSTFLOW	•	-	-	-	-	-	-	This command sets the Grundfos product to control mode "Constant flow".

Command	E-pumps	MAGNA3	Hydro MPC	Hydro Multi-E	MP 204	CIU 262	LC 2x1	Description
CONSTLEVEL	•	-	-	-	-	-	-	This command sets the Grundfos product to control mode "Constant level".
CONSTDIFFPRESS	•	-	-	-	-	-	-	This command sets the Grundfos product to control mode "Constant differential pressure".
CONSTDIFFTEMP	•	-	-	-	-	-	-	This command sets the Grundfos product to control mode "Constant differential temperature".

Command	E-pumps	MAGNA3	Hydro MPC	Hydro Multi-E	MP 204	CIU 262	LC 2x1	Description
ALARMSIM <code>	•	•	•	-	•	•	•	This command makes the Grundfos product simulate an alarm with an event code. If the product supports the alarm selected and "SMSALARM" is set to "ON", it reacts accordingly for instance by sending an alarm message.
WARNSIM <code>	•	•	•		•	•	•	This command makes the Grundfos product simulate a warning with an event code. If the product supports the warning selected and "SMSWARN" is set to "ON", it reacts accordingly for instance by sending a warning message.

* Only TPE 2000.

Example 1

CIM 260 has been configured to access option "CODE", and the access code has been set to "8977". You can reset an alarm with this command:

8977 RESETALARM

Example 2

The number of your mobile phone is in the phone number list of CIM 260, and the access option is "BOTH" (default setting). You can change the setpoint to 4.5 m with this command:

SETPOINT 4.5

Note that the unit of the setpoint is not to be written as a part of the command parameter, as it is implicitly given by the scaling unit of the feedback value.

6. Messages from CIM 260

CIM 260 sends messages in case of faults or other special conditions in the module itself. These messages do not depend on the Grundfos product. You can enable/disable the messages with the command "SMSALARM <ON | OFF>". If "SMSALARM" is set to "ON", they will be sent to all numbers in the phone number list.



No message will be sent if the phone number list is empty, for instance if the module has not been initialised.

The message is triggered by an event. If you switch CIM 260 off and on, you must remove the battery first, it sends the message again if the cause of the message still exists.

6.1 No connection to product

If the communication between CIM 260 and the Grundfos product is interrupted for more than one minute, CIM 260 sends this message to all numbers in the phone number list.

[Installation name]
Cellular module error:
No connection to product

If the cause of the interruption is the fact that the power supply to the product was interrupted, CIM 260 sends this message instead:

No mains supply, using battery.

See below.

6.2 No mains supply, using battery

If CIM 260 detects that it is being supplied from the battery, it sends this message to all numbers in the phone number list:

[Installation name]
Cellular module error:
No mains supply, using battery

This fault type will probably disappear by itself, as the message is typically triggered by a short power cut. In case of this special fault but not the other ones, CIM 260 sends a message, telling that the fault has disappeared:

[Installation name]
Cellular module:
Mains supply returned

If the battery is worn out or CIM 260 has no battery, CIM 260 will not detect if the power supply to the Grundfos product has been interrupted, as it will lose power supply itself. It can therefore not send a message. To inform the user that there has been a power cut, CIM 260 always sends a message when the power supply has returned:

[Installation name]
Cellular module:
Power on occurred

6.3 Change cellular module battery

If CIM 260 detects that the battery is worn out and must be replaced, it will send this message to all numbers in the phone number list:

[Installation name]
Cellular module error:
Change Cellular module battery

The CIM 260 module battery is optional.

6.4 Cellular module battery low

If CIM 260 detects that the battery level is low, it sends this message to all numbers in the phone number list:

[Installation name]
Cellular module error:
Cellular module battery low

The CIM 260 cellular module battery is optional.

7. Additional SMS functionality of CIU 261

7.1 Introduction

CIU 261 consists of a CIM 260 module and an IO 270 multipurpose I/O module mounted in a CIU box. See fig. 1.

The IO 270 adds I/O features to the functionality of the "standard" CIU 260. See fig. 2. This functional profile describes the additional Modbus registers relating to the IO 270.

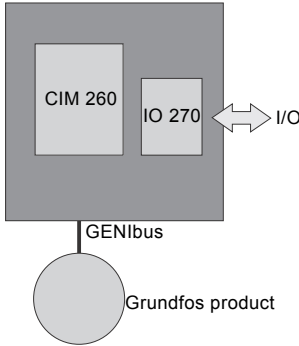


Fig. 1 CIM 260 and IO 270 built into a CIU 261 and connected to a Grundfos product via GENIbus

TM05 7742 1613

The tables below show how to configure the analog and digital inputs using jumpers J1-J4. It also gives an overview of the options. You find details as how to connect sensors, relays, etc., and the layout of the terminals in the installation and operating instructions "Multipurpose IO module in CIU 27X", which is the IO 270 hardware manual.

Selection AI1 / DI1

J1	J2	Signal
Open	Open	Analog 0-10 V
Open	Closed	Analog 0-20 mA
Closed	Open	Analog 4-20 mA
Closed	Closed	Digital (default)

Selection AI2 / DI2

J3	J4	Signal
Open	Open	Analog 0-10 V
Open	Closed	Analog 0-20 mA
Closed	Open	Analog 4-20 mA
Closed	Closed	Digital (default)

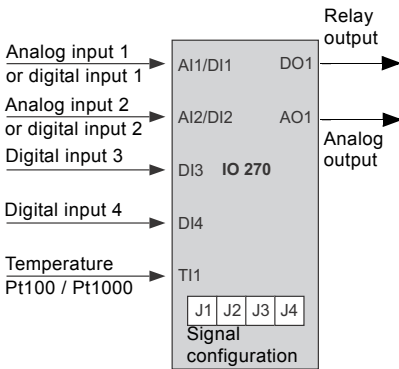


Fig. 2 IO 270 I/O signals. Jumpers are used to configure analog input signal types and selection between AI1/DI1 and AI2/DI2. The digital inputs (DI1-DI4) are normally open (NO) contacts

TM05 7743 1613

7.2 Configuration of IO 270 signal names

You can change the default signal names "Analog input 1 (AI1)", "Digital input 1 (DI1)", etc. The table below shows the commands for this purpose.

Naming of AI1	AI1NAME <text>
Naming of AI2	AI2NAME <text>
Naming of TI1	TI1NAME <text>
Naming of DI1	DI1NAME <text>
Naming of DI2	DI2NAME <text>
Naming of DI3	DI3NAME <text>
Naming of DI4	DI4NAME <text>
Naming of AO1	AO1NAME <text>
Naming of DO1	DO1NAME <text>

Example: To change the name of AI1, use the command "AI 1NAME" followed by the new name in < >.

If the < > field is left empty, the user name will be cleared and reset to the factory default name.

CIM 260 sends one of these messages:

Positive acknowledgement of name change	AI1NAME: Changed to <name>
Positive acknowledgement of name clearing	AI1NAME: User defined name cleared
Negative acknowledgement	AI1NAME: Illegal name format See symbolic parameters, section 2.1 <i>CIU 261</i> .
Negative acknowledgement if used as DI1	AI1NAME: AI1 not available

The text configuration of signals is accepted whether the IO 270 module is present or not, as long as the command syntax is correct. Seeing the status of configured signal texts is only possible with the command "IOSTATUS" if there is an IO 270.

7.3 Configuration of IO 270 signal scaling

The default scale of analog readings of IO 270 is 0-100 %. You can adjust the scaling of each analog signal to the actual sensor using the commands in the table below.

Scaling of AI1	AI1SCALE [<value> <value> <alpha string>]
Scaling of AI2	AI2SCALE [<value> <value> <alpha string>]
Scaling of AO1	AO1SCALE [<value> <value> <alpha string>]



Temperature input TI1 has a fixed scaling of [-50; 204] C corresponding to the scaling in the corresponding Modbus register 01222 IO270_Temperature.

Leaving out all arguments to one of these commands will reset the scaling of the input in question to its factory setting [0; 100] %.

An acknowledgment SMS is replied to the phone. This is shown below for command "AI1SCALE".

Positive acknowledgement (changed scaling)	AI1SCALE: Changed to range: <value> to <value> <alpha string>
Positive acknowledgement (reset to default)	AI1SCALE: Scaling reset to factory scaling [0; 100] %
Negative acknowledgement	AI1SCALE: Illegal or missing command parameter See symbolic parameters, section 2.1 <i>CIU 261</i> .
Negative acknowledgement if used as DI1	AI1SCALE: AI1 not available

The negative acknowledgement appears if one or more command parameters are missing or have a syntax error, or if the scaling range is inconsistent.

The configuration of signal scaling is accepted whether IO 270 is present or not, as long as the command syntax is correct. To see the status, use the command "IOSCALING".

7.4 IO 270 operation

IOSTATUS

Command to request status. The CIM 260 module replies with information about the status of the IO 270. The measured values are as reported by the IO 270 device.

[Installation name]	Explanation
AI1: 87.1 %	<i>[-] if used as DI1, [sensor error] if sensor signal fault (Reg. 01211).</i>
AI2: -	<i>[-] if used as DI2, [sensor error] if sensor signal fault (Reg. 01212).</i>
T11: 48.4 C	<i>[sensor error] if sensor signal fault (Reg. 01213).</i>
DI1: -	<i>[-] if used as AI1.</i>
DI2: On	<i>[-] if used as AI2.</i>
DI3: Off	
DI4: On	
AO1: 55.6 %	<i>Using default 0-100 % scaling in this example.</i>
DO1: On	<i>Terminal NO = closed, terminal NC = open.</i>
IOSMS: On	<i>IO event-triggered SMS is enabled.</i>



A closed digital input is named "off" and an open digital input is named "on".



This example assumes that user-defined signal names, section 7.2 *Configuration of IO 270 signal names*, or analog signal scaling, section 7.3 *Configuration of IO 270 signal scaling*, has not been configured.

Since digital inputs (DI1-DI4) are normally open an open contact will be named "off" and a closed contact will be named "on".

If signal names or analog signal scaling has been configured, the reply to "IOSTATUS" could e.g. look like this:

[Installation name]	Explanation
AI1: Tank pressure: 4.59 bar	<i>[-] if used as DI1, [sensor error] if sensor signal fault (Reg. 01211).</i>
AI2: Tank outlet: 34.2 m3/h	<i>[-] if used as DI2, [sensor error] if sensor signal fault (Reg. 01212).</i>
T11: Air temperature: -5.6 C	<i>T11 scaling is always [-50; 204] C.</i>
DI1: -	<i>[-] if used as AI1.</i>
DI2: -	<i>[-] if used as AI2.</i>
DI3: Burglar alarm: Off	
DI4: Door switch: Off	
AO1: Cooling fan: 55.6 %	<i>Using default 0-100 % scaling in this example.</i>
DO1: Light switch: On	<i>Terminal NO = closed, terminal NC = open.</i>
IOSMS: On	<i>IO event-triggered SMS is enabled.</i>

If there is no IO 270, or the connection to it is faulty, CIM 260 sends a negative acknowledgement:

```
IOSTATUS: IO 270 module not present
```

IOSCALING

Command for status of signal scaling. The CIM 260 module replies with information about the status of the analog signal scaling of the IO 270.

[Installation name]	Explanation
AI1: [0.0; 10.0] bar	[<i>-</i>] if used as DI1.
AI2: [-20.0; 80.0] C	[<i>-</i>] if used as DI2.
TI1: [-50; 204] C	This scaling is fixed and cannot be changed by the user.
AO1: [0; 100] %	The example shows the default (factory) scaling.

Signal	Modbus register	Modbus scaling	SMS scaling
AI1	10223 IO270_AnalogInput1	0.1 %	[AI1 _{min} ; AI1 _{max}]
AI2	10224 IO270_AnalogInput2	0.1 %	[AI2 _{min} ; AI2 _{max}]
AO1	01201 SetAnalogOutput1	0.1 %	[AO1 _{min} ; AO1 _{max}]

User-defined signal scaling is used by the SMS interface but the Modbus register scaling is fixed.

ANALOGOUT <value>

Control command for setting the value of AO1. The argument "value = [0.0; 100.0] %" is default if no user-defined scaling is used. "value" is written to Modbus register 01201: IO270_SetAnalogOut.

If analog signal scaling is used for AO1, it must also be used when specifying the signal value to send to AO1. See section 7.3 *Configuration of IO 270 signal scaling*.

Example

The analog output signal range has been configured to [-20; 40] C.

To change an analog output value to for instance -5.8 C, write this command:

```
ANALOGOUT -5.8
```

The resulting voltage at AO1 will be: $(-5.8 - \text{range}_{\text{min}}) / (\text{range}_{\text{max}} - \text{range}_{\text{min}}) * 10 \text{ V} = 2.36 \text{ V}$.

Taking the scaling range and resolution into consideration, the value is mapped as precisely as possible and sent to the analog output of IO 270. A small rounding deviation may occur.

CIM 260 sends an acknowledgement in form of an "IOSTATUS" message to the phone from which the SMS command was sent.

If <value> is not a legal floating point number for instance if it contains illegal characters, CIM 260 sends a negative acknowledgement:

```
ANALOGOUT: Illegal command parameter.
Must be a number
```

If <value> is outside the scaling range, CIM 260 sends a negative acknowledgement:

```
ANALOGOUT: Illegal command parameter.
Must be inside scaling range.
```

If an IO 270 is incorrectly installed or the connection is faulty, CIM 260 sends a negative acknowledgement:

```
ANALOGOUT: IO 270 module not present
```

RELAYOUT <ON | OFF>

Control command for the output relay.

"ON" means that the relay is in its activated state. Terminal NO = closed, terminal NC = open.

The "ON" or "OFF" value is written to Modbus register 01202 SetRelayOut with the values "ON = 1" and "OFF = 0".

CIM 260 sends an acknowledgement in form of an "IOSTATUS" message to the phone from which the SMS command was sent.

If the argument differs from "ON" or "OFF", CIM 260 sends a negative acknowledgement:

```
RELAYOUT: Illegal command parameter.
Must be ON or OFF.
```

If there is no IO 270, or the connection is faulty, CIM 260 sends a negative acknowledgement:

```
RELAYOUT: IO 270 module not present
```

7.5 Self-triggered IO event messages

The event that a digital input changes its state from "Off" (low) to "On" (high) or from "On" (high) to "Off" (low) can be configured to trigger an SMS informing the user about the event. Similarly, when an analog input becomes higher or lower than a configurable monitor level, this can also trigger an SMS.

We will refer to such an SMS as a self-triggered IO event message. This function can be enabled or disabled.

IOSMS <ON | OFF>

Configuration command for enabling or disabling the transmission of self-triggered IO event messages.
Factory setting: OFF.

CIM 260 acknowledges the change with this message:

IOSMS: changed to <ON | OFF>

Changing the status of "IOSMS" is possible whether IO 270 is present or not, as long as the command syntax is correct. Seeing the status of "IOSMS" is only possible with "IOSTATUS" command though, and only if IO 270 is present.

If the command parameter is illegal or missing, CIM 260 sends a negative acknowledgement:

IOSMS: Illegal command parameter. Must be ON or OFF.

When self-triggered IO event messages are enabled, messages like the examples below will be sent when a digital input changes its state or an analog input value crosses the monitor level:

[Installation name]	Explanation
D11: → On	<i>D11 is now "On" (high).</i>
D13: → Off	<i>D13 is now "Off" (low).</i>
D14, Door switch: → Off	<i>D14 is now "Off" (low).</i>
A11, Tank pressure: → High	<i>A11 exceeds level.</i>
A12: → High	<i>A12 exceeds level.</i>
T11, Water temperature: → Low	<i>T11 falls below level.</i>

The event latching time is the time that the event condition must be kept for the event to be triggered.

It works as a time hysteresis.

If the condition changes do not last as long as the event latching time, it will not be triggered.

The event latching time is 3 seconds.

SETAI1LEVEL <value | "empty">

This is a configuration command for the cellular module which is used to configure the monitor level for AI1.

A similar command exists for AI2 and TI1. The three monitor level values are not available on Modbus.

"value = [0.0; 100.0] %" as default if no user-defined scaling is used. See section 7.3 *Configuration of IO 270 signal scaling*.

If analog signal scaling is used for AO1 (see section 7.3 *Configuration of IO 270 signal scaling*), the scaling must also be used when specifying the signal value to send to AO1.

Example

The analog output signal range is configured to [0; 50] m³/h.

To get a monitor level of 35 m³/h, write:

```
SETAI1LEVEL 35
```

CIM 260 sends this message to the phone from which the SMS command was sent:

```
SETAI1LEVEL: Analog input 1 level set to <value> <alpha string>
```

The alpha string represents the unit.

If <value> is not a legal floating point number (for instance if it contains illegal characters), CIM 260 sends a negative acknowledgement:

```
SETAI1LEVEL: Illegal command parameter. Must be a number
```

If <value> is outside the scaling range, CIM 260 sends a negative acknowledgement:

```
SETAI1LEVEL: Illegal command parameter. Must be inside scaling range
```

If an empty argument is used, the monitor level will be reset to the factory-set default value equal to the maximum range of the input, 100 %.

You can configure monitor levels whether IO 270 is present or not, as long as the command syntax is correct.

GETLEVELS

Status command for displaying the monitor values of AI1, AI2 and TI1. Below is an example of a reply:

```
[Installation name]
```

```
Monitor level AI1: 8 bar
```

```
Monitor level AI2: 35 m3/h
```

```
Monitor level TI1: -3.5 C
```

The levels will be shown as scaled (as above) if the input is scaled.

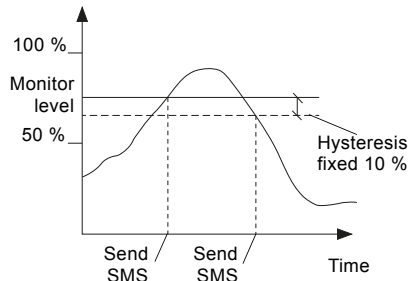


Fig. 3 Event messages triggered by the monitor level of an analog input

TM05 7990 1813

7.6 Digital input naming relations

DI contact	DI status name	Associated Modbus bit (IO270_DigitalInputs)	M2M triggered SMS
Open	Off	0	DI#LOW
Closed	On	1	DI#HIGH

7.7 Configuration of alarm code texts

Alarms and warnings from connected devices, GENIpro device events, are normally sent as STATUS1 messages to all phone numbers in the phone number list. The messages contains the standard English text description that belongs to the event code in question. See page 32.

You can configure your own text description for up to 10 different event codes. You do it one at a time with the cellular module configuration command:

SETCODETEXT <event code> <name>

You change the code texts one at a time by repeating the command.

If you leave out the <name> argument, you reset the code of the text to the original description. If you leave out both arguments, you will reset all code texts to the original description. Below you find the possible combinations and their acknowledgements:

Command	SETCODETEXT <event code> <name>	
Positive acknowledgement	SETCODETEXT: Text for event code <event code> changed to: <name>	
Negative acknowledgement	SETCODETEXT: Illegal command parameter	If the syntax of a parameter is illegal.

Command	SETCODETEXT <event code> <"empty">	
Positive acknowledgement	SETCODETEXT: Text for event code <event code> reset to factory text	
Negative acknowledgement	SETCODETEXT: Illegal command parameter	If the syntax of a parameter is illegal.

Command	SETCODETEXT <"empty"> <"empty">	
Positive acknowledgement	SETCODETEXT: Text for all event codes reset to factory text	
Negative acknowledgement	- None -	

You can have maximum 10 user-defined event code texts. If the maximum number of texts is exceeded, the negative acknowledgement will appear:

SETCODETEXT: Limit of max. 10 user-defined event code texts is reached

GETCODETEXT <event code>

Use the GETCODETEXT to read the text descriptions in an event code. Below you find the possible acknowledgements:

GETCODETEXT: Text for event code <event code>: <name> (factory text).

<name> is the description you have configured.

The parenthesis (factory text) is added if the text is the factory-set default text.

GETCODETEXT: Text for event code <event code>: <name> (user-defined text)

<name> is the description you have configured.

The parenthesis (user-defined text) is added if the text is defined by the user.

GETCODETEXT: Event code <event code> is unknown.

If the specified <event code> is unknown to the CIM 260 module. Self-triggered IO event messages machine to machine interfacing

You can use the self-triggered IO event messages as control/status commands to control or monitor another controller. In that case another text format, which is totally configurable, is needed instead of the relatively inflexible and human oriented text format explained in the previous chapter.

Below is each IO event listed with the particular command that defines the event text for it.

Signal	Event	Command to define event text	Default
AI1	Above monitor level	AI1HIGH <name "empty">	Empty
	Below monitor level	AI1LOW <name "empty">	Empty
AI2	Above monitor level	AI2HIGH <name "empty">	Empty
	Below monitor level	AI2LOW <name "empty">	Empty
TI1	Above monitor level	TI1HIGH <name "empty">	Empty
	Below monitor level	TI1LOW <name "empty">	Empty
DI1	Opened	DI1HIGH <name "empty">	Empty
	Closed	DI1LOW <name "empty">	Empty
DI2	Opened	DI2HIGH <name "empty">	Empty
	Closed	DI2LOW <name "empty">	Empty
DI3	Opened	DI3HIGH <name "empty">	Empty
	Closed	DI3LOW <name "empty">	Empty
DI4	Opened	DI4HIGH <name "empty">	Empty
	Closed	DI4LOW <name "empty">	Empty

An acknowledgment SMS is replied to the phone. This is shown below for command AI1HIGH.

Positive acknowledgement (changed naming)	AI1HIGH: New event text defined <name>
Positive acknowledgement (reset to "empty")	AI1HIGH: User defined event text cleared
Negative acknowledgement	AI1HIGH: Illegal event text format See symbolic parameters, section 2.1 CIU 261.
Negative acknowledgement if used as DI1	AI1HIGH: AI1 not available

A negative acknowledgement appears if the command parameter is missing or has a syntax error or if the signal is not available.

Whenever an IO event text is defined for a particular IO, the name it is associated with will not be used in SMS messages but is still preserved. Instead the event text will be used. See 7.2 Configuration of IO 270 signal names.

An example illustrates this for AI1.

AI1NAME Water level	Gives AI1 the name "Water level"
AI1SCALE 0 10 m	Scales "Water level" (AI1) to [0; 10] m
SETAI1LEVEL 5	Sets the "Water level" (AI1) monitor level to 5 m

With this setting IO event messages triggered by AI1 are:

AI1, Water level: -> High

AI1, Water level: -> Low

Now defining event texts for these events:

AI1HIGH STOP

AI1LOW START

With this setting IO event messages triggered by AI1 is substituted by the event texts:

START For "Water level" (AI1) going low

STOP For "Water level" (AI1) going high

Clearing the event texts makes the standard, human oriented, messages active again.

Only those IO events that have a defined event text will use this event text. The rest uses the standard format.

GETEVENTTEXTS

Status command to display the event texts of AI1, AI2, TI1 and DI1 to DI4.

Below is an example of a reply:

[Installation name]	Explanation
AI1HIGH: Level alarm	<i>[-] if used as DI1</i>
AI1LOW: Level ok	<i>[-] if used as DI2</i>
AI2HIGH: Overflow alarm	
AI2LOW: Overflow ok	
TI1HIGH: -	<i>No event text defined</i>
TI1LOW: -	<i>No event text defined</i>
DI1HIGH: P1 alarm	<i>[-] if used for AI1</i>
DI1LOW: P1 ok	<i>[-] if used for AI1</i>
DI2HIGH: P2 alarm	<i>[-] if used for AI2</i>
DI2LOW: P2 ok	<i>[-] if used for AI2</i>
DI1HIGH: P3 alarm	
DI1LOW: P3 ok	
DI2HIGH: P4 alarm	
DI2LOW: P4 ok	

8. Overview of commands

8.1 Configuration commands for CIM 260

Command	Description	Default setting
Basic configuration		
INIT <access code>	Initialisation of CIM 260	-
ROAMING <ON OFF>	Enabling/disabling of roaming	ON
Monitoring and control via SMS		
ACCESS <LIST CODE BOTH NONE>	Change of access option	BOTH
STATUSPROTECT <ON OFF>	Setting of status protection	OFF
CODE <access code>	Change of access code	-
ADDNUMBER [phone number]	Adding a phone number	-
DELNUMBER [phone number ALL]	Deleting a phone number	-
NAME <installation name>	Selection of installation name	-
HEARTBEAT <hour of day>, <day of week>, <day of week>	Setting of heartbeat value	OFF
TIME <year>, <month>, <day>, <hour>, <minute>	Setting of time	-
SMSALARM <ON OFF>	Setting of SMS alarms	ON
SMSWARN <ON OFF>	Setting of SMS warnings	ON
SMSLIMIT <ON OFF>	Setting of event message limit	ON
CONNECTIONALARM <ON OFF>	Setting of product connection alarm	ON
SETCODETEXT <event code> <text>	Setting of user-defined code texts	Default texts
Call-up connection		
SETSCADACODE <access code>	Setting of SCADA access code	-
SCADACODE <ON OFF>	Setting of SCADA access code	OFF
MODBUSADDR <1-247>	Setting of Modbus address	231
Data connection		
APN <APN string>	Setting of APN	-
USERNAME <alpha numeric string>	Setting of APN login user name	-
PASSWORD <alpha numeric string>	Setting of APN login password	-
AUTHENTICATION <NORMAL SECURE>	Setting of APN authentication	NORMAL
CONNECTION <SERVER CLIENT DISABLED>	Setting of connection mode	SERVER
DATAROAMING <ON OFF>	Setting of data roaming	OFF
MODBUSPORT <port number>	Setting of Modbus port number	502
GENIPROPORT <port number>	Setting of GENIpro port number	49152
SERVER <APN string IP address>	Setting of subsystem server	-
SETAPN <APN>, <Modbus port>, <GENIpro port number>, <user name>, <password>, <authentication>, <connection>, <Data roaming>, <data silence>	Complete setting of APN connection	-

8.2 Status commands for CIM 260

Command	Description
Basic status	
SMSSETTINGS	Status of basic configuration
LIST	Phone number list
SIGNALLEVEL	Cellular network signal level
VERSION	Version information
BATTERY	Battery status
NETWORK	Cellular network status
SMSCOUNT	Call-up and SMS statistics
GETCODETEXT <event code>	Reading the user-defined event code text
APN status	
APNSETTINGS	APN connection settings
APNSTATUS	APN connection status
APNDATA	Modbus TCP status
SCADA status	
SCADA	SCADA settings

8.3 Control commands for CIM 260

Command	Description
RESETCOUNT	Resetting of call-up and SMS counters
RESTARTAPN	Restarting the APN connection

8.4 Status commands for the product

Command	Description
STATUS1	Primary status of the Grundfos product
STATUS2	Secondary status of the Grundfos product

8.5 Control commands for the product

Command	Description
RESETALARM	Resetting of alarms and warnings
REMOTE	Setting to remote control
LOCAL	Setting to local control
START or NORMAL	Setting to operating mode "Start"
STOP	Setting to operating mode "Stop"
MIN	Setting to operating mode "Min."
MAX	Setting to operating mode "Max."
SETPOINT <value>	Setting of setpoint
CONSTCURVE	Setting to control mode "Constant curve"
CONSTPRESS	Setting to control mode "Constant pressure"
PROPPRESS	Setting to control mode "Proportional pressure"
AUTO_{ADAPT}	Setting to control mode "AUTO _{ADAPT} "
CONSTTEMP	Setting to control mode "Constant Temperature"
FLOWADAPT	Setting to control mode "FLOW _{ADAPT} "
CLSSENSOR	Setting to control mode "Closed loop sensor"
CONSTFLOW	Setting to control mode "Constant flow"
CONSTLEVEL	Setting to control mode "Constant level"
CONSTDIFFPRESS	Setting to control mode "Constant differential pressure"
CONSTDIFFTEMP	Setting to control mode "Constant differential temperature"
ALARMSIM <code>	Simulation of alarm with event code
WARNSIM <code>	Simulation of warning with event code

8.6 IO 270-related configuration commands

Configuration		
Command	Description	Default setting
AI1NAME <text>	Naming of analog input 1 (AI1)	Empty
AI2NAME <text>	Naming of analog input 2 (AI2)	Empty
TI1NAME <text>	Naming of temperature input (TI1)	Empty
DI1NAME <text>	Naming of digital input 1 (DI1)	Empty
DI2NAME <text>	Naming of digital input 2 (DI2)	Empty
DI3NAME <text>	Naming of digital input 3 (DI3)	Empty
DI4NAME <text>	Naming of digital input 4 (DI4)	Empty
AO1NAME <text>	Naming of analog output (AO1)	Empty
DO1NAME <text>	Naming of relay output (DO1)	Empty
AI1SCALE [<value> <value> <alpha string>]	Scaling of analog input 1 (AI1)	[0; 100] %
AI2SCALE [<value> <value> <alpha string>]	Scaling of analog input 2 (AI2)	[0; 100] %
AO1SCALE [<value> <value> <alpha string>]	Scaling of analog output (AO1)	[0; 100] %
IOSMS <ON OFF>	Enable/disable self-triggered IO event messages	OFF
SETAI1LEVEL <value>	Monitor level for analog input 1 (AI1)	100 %
SETAI2LEVEL <value>	Monitor level for analog input 2 (AI2)	100 %
SETTI1LEVEL <value>	Monitor level for temperature input 1 (TI1)	100 %
AI1HIGH <name "empty">	AI1 → above monitor level	Empty
AI1LOW <name "empty">	AI1 → below monitor level	Empty
AI2HIGH <name "empty">	AI2 → above monitor level	Empty
AI2LOW <name "empty">	AI2 → below monitor level	Empty
TI1HIGH <name "empty">	TI1 → above monitor level	Empty
TI1LOW <name "empty">	TI1 → below monitor level	Empty
DI1HIGH <name "empty">	DI1 → High	Empty
DI1LOW <name "empty">	DI1 → Low	Empty
DI2HIGH <name "empty">	DI2 → High	Empty
DI2LOW <name "empty">	DI2 → Low	Empty
DI3HIGH <name "empty">	DI3 → High	Empty
DI3LOW <name "empty">	DI3 → Low	Empty
DI4HIGH <name "empty">	DI4 → High	Empty
DI4LOW <name "empty">	DI4 → Low	Empty
MAINSOFF <name "empty">	No mains supply, using battery	Empty
MAINSRET <name "empty">	Mains supply returned	Empty

8.7 IO 270-related status commands

Status	
Command	Description
IOSTATUS	Status of values measured by IO 270
IOSCALING	Status of the IO 270 analog signal scaling
GETLEVELS	Displaying monitor values of AI1, AI2 and TI1

8.8 IO 270-related control commands

Control	
Command	Description
ANALOGOUT <value>	Setting the value of analog output AO1
RELAYOUT <ON OFF>	Operating the value of relay output DO1

Argentina

Bombas GRUNDFOS de Argentina S.A.
Ruta Panamericana km. 37.500 Centro
Industrial Garin
1619 Garin Pcia. de B.A.
Phone: +54-3327 414 444
Telefax: +54-3327 45 3190

Australia

GRUNDFOS Pumps Pty. Ltd.
P.O. Box 2040
Regency Park
South Australia 5942
Phone: +61-8-8461-4611
Telefax: +61-8-8340 0155

Austria

GRUNDFOS Pumpen Vertrieb
Ges.m.b.H.
Grundfosstraße 2
A-5082 Grödig/Salzburg
Tel.: +43-6246-883-0
Telefax: +43-6246-883-30

Belgium

N.V. GRUNDFOS Bellux S.A.
Boomsesteenweg 81-83
B-2630 Aartselaar
Tél.: +32-3-870 7300
Télécopie: +32-3-870 7301

Belarus

Представительство ГРУНДФОС в
Минске
220125, Минск
ул. Шафарнянская, 11, оф. 56, БЦ
«Порт»
Тел.: +7 (375 17) 286 39 72/73
Факс: +7 (375 17) 286 39 71
E-mail: minsk@grundfos.com

Bosnia and Herzegovina

GRUNDFOS Sarajevo
Zmaj od Bosne 7-7A,
BH-71000 Sarajevo
Phone: +387 33 592 480
Telefax: +387 33 590 465
www.ba.grundfos.com
e-mail: grundfos@bih.net.ba

Brazil

BOMBAS GRUNDFOS DO BRASIL
Av. Humberto de Alencar Castelo
Branco, 630
CEP 09850 - 300
São Bernardo do Campo - SP
Phone: +55-11 4393 5533
Telefax: +55-11 4343 5015

Bulgaria

Grundfos Bulgaria EOOD
Slatina District
Iztochna Tangenta street no. 100
BG - 1592 Sofia
Tel. +359 2 49 22 200
Fax. +359 2 49 22 201
email: bulgaria@grundfos.bg

Canada

GRUNDFOS Canada Inc.
2941 Brighton Road
Oakville, Ontario
L6H 6C9
Phone: +1-905 829 9533
Telefax: +1-905 829 9512

China

GRUNDFOS Pumps (Shanghai) Co. Ltd.
10F The Hub, No. 33 Suhong Road
Minhang District
Shanghai 201106
PRC
Phone: +86 21 612 252 22
Telefax: +86 21 612 253 33

COLOMBIA

GRUNDFOS Colombia S.A.S.
Km 1.5 vía Siberia-Cota Conj. Potrero
Chico,
Parque Empresarial Arcos de Cota Bod.
1A.
Cota, Cundinamarca
Phone: +57(1)-2913444
Telefax: +57(1)-8764586

Croatia

GRUNDFOS CROATIA d.o.o.
Buzinski prilaz 38, Buzin
HR-10010 Zagreb
Phone: +385 1 6595 400
Telefax: +385 1 6595 499
www.hr.grundfos.com

GRUNDFOS Sales Czechia and Slovakia s.r.o.

Čajkovského 21
779 00 Olomouc
Phone: +420-585-716 111

Denmark

GRUNDFOS DK A/S
Martin Bachs Vej 3
DK-8850 Bjerringbro
Tlf.: +45-87 50 50 50
Telefax: +45-87 50 51 51
E-mail: info_GDK@grundfos.com
www.grundfos.com/DK

Estonia

GRUNDFOS Pumps Eesti OÜ
Peterburi tee 92G
11415 Tallinn
Tel: + 372 606 1690
Fax: + 372 606 1691

Finland

OY GRUNDFOS Pumput AB
Trukkikuja 1
FI-01360 Vantaa
Phone: +358-(0) 207 889 500

France

Pompes GRUNDFOS Distribution S.A.
Parc d'Activités de Chesnes
57, rue de Malacombe
F-38290 St. Quentin Fallavier (Lyon)
Tél.: +33-4 74 82 15 15
Télécopie: +33-4 74 94 10 51

Germany

GRUNDFOS GMBH
Schlüterstr. 33
40699 Erkrath
Tel.: +49-(0) 211 929 69-0
Telefax: +49-(0) 211 929 69-3799
e-mail: infoservice@grundfos.de
Service in Deutschland:
e-mail: kundendienst@grundfos.de

Greece

GRUNDFOS Hellas A.E.B.E.
20th km. Athinon-Markopoulou Av.
P.O. Box 71
GR-19002 Peania
Phone: +0030-210-66 83 400
Telefax: +0030-210-66 46 273

Hong Kong

GRUNDFOS Pumps (Hong Kong) Ltd.
Unit 1, Ground floor
Siu Wai Industrial Centre
29-33 Wing Hong Street &
68 King Lam Street, Cheung Sha Wan
Kowloon
Phone: +852-27861706 / 27861741
Telefax: +852-27858664

Hungary

GRUNDFOS Hungária Kft.
Tópark u. 8
H-2045 Törökbálint,
Phone: +36-23 511 110
Telefax: +36-23 511 111

India

GRUNDFOS Pumps India Private
Limited
118 Old Mahabalipuram Road
Thoraiakkam
Chennai 600 096
Phone: +91-44 2496 6800

Indonesia

PT. GRUNDFOS POMPA
Graha Intirub Lt. 2 & 3
Jln. Cililitan Besar No.454. Makasar,
Jakarta Timur
ID-Jakarta 13650
Phone: +62 21-469-51900
Telefax: +62 21-460 6910 / 460 6901

Ireland

GRUNDFOS (Ireland) Ltd.
Unit A, Merrywell Business Park
Ballymount Road Lower
Dublin 12
Phone: +353-1-4089 800
Telefax: +353-1-4089 830

Italy

GRUNDFOS Pompe Italia S.r.l.
Via Gran Sasso 4
I-20060 Truccazzano (Milano)
Tel.: +39-02-95838112
Telefax: +39-02-95309290 / 95838461

Japan

GRUNDFOS Pumps K.K.
1-2-3, Shin-Miyakoda, Kita-ku,
Hamamatsu
431-2103 Japan
Phone: +81 53 428 4760
Telefax: +81 53 428 5005

Korea

GRUNDFOS Pumps Korea Ltd.
6th Floor, Aju Building 679-5
Yeoksam-dong, Kangnam-ku, 135-916
Seoul, Korea
Phone: +82-2-5317 600
Telefax: +82-2-5633 725

Latvia

SIA GRUNDFOS Pumps Latvia
Deglava biznesa centrs
Augusta Deglava iela 60, LV-1035, Rīga,
Tālr.: + 371 714 9640, 7 149 641
Faks: + 371 914 9646

Lithuania

GRUNDFOS Pumps UAB
Smolensko g. 6
LT-03201 Vilnius
Tel: + 370 52 395 430
Fax: + 370 52 395 431

Malaysia

GRUNDFOS Pumps Sdn. Bhd.
7 Jalan Peguam U1/25
Glenmarie Industrial Park
40150 Shah Alam
Selangor
Phone: +60-3-5569 2922
Telefax: +60-3-5569 2866

Mexico

Bombas GRUNDFOS de México S.A. de
C.V.
Boulevard TLC No. 15
Parque Industrial Stiva Aeropuerto
Apodaca, N.L. 66600
Phone: +52-81-8144 4000
Telefax: +52-81-8144 4010

Netherlands

GRUNDFOS Netherlands
Veluwezoom 35
1326 AE Almere
Postbus 22015
1302 CA ALMERE
Tel.: +31-88-478 6336
Telefax: +31-88-478 6332
E-mail: info_gnl@grundfos.com

New Zealand

GRUNDFOS Pumps NZ Ltd.
17 Beatrice Tinsley Crescent
North Harbour Industrial Estate
Albany, Auckland
Phone: +64-9-415 3240
Telefax: +64-9-415 3250

Norway

GRUNDFOS Pumper A/S
Strømsveien 344
Postboks 235, Leirdal
N-1011 Oslo
Tlf.: +47-22 90 47 00
Telefax: +47-22 32 21 50

Poland

GRUNDFOS Pompy Sp. z o.o.
ul. Klonowa 23
Baranowo k. Poznania
PL-62-081 Przeźmierowo
Tel: (+48-61) 650 13 00
Fax: (+48-61) 650 13 50

Portugal

Bombas GRUNDFOS Portugal, S.A.
Rua Calvet de Magalhães, 241
Apartado 1079
P-2770-153 Paço de Arcos
Tel.: +351-21-440 76 00
Telefax: +351-21-440 76 90

Romania

GRUNDFOS Pompe România SRL
Bd. Biruintei, nr 103
Pantelimon county Ilfov
Phone: +40 21 200 4100
Telefax: +40 21 200 4101
E-mail: romania@grundfos.ro

Russia

ООО Грундфос Россия
ул. Школьная, 39-41
Москва, RU-109544, Russia
Тел. (+7) 495 564-88-00 (495) 737-30-00
Факс (+7) 495 564 8811
E-mail grundfos.moscow@grundfos.com

Serbia

Grundfos Srbija d.o.o.
Omladinskih brigada 90b
11070 Novi Beograd
Phone: +381 11 2258 740
Telefax: +381 11 2281 769
www.rs.grundfos.com

Singapore

GRUNDFOS (Singapore) Pte. Ltd.
25 Jalan Tukang
Singapore 619264
Phone: +65-6681 9688
Telefax: +65-6681 9689

Slovakia

GRUNDFOS s.r.o.
Prievozská 4D
821 09 BRATISLAVA
Phona: +421 2 5020 1426
sk.grundfos.com

Slovenia

GRUNDFOS LJUBLJANA, d.o.o.
Leskovoška 9e, 1122 Ljubljana
Phone: +386 (0) 1 568 06 10
Telefax: +386 (0)1 568 06 19
E-mail: tehnika-si@grundfos.com

South Africa

GRUNDFOS (PTY) LTD
Corner Mountjoy and George Allen
Roads
Wilbart Ext. 2
Bedfordview 2008
Phone: (+27) 11 579 4800
Fax: (+27) 11 455 6066
E-mail: lsmart@grundfos.com

Spain

Bombas GRUNDFOS España S.A.
Camino de la Fuentequilla, s/n
E-28110 Algete (Madrid)
Tel.: +34-91-848 8800
Telefax: +34-91-628 0465

Sweden

GRUNDFOS AB
Box 333 (Lunnagårdsgatan 6)
431 24 Mölndal
Tel.: +46 31 332 23 000
Telefax: +46 31 331 94 60

Switzerland

GRUNDFOS Pumpen AG
Bruggacherstrasse 10
CH-8117 Fällanden/ZH
Tel.: +41-44-806 8111
Telefax: +41-44-806 8115

Taiwan

GRUNDFOS Pumps (Taiwan) Ltd.
7 Floor, 219 Min-Chuan Road
Taichung, Taiwan, R.O.C.
Phone: +886-4-2305 0868
Telefax: +886-4-2305 0878

Thailand

GRUNDFOS (Thailand) Ltd.
92 Chaloeun Phrakiat Rama 9 Road,
Dokmai, Pravej, Bangkok 10250
Phone: +66-2-725 8999
Telefax: +66-2-725 8998

Turkey

GRUNDFOS POMPA San. ve Tic. Ltd.
Sti.
Gebze Organize Sanayi Bölgesi
İhsan dede Caddesi,
2. yol 200. Sokak No. 204
41490 Gebze/ Kocaeli
Phone: +90 - 262-679 7979
Telefax: +90 - 262-679 7905
E-mail: satis@grundfos.com

Ukraine

Бізнес Центр Європа
Столичне шосе, 103
м. Київ, 03131, Україна
Телефон: (+38 044) 237 04 00
Факс.: (+38 044) 237 04 01
E-mail: ukraine@grundfos.com

United Arab Emirates

GRUNDFOS Gulf Distribution
P.O. Box 16768
Jebel Ali Free Zone
Dubai
Phone: +971 4 8815 166
Telefax: +971 4 8815 136

United Kingdom

GRUNDFOS Pumps Ltd.
Grovebury Road
Leighton Buzzard/Beds. LU7 4TL
Phone: +44-1525-850000
Telefax: +44-1525-850011

U.S.A.

GRUNDFOS Pumps Corporation
9300 Loiret Blvd.
Lenexa, Kansas 66219
Phone: +1-913-227-3400
Telefax: +1-913-227-3500

Uzbekistan

Grundfos Tashkent, Uzbekistan The Rep-
resentative Office of Grundfos Kazakhstan
in Uzbekistan
38a, Oybek street, Tashkent
Телефон: (+998) 71 150 3290 / 71 150
3291
Факс: (+998) 71 150 3292

Addresses Revised 14.03.2018

be think innovate

99506753 1018

ECM: 1242691

The name Grundfos, the Grundfos logo, and **be think innovate** are registered trademarks owned by Grundfos Holding A/S or Grundfos A/S, Denmark. All rights reserved worldwide.
© Copyright Grundfos Holding A/S

www.grundfos.com

GRUNDFOS 

Pumpland.ru