

16. CR CRT

CRT 2

50/60 Hz, All models before 0336 (yyww)

Chamber stack complete

Pos.	Consists of items: 5a, 67, 64c, 49, 47a, 4a, 64a, 4, 64, 61, 51, 50a, 67a, 3, 69		Kit No
	Number of stages		
80	2		405553
	3		405554
	4		405555
	5		405556
	6		405557
	7		405558
	8		405559
	9		405560
	10		405561
	11		405562
	12		405563
	13		405564
	15		405565
	18		405566
22		405567	
26		405568	

Coupling complete

Pos.	Kit No	415060	415061	415062	415063	415314	415315
	Motor/pump shaft diameter [mm]	14/12	19/12	24/12	28/12	15.8/12	28.5/12
Description						NEMA	NEMA
10a	Coupling half	2	2	2	2	2	2
9	Screw	4	4	4	4	4	4
10	Pin	1	1	1	1	1	1

Shaft seal

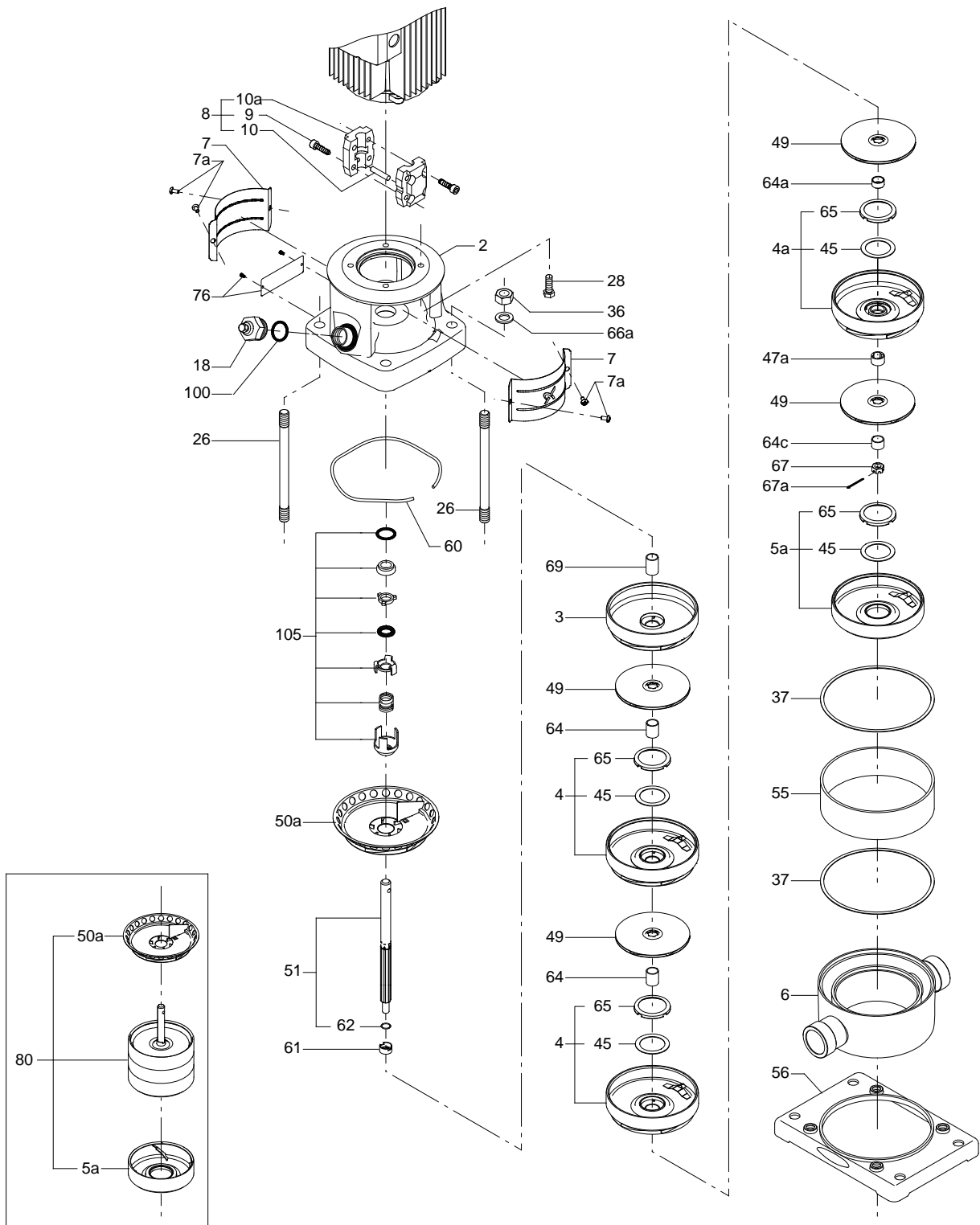
Pos.	Kit No	405346	405349
	Description	AUUE	AUUV
37	Sleeve gasket	2	2
105	Shaft seal	1	1

Wear parts

Pos.	Kit No	96434799	96434800	96434801
	Number of stages	2-10	11-18	22-26
Description				
4a	Bearing chamber	1	2	3
37	Sleeve gasket	2	2	2
45	Neck ring	9	16	23
47a	Bearing ring	1	2	3
61	Spacer for shaft seal	1	1	1
64a	Spacer ring	2	-	-
65	Neck ring retainer	9	16	23
64c	Spacer	1	1	1
67	Lock nut	1	1	1
67a	Split pin	1	1	1
100	O-ring	1	1	1

CRT 2, All models before 0336 (yyww)

CRT 2 CR CRT



TM02 4580 1202

50/60 Hz, All models after 0335 (yyww)**Chamber stack complete**

Pos.	Consists of items: 4, 4a, 47a, 49, 50a, 51, 61, 64, 64a, 64c, 67, 67a	Kit No
	Number of stages	
	2	96611188
	3	96611189
	4	96611190
	5	96611191
	6	96611192
	7	96611193
80	9	96611194
	11	96611195
	13	96611196
	15	96611197
	18	96611198
	22	96611199
	26	96611200

Coupling complete

Pos.	Kit No	415060	415061	415062	415063	415314	415315
	Motor/pump shaft diameter [mm]	14/12	19/12	24/12	28/12	15.8/12	28.5/12
	Description					NEMA	NEMA
10a	Coupling half	2	2	2	2	2	2
9	Screw	4	4	4	4	4	4
10	Pin	1	1	1	1	1	1

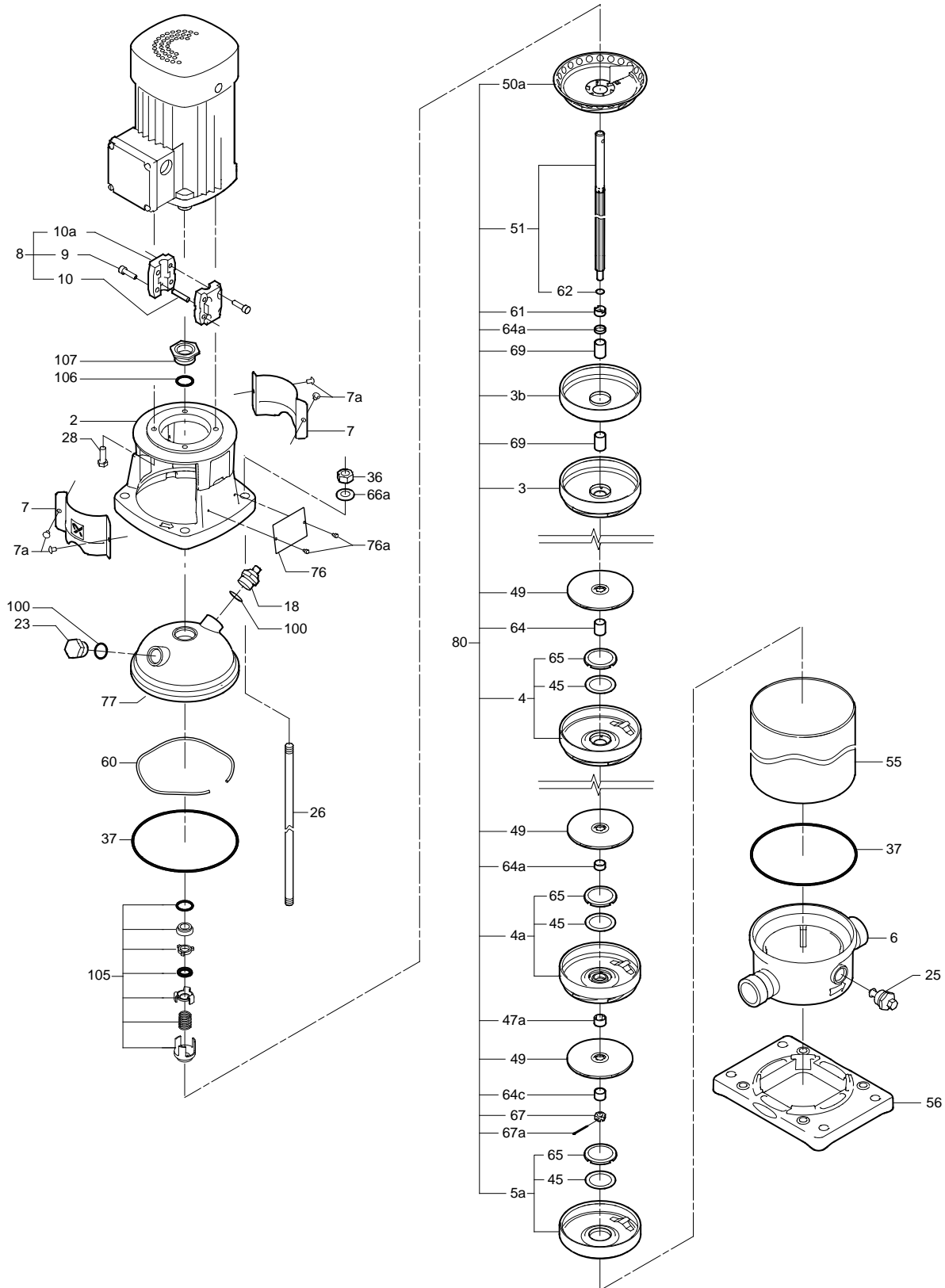
Shaft seal

Pos.	Kit No	96513598	96513599	97788160	98073060
	Description	AUUE	AUUV	AQQV	AQQK
37	O-ring	2	2	2	-
105	Shaft seal	1	1	1	1

Wear parts

Pos.	Number of stages	2-9	11-18	22-26
	Description/Kit No	96513600	96513601	96513602
4a	Bearing chamber	1	2	3
37	O-ring	2	2	2
45	Neck ring	9	16	23
47a	Bearing ring	1	2	3
61	Spacer for shaft seal	1	1	1
65	Neck ring retainer	9	16	23
64c	Spacer	1	1	1
67	Lock nut	1	1	1
67a	Split pin	1	1	1
100	O-ring	2	2	2

CRT 2, All models after 0335 (yyww)



TM02 7207 2803

CRT 4**50/60 Hz, All models before 0336 (yyww)****Chamber stack complete**

Pos.	Consists of items: 3, 4, 4a, 5a, 47a, 49, 50a, 51, 61, 64, 64a, 64c, 66b, 67, 67a, 69		Kit No
	Number of stages		
	1		415523
	2		415524
	3		415525
	4		415526
	5		415527
	6		415528
80	7		415529
	8		415530
	10		415531
	12		415532
	14		415533
	16		415534
	19		415535
	22		415536

Coupling complete

Pos.	Kit No	415060	415061	415062	415063	415065	415314	415315	
	Motor/pump shaft diameter [mm]	14/12	19/12	24/12	28/12	38/12	15.8/12	28.5/12	
Description								NEMA	NEMA
9	Screw	4	4	4	4	4	4	4	
10	Pin	1	1	1	1	1	1	1	
10a	Coupling half	2	2	2	2	2	2	2	

Shaft seal

Pos.	Kit No	405346	405349
	Description	AUUE	AUUV
37	Sleeve gasket	2	2
105	Shaft seal	1	1

Wear parts

Pos.	Kit No	96434802	96434803	96434804	96434805
	Number of stages	1-6	7-12	14-16	19-22
Description					
4a	Bearing chamber	1	2	3	4
37	Sleeve gasket	2	2	2	2
45	Neck ring	5	10	13	18
47a	Bearing ring	1	2	3	4
61	Spacer for shaft seal	1	1	1	1
64c	Spacer	1	1	1	1
65	Neck ring retainer	5	10	13	18
67	Lock nut	1	1	1	1
67a	Split pin	1	1	1	1
100	O-ring	1	1	1	1

All models after 0335 (yyww)**Chamber stack complete**

Pos.	Consists of items: 3, 4, 4a, 26a, 26c, 44a, 44b, 47a, 49, 51, 61, 64, 64a, 64c, 64d, 67, 67a, 69		Kit No
	Number of stages		
	1		96611201
	2		96611202
	3		96611203
	4		96611204
	5		96611205
	6		96611206
80	7		96611208
	8		96611209
	10		96611210
	12		96611212
	14		96611213
	16		96611215
	19		96611216
	22		96611217

Coupling complete

Pos.	Kit No	415060	415061	415062	415063	415065	415314	415315	
	Motor/pump shaft diameter [mm]	14/12	19/12	24/12	28/12	38/12	15.8/12	28.5/12	
	Description							NEMA	NEMA
9	Screw	4	4	4	4	4	4	4	
10	Pin	1	1	1	1	1	1	1	
10a	Coupling half	2	2	2	2	2	2	2	

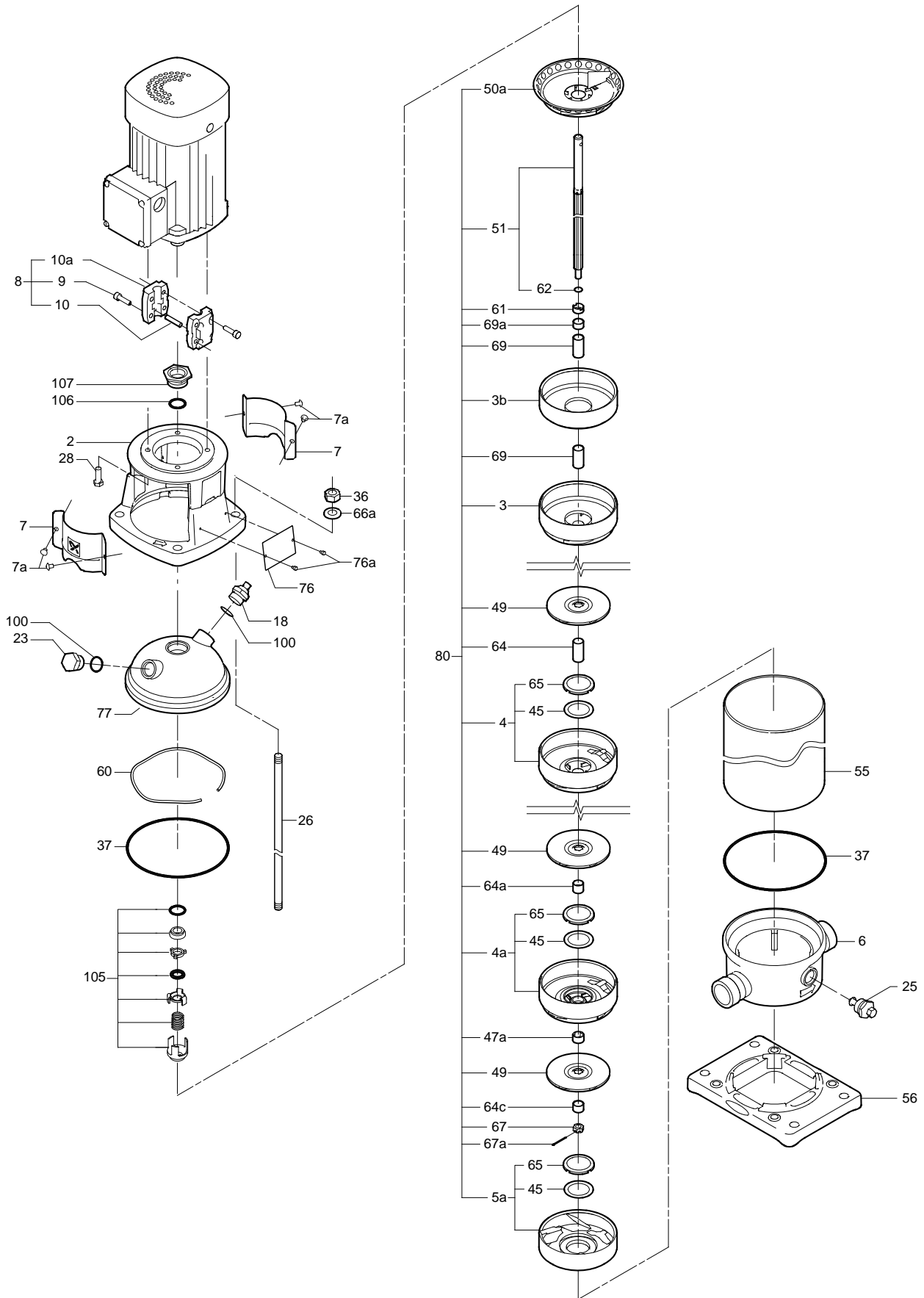
Shaft seal

Pos.	Kit No	96513598	96513599	97788160	98073060
	Description	AUUE	AUVV	AQQV	AQQK
37	O-ring	2	2	2	2
105	Shaft seal	1	1	1	1

Wear parts

Pos.	Kit No	96513603	96513604	96513605	96513606
	Number of stages	1-6	7-12	14-16	19-22
	Description				
4a	Bearing chamber	1	2	3	4
37	O-ring	2	2	2	2
45	Neck ring	4	10	13	18
47a	Bearing ring	1	2	3	4
61	Spacer for shaft seal	1	1	1	1
64c	Spacer	1	1	1	1
65	Neck ring retainer	4	10	13	18
67	Lock nut	1	1	1	1
67a	Split pin	1	1	1	1
100	O-ring	2	2	2	2

CRT 4, All models after 0335 (yyww)



TM02 7833 4303

CRT 8**50/60 Hz, All models before 0405 (yyww)****Chamber stack complete**

Pos.	Consists of items: 3, 3a, 4, 4a, 44, 47a, 49, 51, 61, 64, 64a, 64c, 64d, 67, 67a, 69		Kit No
	Number of stages		
80		1	425936
		2	425937
		3	425938
		4	425939
		5	425940
		6	425941
		8	425942
		10	425943
		12	425944
		14	425945
		16	425946
		18	425947
	20	425948	

Coupling complete

Pos.	Kit No	Motor/pump shaft diameter [mm]	339114	339119	339124	339128	339138	339142	425260	425261	425262	425263	
			14/16	19/16	24/16	28/16	38/16	42/16	15.9/16	28.6/16	34.9/16	41.3/16	
Description								NEMA		NEMA		NEMA	
9	Screw	4	4	4	4	4	4	4	4	4	4	4	4
10	Pin	1	1	1	1	1	1	1	1	1	1	1	1
10a	Coupling half	2	2	2	2	2	2	2	2	2	2	2	2

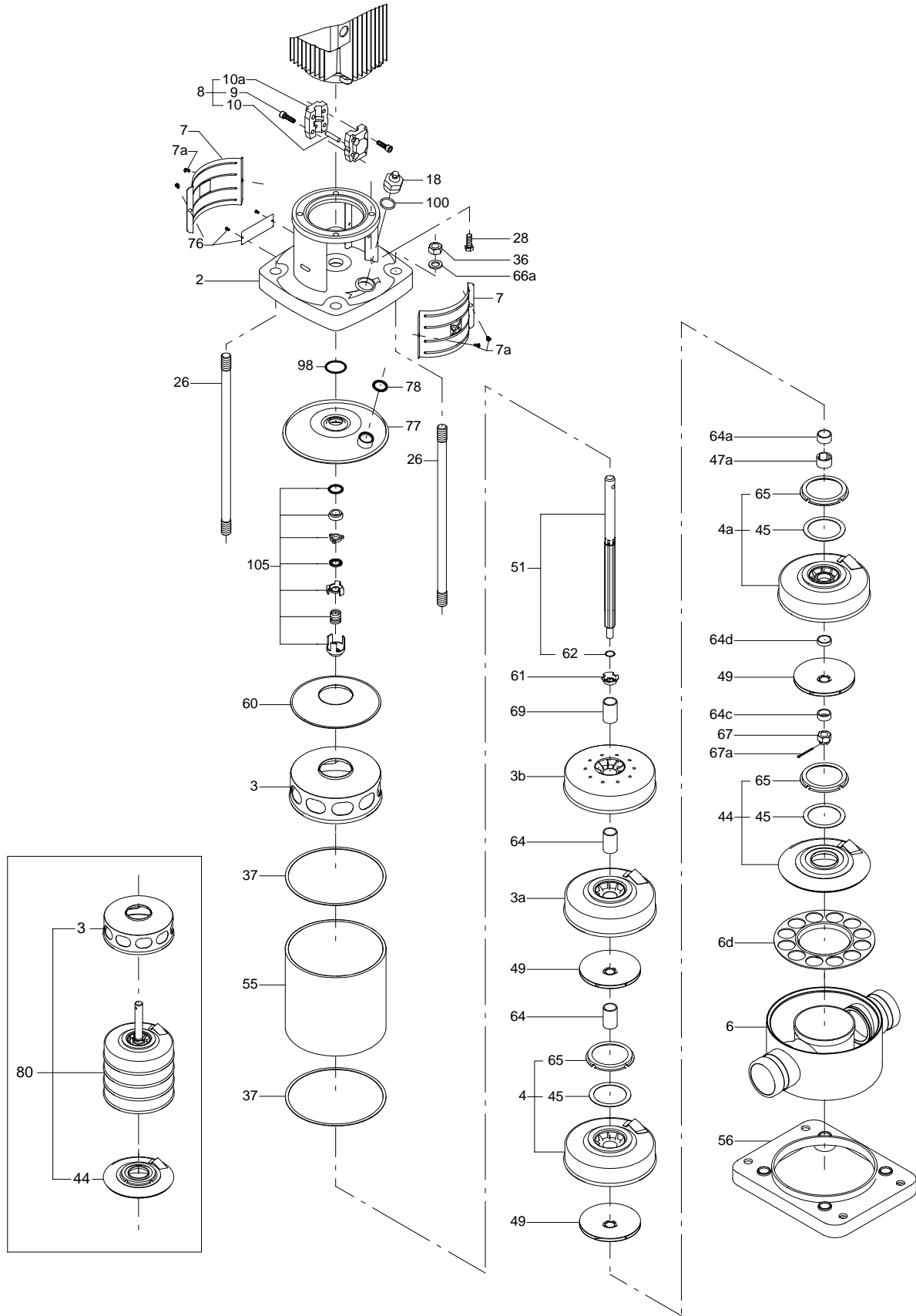
Shaft seal

Pos.	Kit No	425303	425304
		AUUE	AUUV
37	Sleeve gasket	2	2
78	O-ring	1	1
98	O-ring	1	1
105	Shaft seal	1	1

Wear parts

Pos.	Kit No	96434806	96434807	96434808	
		1-8	10-14	16-20	
Description					
4a	Bearing chamber	1	2	3	
37	Sleeve gasket	2	2	2	
45	Neck ring	7	12	17	
47a	Bearing ring	1	2	3	
61	Spacer for shaft seal	1	1	1	
64c	Spacer	1	1	1	
65	Neck ring retainer	7	12	17	
67	Lock nut	1	1	1	
67a	Split pin	1	1	1	
78	O-ring	1	1	1	
98	O-ring	1	1	1	
100	O-ring	1	1	1	

CRT 8, All models before 0405 (yyww)



TM02 4599 1302

50/60 Hz, All models after 0404 (yyww)

Chamber stack complete

Pos.	Consists of items: 3, 4, 4a, 26a, 26b, 26c, 44a, 44b, 47a, 49, 51, 61, 64, 64a, 64c, 64d, 67, 67a, 69		Kit No
	Number of stages		
80	1		96611218
	2		96611219
	3		96611220
	4		96611221
	5		96611222
	6		96611223
	8		96611224
	10		96611225
	12		96611226
	14		96611227
	17		96611228
	18		96611229
20		96611230	

O-ring

Pos.	Kit No		96545210
	Description		
37	O-ring	∅170.7 x 3.3	2
38	O-ring	∅16.3 x 2.4	1
38a	O-ring	∅5.3 x 2.4	1
60	Spring, PTFE		4
100	O-ring	∅16.3 x 2.4	2
106	O-ring	∅27.5 x 2.75	1

Coupling complete

Pos.	Motor type	MG 71	MG 80	MG 90	MG 100/112	MG 132 (short)	MG 132	MG 160 (short)	MG 160	
		Motor/pump shaft diameter [mm]	14/16	19/16	24/16	28/16	38/16	38/16	42/16	42/16
		Description/Kit No	339114	339119	339124	339128	96492112	96491088	96492113	96491089
9	Screw	4	4	4	4	4	4	4	4	
10	Pin	1	1	1	1	1	1	1	1	
10a	Coupling half	2	2	2	2	2	2	2	2	

Pos.	Motor type	56C	182TC (short)	182TC	213TC (short)	213TC	254TC (short)	254TC	
		Motor/pump shaft diameter [mm]	15.9/16	28.6/16	28.6/16	34.9/16	34.9/16	41.2/16	41.2/16
		Description/Kit No	96492114	96492115	96491130	96492116	96491131	96492117	96491132
9	Screw	4	4	4	4	4	4	4	
10	Pin	1	1	1	1	1	1	1	
10a	Coupling half	2	2	2	2	2	2	2	

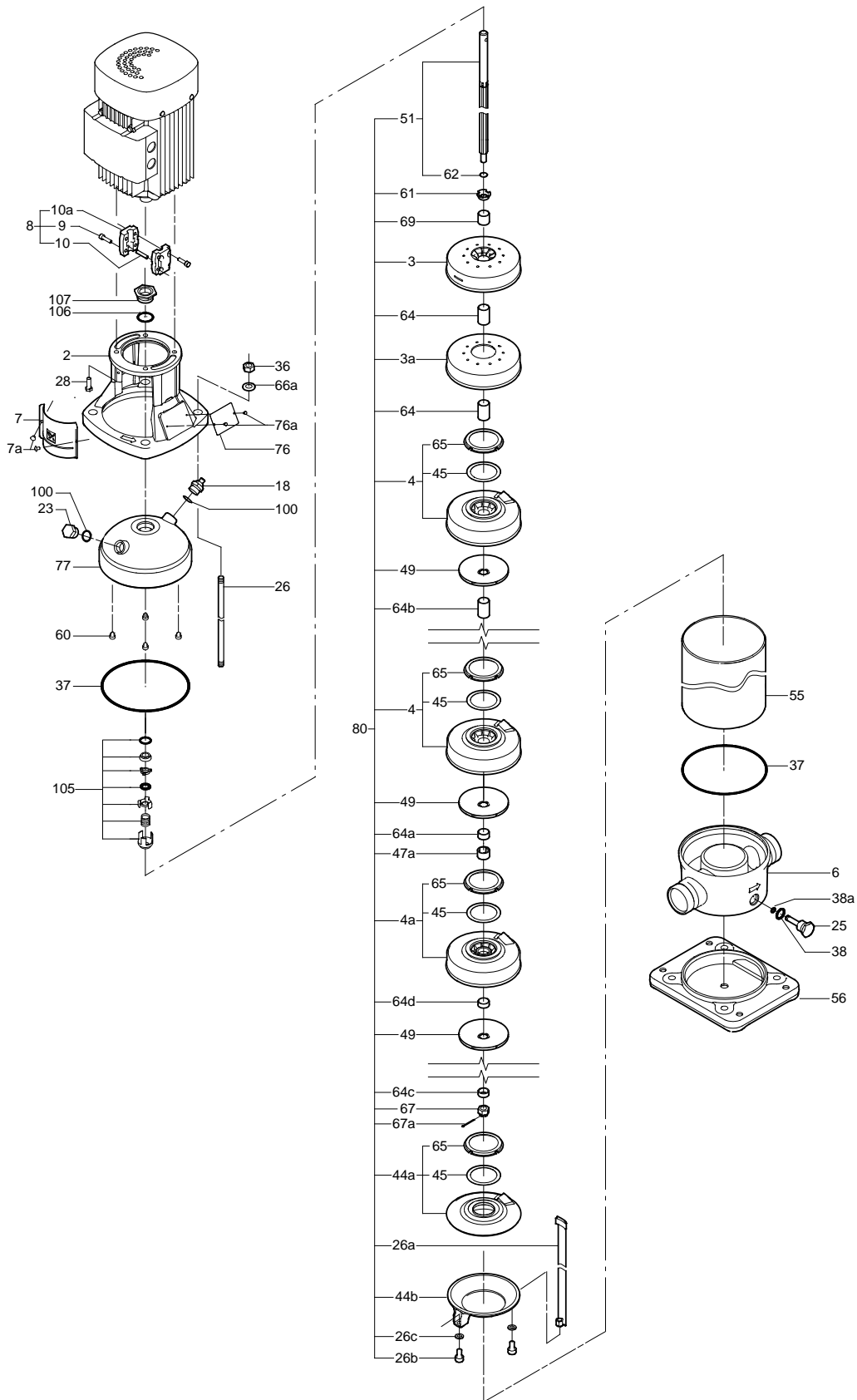
Shaft seal

Pos.	Kit No	96521638	96521639	97788185	98073074	98161845
		Description	AUUE	AUVV	DQQV	DQQK
37	O-ring	2	2	2	2	2
38a	O-ring	1	1	1	1	1
60	Spring	4	4	4	4	4
100	O-ring	3	3	3	3	3
105	Shaft seal	1	1	1	1	1
106	O-ring	1	1	1	1	1

Wear parts

Pos.	Kit No	96521680	96521683	96521681	96521684	96521682	96521685	
		Number of stages	1-6	1-6	10-14	10-14	17-20	17-20
		Description	EPDM	FKM	EPDM	FKM	EPDM	FKM
4a	Bearing chamber	1	1	2	2	3	3	
37	O-ring 170.7 x 3.3	2	2	2	2	2	2	
45	Neck ring	5	5	12	12	17	17	
47a	Bearing ring	1	1	2	2	3	3	
60	Spring	4	4	4	4	4	4	
61	Spacer for shaft seal	1	1	1	1	1	1	
64	Spacing pipe	1	1	1	1	1	1	
65	Neck ring retainer	5	5	12	12	17	17	
67	Lock nut	1	1	1	1	1	1	
67a	Split pin	1	1	1	1	1	1	
100	O-ring 16.3 x 2.4	3	3	3	3	3	3	
106	O-ring 27.5 x 2.75	1	1	1	1	1	1	

CRT 8, All models after 0404 (yyww)



TM02 7783 0904

CRT 16**50/60 Hz, All models before 0405 (yyww)****Chamber stack complete**

Pos.	Consists of items: 3, 3a, 4, 4a, 44, 47a, 49, 51, 61, 64, 64a, 64c, 64d, 67, 67a, 69, 69a		Kit No
	Number of stages		
80	2		336925
	3		336926
	4		336927
	5		336928
	6		336929
	7		336930
	8		336931
	10		336932
	12		336933
	14		336934
	16		336935

Coupling complete

Pos.	Kit No	339124	339128	339138	339142	425261	425262	425263
	Motor/pump shaft diameter [mm]	24/16	28/16	38/16	42/16	28.6/16	34.9/16	41.3/16
	Description				NEMA	NEMA	NEMA	
9	Screw	4	4	4	4	4	4	
10	Pin	1	1	1	1	1	1	
10a	Coupling half	2	2	2	2	2	2	

Shaft seal

Pos.	Kit No	425303	425304
	Description	AUUE	AUUV
37	Sleeve gasket	2	2
78	O-ring	1	1
98	O-ring	1	1
105	Shaft seal	1	1

Wear parts

Pos.	Kit No	96434809	96434810	96434811
	Number of stages	2-6	7-10	12-16
	Description			
4a	Bearing chamber	1	2	3
37	Sleeve gasket	2	2	2
45	Neck ring	5	8	13
47a	Bearing ring	1	2	3
49c	Wear ring	6	10	16
61	Spacer for shaft seal	1	1	1
64c	Spacer	1	1	1
65	Neck ring retainer	5	8	13
67	Lock nut	1	1	1
67a	Split pin	1	1	1
78	O-ring	1	1	1
98	O-ring	1	1	1
100	O-ring	1	1	1

50/60 Hz, All models after 0404 (yyww)

Chamber stack complete

Pos.	Consists of items: 3, 4, 4a, 26a, 26b, 26c, 44a, 44b, 47a, 49, 51, 61, 64, 64a, 64c, 64d, 67, 67a, 69		Kit No
	Number of stages		
80	2		96611231
	3		96611232
	4		96611233
	5		96611234
	6		96611235
	7		96611236
	8		96611237
	10		96611238
	12		96611239
	14		96611240
	17		96611241

O-ring

Pos.	Kit No		96545210
	Description		FFKM
37	O-ring	∅170.7 x 3.3	2
38	O-ring	∅16.3 x 2.4	1
38a	O-ring	∅5.3 x 2.4	1
60	Spring, PTFE		4
100	O-ring	∅16.3 x 2.4	2
106	O-ring	∅27.5 x 2.75	1

Coupling complete

Pos.	Motor type	MG 71	MG 80	MG 90	MG 100/ 112	MG 132 (short)	MG 132	MG 160 (short)	MG 160
	Motor/pump shaft diameter [mm]	14/16	19/16	24/16	28/16	38/16	38/16	42/16	42/16
	Description/ Kit No	339114	339119	339124	339128	96492112	96491088	96492113	96491089
10a	Coupling half	2	2	2	2	2	2	2	2
9	Screw	4	4	4	4	4	4	4	4
10	Pin	1	1	1	1	1	1	1	1

Pos.	Motor type	56C	182TC (short)	182TC	213TC (short)	213TC	254TC (short)	254TC
	Motor/pump shaft diameter [mm]	15.9/16	28.6/16	28.6/16	34.9/16	34.9/16	41.2/16	41.2/16
	Description/Kit No	96492114	96492115	96491130	96492116	96491131	96492117	96491132
10a	Coupling half	2	2	2	2	2	2	2
9	Screw	4	4	4	4	4	4	4
10	Pin	1	1	1	1	1	1	1

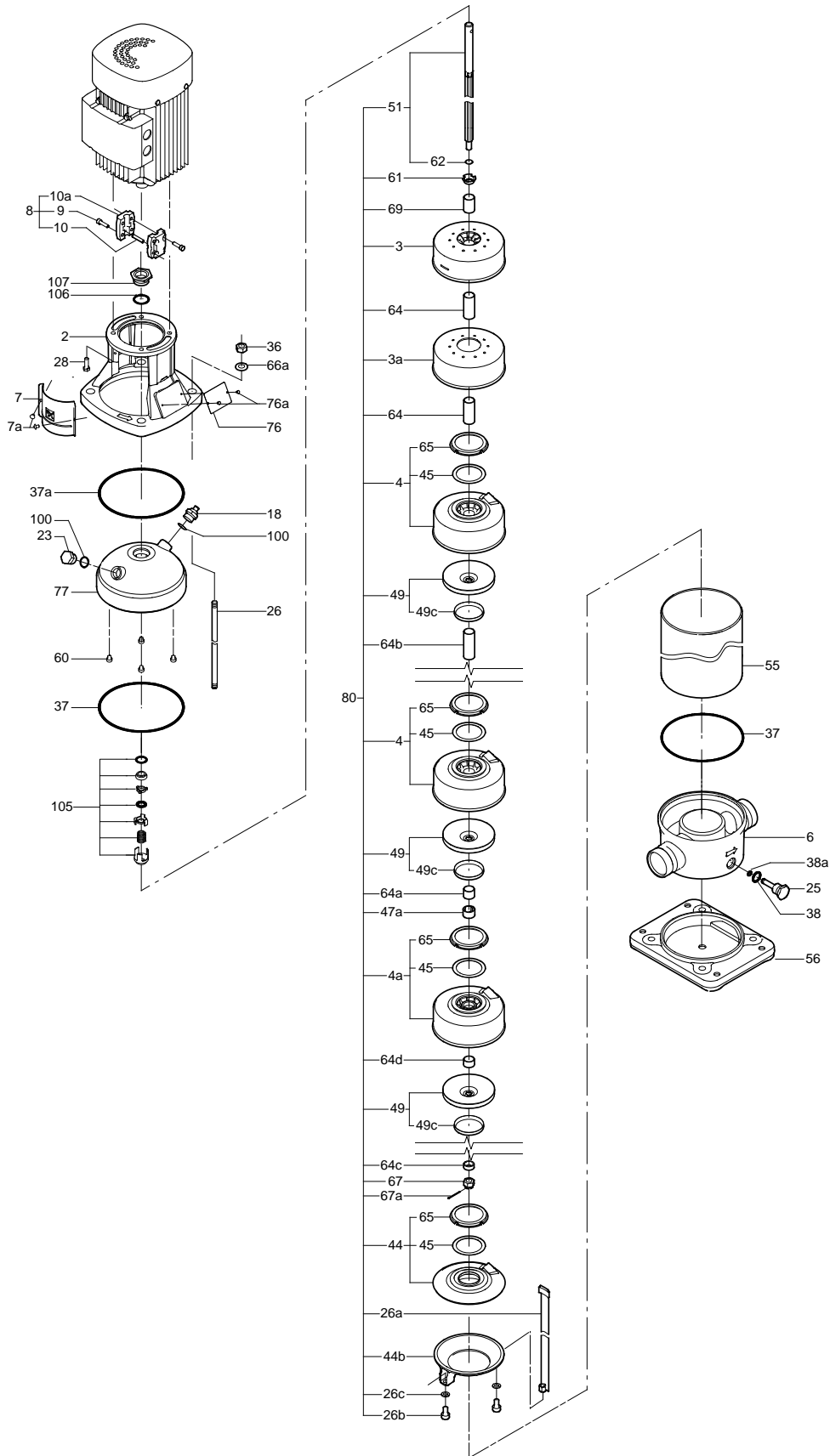
Shaft seal

Pos.	Kit No	96521638	96521639	97788185	98073074	98161845
	Description	AUUE	AUUV	DQQV	DQQK	DQQE
37	O-ring	2	2	2	2	2
38a	O-ring	1	1	1	1	1
60	Spring	4	4	4	4	4
100	O-ring	3	3	3	3	3
105	Shaft seal	1	1	1	1	1
106	O-ring	1	1	1	1	1

Wear parts

Pos.	Kit No	96521686	96521689	96521687	96521690	96521688	96521691
	Number of stages	2-5	2-5	6-10	6-10	12-17	12-17
	Description	EPDM	FKM	EPDM	FKM	EPDM	FKM
4a	Bearing chamber	1	1	2	2	3	3
37	O-ring 170.7 x 3.3	2	2	2	2	2	2
45	Neck ring	4	4	8	8	14	14
47a	Bearing ring	1	1	2	2	3	3
60	Spring	4	4	4	4	4	4
61	Spacer for shaft seal	1	1	1	1	1	1
64c	Spacing pipe	1	1	1	1	1	1
65	Neck ring retainer	4	4	8	8	14	14
67	Lock nut	1	1	1	1	1	1
67a	Split pin	1	1	1	1	1	1
100	O-ring 16.3 x 2.4	3	3	3	3	3	3
106	O-ring 27.5 x 2.75	1	1	1	1	1	1

CRT 16, All models after 0404 (yyww)



CRT 16 CR CRT

TM02 7785 0904