

## 32. Hydro Multi-E

### 50/60 Hz

#### Controller card

Not applicable for Hydro Multi-E systems fitted with permanent-magnet MGE motors.

Pos.	Description	1ph	3ph
	Kit No	97959292	96086148
-	PC board	1	1

#### GENIbus card, external

Pos.	Description / Kit No	96020339
-	PC board	1

#### GENIbus card, internal

Not applicable for Hydro Multi-E systems fitted with permanent-magnet MGE motors.

Pos.	Description / Kit No	96086146
-	PC board	1

#### Level switch

Pos.	Description / Kit No	010184
1	Level switch, 5 m cable	1

#### Non-return valve

Pos.	Description	DN 32	DN 40	DN 50
	Kit No	96637443	96637444	96637445
405	Non-return valve	1	1	1

#### O-ring and gasket

Pos.	Description	CM1/3	CM5	CM10	CM15
	Kit No	97896843	97896844	97896845	97896846
414	O-ring for pump (inlet/outlet)	1	1	1	1
415	Gasket for PJE coupling	1	1	1	1
416	Gasket for manifold	-	-	1	1

#### Sensor

Pos.	Description	1 bar	6 bar	10 bar	16 bar
	Kit No	96637449	96637451	96637452	96637453
461	Pressure sensor 4-20 mA	1	1	1	1

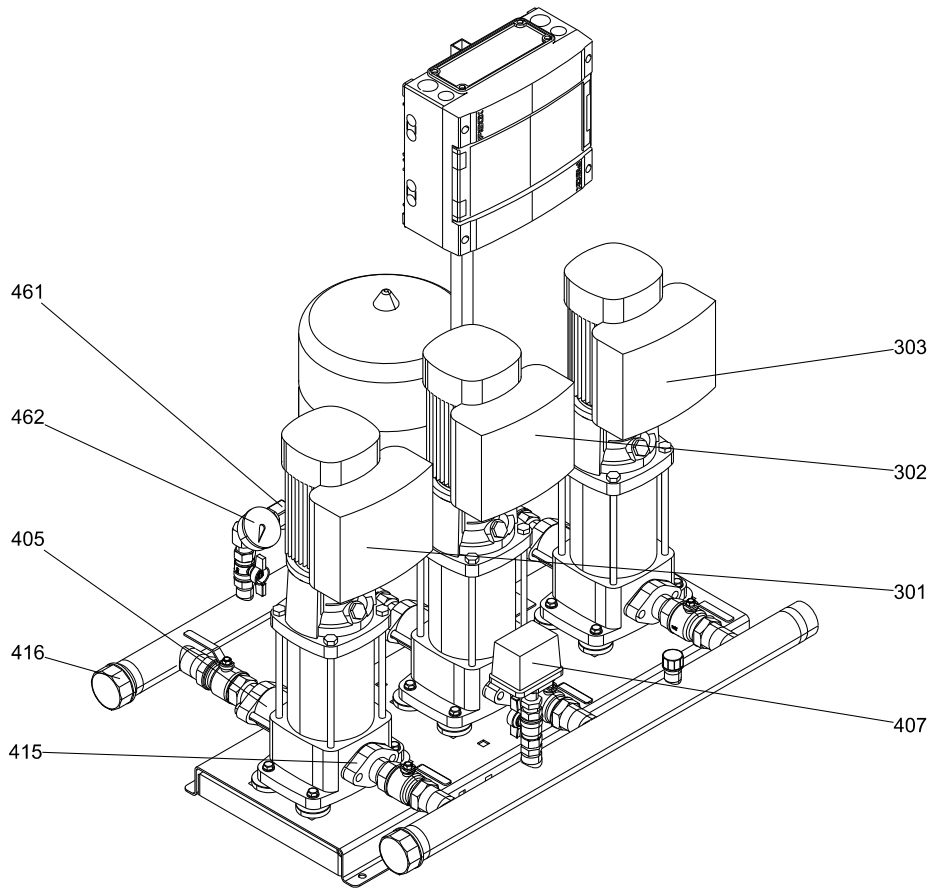
#### Pressure gauge

Pos.	Description	10 bar	16 bar
	Kit No	97896856	97896855
462	Pressure gauge	1	1

#### Pressure switch

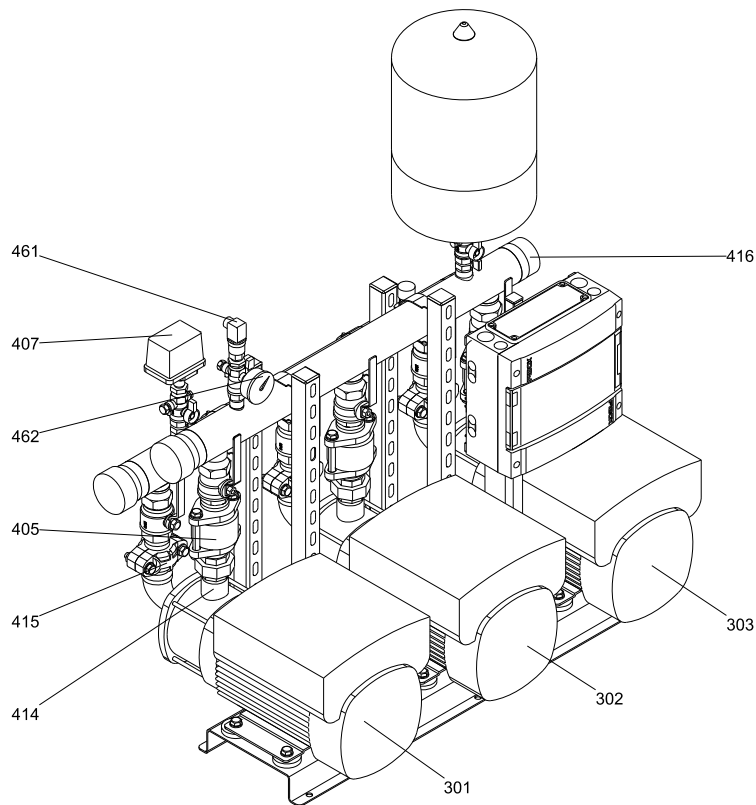
Pos.	Description	1 bar
	Kit No	97896853
407	Pressure switch, 1-phase 2-pole	1

Hydro Multi-E with CR(I)E pumps



TM05 2353 0412

Hydro Multi-E with CME pumps



TM05 2210 0412